

LANAFORM

AIR QUALITY

Dobra

AIR HUMIDIFIER



COLD
MIST

HUMIDIFICATEUR
D'AIR



TOP-
FILLING

LUCHT-
BEVOCHTIGER



2
EMISSION
RATES

LUFT-
BEFEUCHTER



2.5L
CAPACITY

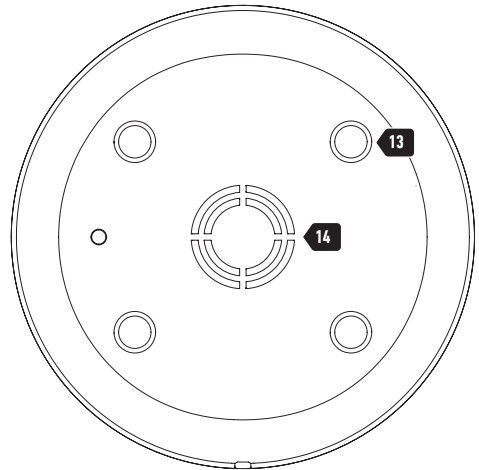
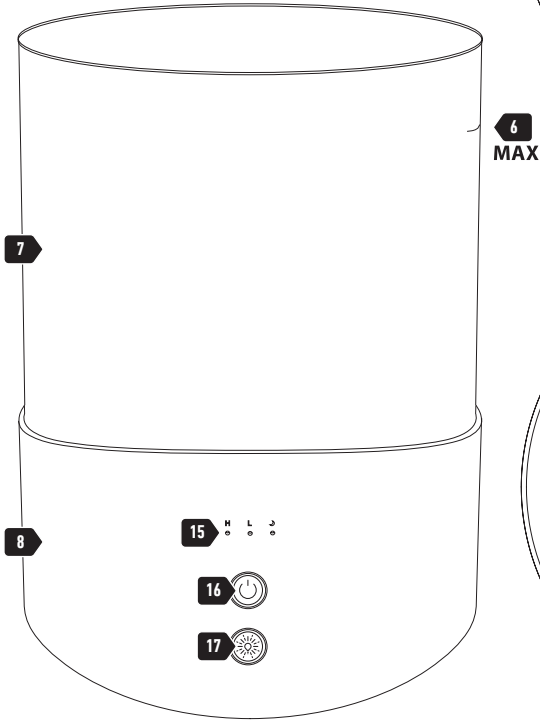
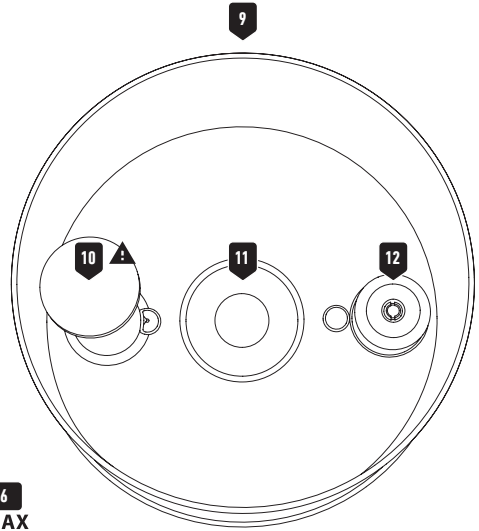
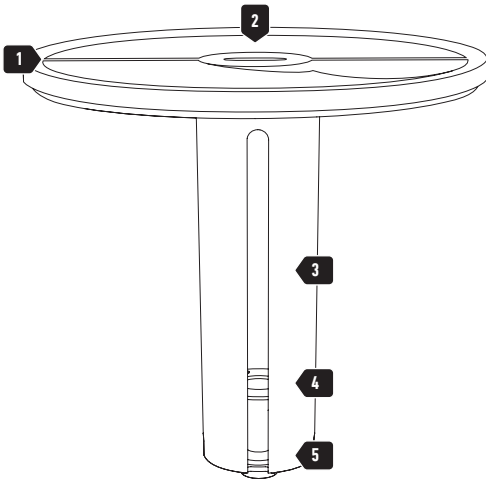
HUMIDIFICADOR
DE AIRE



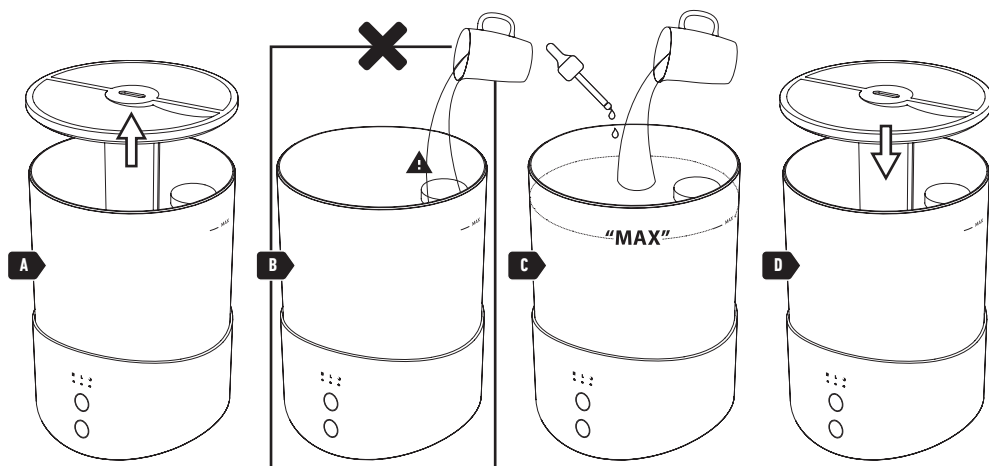
12 HRS.
AUTONOMY

UMIDIFICATORE
D'ARIA

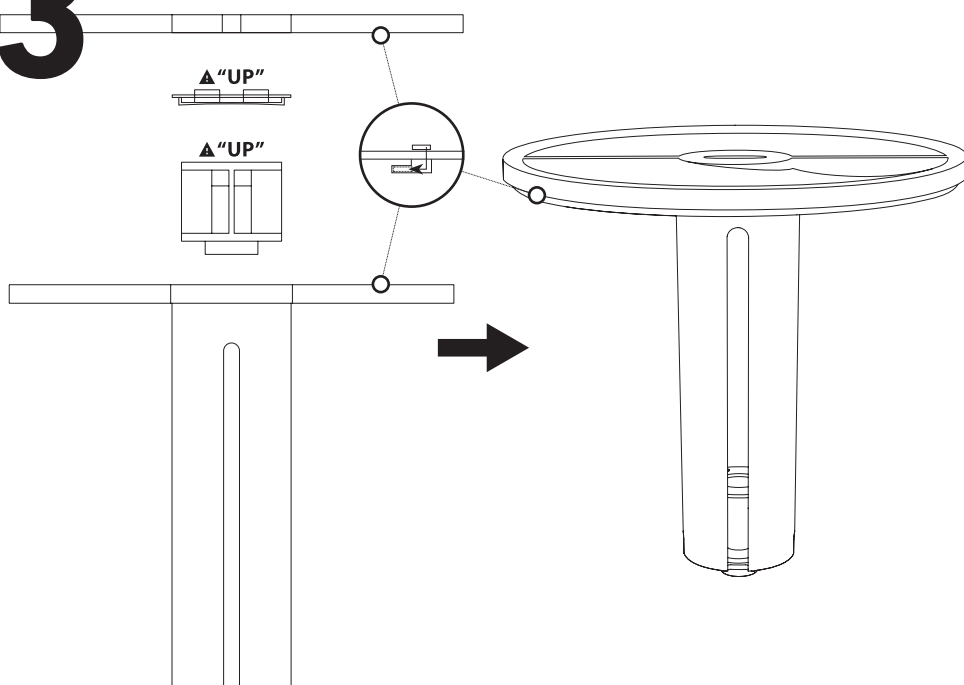
1



2




3




ENGLISH

INTRODUCTION

Thank you for choosing the Dobra cool mist humidifier by LANAFORM. The Dobra humidifier helps you restore a proper humidity level and eliminate the discomfort associated with dry air. The ventilation system diffuses water in the form of cool vapour and thereby provides the required level of humidity.

 The photographs and other images of the product in this manual and on the packaging are as accurate as possible, but do not claim to be a perfect reproduction of the product.


 **Please read all the instructions before using your humidifier, especially this basic safety information.**

This device is not intended for use by people, including children, with reduced physical, sensory or mental capabilities, or people with a lack of experience or knowledge, unless someone responsible for their safety can supervise or instruct them beforehand on how to use the device. Children should be supervised to make sure they do not play with the device.

Use this device only in accordance with the instructions given in this manual.

Check that your mains voltage is the same as that of your device.

Always place the Dobra humidifier on a hard, flat and horizontal surface. Keep it away from walls (at least 15 cm and heat sources such as stoves, radiators, etc.

 **If it is not placed on a horizontal surface, the device may not work properly.**

Do not connect or disconnect the plug of the device with wet hands.

If the power cable is damaged, it must be replaced by a similar cable available from the supplier or the supplier's after-sales department.

Do not leave the device exposed to direct sunlight.

Fill the reservoir with clean, fresh, distilled or demineralised water.

Do not take the device apart either as a whole or even its base unit.

Do not switch on the device when there is no water in the reservoir.

Do not shake the device. This could cause the water to spill over into the base unit and prevent the device from working.

Never touch the water or components when the unit is running.

If there is an unusual smell when the device is being used as described in this manual, switch off the device, unplug it and have it examined by the supplier or the supplier's after-sales department.

Do not pour hot water, i.e. water with a temperature above 40°C, into the reservoir.

Unplug the device before cleaning it or removing the reservoir.

Do not wash the entire unit with water and do not immerse it in water. Consult the cleaning instructions in this manual.

Never scrape the transducer with a hard tool. The Dobra humidifier must be cleaned regularly. To do this, consult the cleaning instructions in this manual and follow them.

If it falls into water, unplug it immediately before retrieving it.

Electrical appliances should never be left unattended when connected. Unplug it when you are not using it.

Keep the power cable away from hot surfaces.

Never use this appliance in a room in which aerosols (sprays) are used or in a room where oxygen is administered.

Use the humidifier only when it is filled with water.

Do not put items of clothing or towels on top of the device. If the vapour emission sprinkler tip is obstructed, this may cause the device to malfunction.

Never point the vapour emission sprinkler tip towards electrical devices, books or wooden objects that may present a risk of mould.

When moving the device, lift it up by the base and not by the water reservoir.

Do not use the humidifier if the air in the room is already sufficiently humid (relative humidity of at least 50%). The ideal relative humidity level for human comfort is between 45% and 55%. Excess humidity manifests itself in condensation on cold surfaces or on cold walls in the room. To measure the room's humidity correctly, use a hygrometer available in most specialist shops and hypermarkets.

The Dobra humidifier is designed for indoor and domestic use only.

Use only the accessories supplied with this device. The use of any unauthorised accessory will not be covered by the warranty.

Always choose quality essential oils that are pure, 100% natural and intended for diffusion. We strongly recommend that you use LANAFORM essential oils for this device. To find out which essential oils are recommended, consult the advice provided in these instructions for use.

COMPONENTS OF THE DEVICE 1]

- 1 Reservoir lid
- 2 Diffuser sprinkler tip
- 3 Mist outlet pipe
- 4 Mist outlet pipe ring
- 5 Mist outlet pipe cover
- 6 Maximum water level
- 7 Reservoir
- 8 Base
- 9 Water outlet
- 10 Exhaust vent
- 11 Transducer
- 12 Water float
- 13 Silicon feet
- 14 Air inlet
- 15 LED indicators
- 16 Touch control:
 - On/Off; Emission intensity; Night Mode
- 17 Atmospheric light

INSTRUCTIONS FOR USE


Before using the humidifier for the first time

Remove the humidifier from its original packaging and make sure that it does not have any faults. If you notice any faults, return the humidifier to the supplier or the supplier's after-sales department.


Put the Dobra humidifier in the room for half an hour before switching it on so that it can adjust to room temperature.


The temperature of the room must always be between 5°C and 30°C, and the temperature of the water must be less than 40°C.



Instructions for use 2]

- Remove the reservoir cover  A).
- Then pour clean, fresh, distilled or demineralised water into the reservoir.



Make sure you do not fill the reservoir by pouring water through the pipe's exhaust vent  B).

Please also make sure you do not exceed the maximum water level marked on the inner wall of the reservoir  C).

- Put the cover back onto the reservoir.
- Make sure your hands are completely dry when connecting and disconnecting the device.
- Once the humidifier is switched on, press the touch control button once  1  16).
- The humidifier is now working.



To ensure optimum diffusion of the mist, the humidifier is fitted with a ring inside the mist

outlet pipe [1 4]. Make sure that this and the closing cover of the mist outlet pipe [1 5] are in the right position. [3]

Adjusting the mist intensity

Press the touch control button [1 16] repeatedly to adjust the emission of cool mist:

- press once: maximum intensity is selected (approximately 150 ml/hr). The LED indicator [1 15] under the symbol "H" lights up.
- Press twice: minimum intensity is selected (approximately 120 ml/hr). The LED indicator [1 15] under the symbol "L" lights up.
- Press 3 times: the humidifier runs on "night" mode. The white atmospheric light is then disabled and the light indicator [1 15] "D" goes out after 3 seconds.

When there is no water left in the reservoir, the humidifier stops and the indicator displays red for 5 seconds. You can also stop it at any time by pressing a fourth time on the touch control button.

Light settings

When the device lights up, it does not emit any atmospheric light by default.

- Press the button that chooses the light mode [1 17] once: a warm white light is activated.
- Then press the button that selects the light mode [1 17] repeatedly to change the temperature of the white light to a neutral then cool white light.
- Press a fourth time and the light will go out.

Important notes

- Use only clean distilled or demineralised water in order to avoid any malfunction.
- Do not pour water into the exhaust pipe [1 10] to prevent any dysfunction and fire risk.
- Make sure you close the reservoir lid [1 11] hermetically.
- The reservoir must be kept clean. If there is any dirt on the vapour emission diffuser sprinkler tip, clean it with a brush or a damp cloth.

▲ Please note: even though there is a safety device that stops the transducer from working, do not leave the device connected when you are not using it.

▲ Additional information about the use of essential oils:

Before using essential oils, please check the harmful effects that use of these products may have on your health.

Always choose quality essential oils that are pure, 100% natural and intended for diffusion. Use them in moderation and with care. Follow the instructions and warnings stated on the packaging of the essential oils, in particular noting that:

- Pregnant women, people with epilepsy, asthmatics and people who suffer from allergies, those with heart problems or serious illnesses should not use essential oils.
- Essential oils should be used only for periods not exceeding 10 minutes in the room of a baby (under 3 years old) and only when the baby is not actually in the room.
- Make sure that children and minors do not play with or use the device.
- Just a few drops (3 to 4 drops at most) of essential oils are sufficient to ensure that the device works properly and the scent is diffused. Excessive use of essential oils could damage the device.
- Make sure you pour water into the reservoir first before adding the drops of essential oils.
- Lanaform cannot be held liable in the event of accidental damage resulting from any use contrary to the instructions given in these instructions for use.

MAINTENANCE AND STORAGE

Always switch off the humidifier before performing any maintenance or storage activities.

If the water contains too much calcium and magnesium, it may deposit a white powder in the device. If this foam is deposited on the transducer [1 11], this will prevent the Dobra humidifier from working properly.

Maintenance

We recommend

- using clean distilled, demineralised or boiled water each time the device is used.
- Cleaning the reservoir every 2 days and cleaning the transducer every week.
- Cleaning the device (see explanations below) and making sure that all of its parts are completely dry when it is not in use.

To clean the reservoir [1 7]

- Clean the basin with water using a soft cloth, and use vinegar if there are any foam or limescale deposits on the inside.
- Rinse the basin in clean water.

To clean the transducer [1 11]

- Place 2 to 5 drops of vinegar on its surface and leave for 2 to 5 minutes.
- Brush the foam off the surface using a soft brush. Do not use a hard tool to scrape the surface.
- Then rinse the reservoir in clean water.

▲ Do not use soap, solvent or spray cleaner to clean the transducer.

To clean the mist outlet pipe [1 3]

- Remove the unit's reservoir cap [1 1].
- Turn the reservoir lid [1 1] in an anti-clockwise direction.
- Remove the mist outlet pipe cap as well as the ring. [1 4 & 5]
- Clean it all with a brush or damp cloth and vinegar if there are any foam or limescale deposits on the inside.
- Position the ring and the mist outlet pipe cap again as indicated on diagram [3].
- Close the reservoir cap by turning it in an anti-clockwise direction, making sure that the notches are correctly inserted into those of the mist outlet pipe.

To clean the diffuser

nozzle of the device [1 2]

- Clean it with a brush or damp cloth.
- Rinse the vapour emission sprinkler tip in clean water.

Storage

If you do not intend using the device for a lengthy period, store the clean, dry humidifier in a cool, dry place out of direct light.

TROUBLESHOOTING

In the event of a malfunction under normal conditions of use, please refer to the following list.

- ⊗ **No operating indicator light, no mist.**
- ⊗ No voltage, no current.
- ⊗ Check whether the device is connected and that there is no mains fault.
- ⊗ **Red indicator light flashing 5 times, no mist.**
- ⊗ No water in the reservoir.
- ⊗ Pour clean, fresh, distilled or demineralised water into the reservoir.
- ⊗ **The mist has an unpleasant odour.**
- ⊗ The device is new.
- ⊗ Drain the water from the reservoir and leave the reservoir to air out for at least 12 hours.
- ⊗ The water is polluted or has been in the reservoir too long.
- ⊗ Unplug the device, drain the water from the reservoir, rinse and clean the reservoir, and fill the reservoir with demineralised or distilled water.

⊖ Low steam intensity.

- ⊕ The steam emission sprinkler tip is obstructed.
- ⊕ Unplug the device and clean the mist emission sprinkler tip.
- ⊕ The water is dirty or has been standing in the reservoir for too long.
- ⊕ Clean the reservoir and fill it with clean, fresh water.

⊖ Unusual noise emitted during operation.

- ⊕ The device is on an unstable or non-flat surface.
- ⊕ Unplug the device and place it on a flat, stable surface.

▲ The following effects are not regarded as malfunctions:

- 1 If your water is particularly hard (contains a lot of minerals), the humidifier may produce a sort of white dust. This is not a malfunction. The solution is to clean the

anti-limescale filter more frequently or to use water that is not as hard.

- 2 If you stand close to the humidifier, you will hear the gurgling of the water and this is normal.
- 3 The device runs very calmly but not entirely quietly. A sound level of less than 35 DB is regarded as normal.



ADVICE REGARDING THE DISPOSAL OF WASTE

All the packaging is composed of materials that pose no hazard for the environment and which can be disposed of at your local sorting centre to be used as secondary raw materials. The cardboard may be disposed of in a paper recycling bin. The packaging film must be taken to your local sorting and recycling centre.

When you have finished using the device, please dispose of it in an environmentally friendly way and in accordance with the law.

LIMITED WARRANTY

LANAFORM guarantees this product against any material or manufacturing defect for a

period of two years from the date of purchase, except in the circumstances described below.

The LANAFORM guarantee does not cover damage caused as a result of normal wear to this product. In addition, the guarantee covering this LANAFORM product does not cover damage caused by abusive or inappropriate or incorrect use, accidents, the use of unauthorized accessories, changes made to the product or any other circumstance, of whatever sort, that is outside LANAFORM's control.

LANAFORM may not be held liable for any type of circumstantial, indirect or specific damage.

All implicit guarantees relating to the suitability of the product are limited to a period of two years from the initial date of purchase as long as a copy of the proof of purchase can be supplied.

On receipt, LANAFORM will repair or replace your appliance at its discretion and will return it to you. The guarantee is only valid through LANAFORM's Service Centre. Any attempt to maintain this product by a person other than LANAFORM's Service Centre will render this guarantee void.

FRANÇAIS

INTRODUCTION

Nous vous remercions d'avoir acheté l'humidificateur à vapeur froide Dobra de LANAFORM. L'humidificateur Dobra vous aide à rétablir un taux d'hygrométrie adéquat et à éliminer les inconforts liés à un air sec. Le système de ventilation diffuse l'eau sous forme de vapeur froide et fournit ainsi le niveau d'humidité souhaité.

⊕ Les photographies et autres représentations du produit dans le présent manuel et sur l'emballage se veulent les plus fidèles possibles mais peuvent ne pas assurer une similitude parfaite avec le produit.

▲ Veuillez lire toutes les instructions avant d'utiliser votre humidificateur, en particulier ces quelques consignes de sécurité fondamentales.

Cet appareil n'est pas prévu pour être utilisé par des personnes, y compris les enfants, dont les capacités physiques, sensorielles ou mentales sont réduites, ou des personnes dénuées d'expérience ou de connaissance, sauf si elles ont pu bénéficier, par l'intermédiaire d'une personne responsable de leur sécurité, d'une surveillance ou d'instructions préalables concernant l'utilisation de l'appareil. Il convient de surveiller les enfants pour s'assurer qu'ils ne jouent pas avec l'appareil.

N'utilisez cet appareil que dans le cadre du mode d'emploi décrit dans ce manuel.

Vérifiez que la tension de votre réseau correspond à celle de l'appareil.

Placez toujours l'humidificateur Dobra sur une surface dure, plane et horizontale. Eloignez-le légèrement des murs (minimum 15 cm et des sources de chaleur telles que les poêles, radiateurs, etc.

▲ S'il n'est pas placé sur une surface horizontale, il se peut que l'appareil ne puisse fonctionner correctement.

Ne branchez pas, ne débranchez pas la fiche électrique de l'appareil avec des mains mouillées.

Si le cordon d'alimentation est endommagé, il doit être remplacé par un cordon similaire disponible auprès du fournisseur ou de son service après-vente.

Ne laissez pas l'appareil exposé directement aux rayons du soleil.

Remplissez le réservoir avec de l'eau propre et fraîche, distillée ou déminéralisée.

Ne démontez ni l'appareil dans son intégralité, ni même son unité de base.

N'allumez pas l'appareil lorsqu'il n'y a pas d'eau dans le réservoir.

Ne secouez pas l'appareil. Cela pourrait faire déborder l'eau dans l'unité de base et affecter son fonctionnement.

Ne touchez jamais l'eau et les composants lorsque l'unité fonctionne.

Si une odeur anormale survient en cours d'utilisation décrite dans le présent manuel, éteignez l'appareil, débranchez-le et faites-le examiner par le fournisseur ou son service après-vente.

Ne versez pas d'eau chaude dans le réservoir, c'est-à-dire avec une température supérieure à 40°C.

Débranchez l'appareil avant de le nettoyer ou d'enlever le réservoir.

Ne lavez pas l'unité complète à l'eau et ne l'immergez pas, reportez-vous aux consignes de nettoyage du présent manuel.

Ne grattez jamais le transducteur à l'aide d'un outil dur. L'humidificateur Dobra doit être nettoyé régulièrement. Pour ce faire, reportez-vous aux consignes de nettoyage du présent manuel et respectez-les.

Débranchez immédiatement un appareil tombé dans l'eau avant de le récupérer.

Un appareil électrique ne doit jamais rester branché sans surveillance. Débranchez-le lorsque vous ne l'utilisez pas.

Eloignez le cordon électrique des surfaces chaudes.

N'utilisez jamais cet appareil dans une pièce où des produits aérosols (sprays) sont employés ou dans une pièce où de l'oxygène est administré.

N'utilisez l'humidificateur que lorsqu'il est rempli d'eau.

Ne placez pas de vêtements ou de serviettes sur le dessus de l'appareil. Si le bec d'émission de vapeur est obstrué, cela peut provoquer un dysfonctionnement de l'appareil.

Nedirigez jamais le bec d'émission devapeurs vers des appareils électriques, livres ou objets en bois pouvant présenter des risques de moisissures.

Lors du déplacement de l'appareil, soulevez-le par la base et non par le réservoir d'eau.

N'utilisez pas l'humidificateur si l'air de la pièce est déjà suffisamment humide (au moins 50 % d'hygrométrie relative). En effet, le taux d'humidité relative idéal pour le confort des êtres humains se situe entre 45 % et 55%. Un excès d'humidité se manifeste par de la condensation sur les surfaces froides ou les murs froids de la pièce. Pour déterminer correctement le taux d'humidité de la pièce, utilisez un hygromètre disponible dans la plupart des magasins spécialisés et en grandes surfaces.

L'humidificateur Dobra est conçu pour un usage intérieur et domestique uniquement.

N'utilisez que les accessoires fournis avec cet appareil. L'usage de tout accessoire non autorisé ne sera pas couvert par la garantie.

Choisissez toujours des huiles essentielles de qualité, pures et 100 % naturelles, destinées à la diffusion. Pour cet appareil, nous vous recommandons fortement d'utiliser les huiles essentielles LANAFORM. Pour ce faire, reportez-vous aux conseils d'utilisation des huiles essentielles du présent manuel.

COMPOSANTS DE L'APPAREIL [■ 1]

- 1 Couvercle du réservoir
- 2 Bec diffuseur
- 3 Tuyau de sortie de vapeur
- 4 Anneau du tuyau de sortie de vapeur
- 5 Couvercle du tuyau de sortie de vapeur
- 6 Niveau maximum d'eau
- 7 Réservoir
- 8 Base
- 9 Sortie d'eau
- 10 Sortie d'air
- 11 Transducteur
- 12 Flotteur d'eau
- 13 Pieds en silicone
- 14 Entrée d'air
- 15 Témoins led
- 16 Contrôle tactile : On/Off ; Intensité d'émission ; Mode Nuit
- 17 Lumière d'ambiance

CONSIGNES D'UTILISATION

Consignes préalable à la première utilisation

Déballiez l'humidificateur de son emballage d'origine et vérifiez que celui-ci ne comporte aucun défaut. En cas de défectuosité constatée, rappelez l'humidificateur auprès du fournisseur ou de son service après-vente.

Placez l'humidificateur Dobra dans la pièce une demi-heure avant de l'allumer afin qu'il s'adapte à la température ambiante.

La température de la pièce doit toujours se situer entre 5°C et 30°C et la température de l'eau inférieure à 40°C.

Mode d'emploi [■ 2]

- Ôtez le couvercle du réservoir [■ A].
- Versez ensuite de l'eau propre et fraîche, distillée ou déminéralisée dans le réservoir.



Veillez à ne pas remplir le réservoir en versant de l'eau par le tuyau de sortie d'air [■ B].

Veillez également à ne pas dépassez la ligne du niveau maximum d'eau inscrite sur la paroi intérieur du réservoir [■ C].

- Remplacez le couvercle du réservoir sur celui-ci.
- Veillez à avoir les mains bien sèches pour brancher et débrancher l'appareil.
- Une fois l'humidificateur sous tension, appuyez une fois sur le bouton de contrôle tactile [■ 1 ■ 16].
- A présent, l'humidificateur est opérationnel.



Afin d'assurer une diffusion optimale de la vapeur, l'humidificateur est pourvu d'un anneau à l'intérieur du tuyau de sortie de vapeur [■ 1 ■ 4]. Veillez à ce que celui-ci ainsi que le couvercle de fermeture du tuyau de sortie de vapeur [■ 1 ■ 5] soient correctement placés. [■ 3]

Réglage de l'intensité de vapeur

Appuyez successivement sur le bouton de contrôle tactile [■ 1 ■ 16] pour régler l'émission de vapeur froide :

- 1ère pression: l'intensité maximum est sélectionnée (environ 150 ml/h). Le témoin led [■ 1 ■ 15] sous le symbole «H» s'illumine.
- 2ème pression: l'intensité minimum est sélectionnée (environ 120 ml/h). Le témoin Led [■ 1 ■ 15] sous le symbole «L» s'illumine.
- 3ème pression: l'humidificateur fonctionne en mode nuit. La fonction de lumière blanche d'ambiance est alors dé-

sactivée et le témoin lumineux [■ 1 ■ 15] « » s'éteint après 3 secondes.

Lorsqu'il n'y a plus d'eau dans le réservoir, l'humidificateur s'arrête et le témoin s'affiche en rouge pendant 5 secondes. Vous pouvez également l'arrêter à tout moment en appuyant une quatrième fois sur le bouton de contrôle tactile.

Réglage de la lumière

Quand l'appareil est allumé, par défaut il n'émet pas de lumière d'ambiance.

- Appuyez sur le bouton de choix du mode lumineux [■ 1 ■ 17] une première fois: une lumière blanche de teinte chaude s'active.
- Appuyez ensuite successivement sur le bouton du choix du mode lumineux [■ 1 ■ 17] pour changer la température de la lumière blanche vers une lumière blanche neutre puis froide.
- Appuyez une quatrième fois: la lumière s'éteint.

Notes importantes

- N'utilisez que de l'eau propre et fraîche, distillée ou déminéralisée afin d'éviter tout dysfonctionnement.
- Ne versez pas d'eau dans le tuyau de sortie d'air [■ 1 ■ 10] afin d'éviter tout dysfonctionnement et risque d'incendie.
- Veillez à fermer hermétiquement le couvercle du réservoir [■ 1 ■ 1].
- Le réservoir doit être maintenu propre. Si il y a de la saleté sur le bec diffuseur d'émission de vapeur, nettoyez-le avec une brosse ou un tissu humide.

▲ Attention: malgré le dispositif de sécurité qui interrompt le fonctionnement du transducteur, évitez de laisser l'appareil sous tension lorsque vous ne l'utilisez pas.

▲ Informations complémentaires relatives à l'utilisation d'huiles essentielles.

Avant d'utiliser les huiles essentielles, veuillez-vous renseigner sur les effets négatifs à l'égard de la santé que peut engendrer l'usage de tels produits.

Choisissez toujours des huiles essentielles de qualité: pures et 100 % naturelles et destinées à la diffusion. Utilisez-les avec modération et précaution. Respectez les indications et les mises en garde mentionnées sur les conditionnements des huiles essentielles en veillant notamment au fait que:

- L'usage des huiles essentielles est interdit pour les femmes enceintes et les sujets épileptiques ou souffrants d'asthme ou d'allergie, les personnes ayant des problèmes de cœur ou des pathologies graves.

- Dans une chambre de bébé (- de 3 ans), seule une utilisation des huiles essentielles ne dépassant pas plus de 10 minutes est autorisée et ce uniquement lorsque le bébé n'est pas présent dans la pièce.
- Veillez à ce que les enfants et les mineurs d'âge ne jouent pas avec l'appareil et ne l'utilisent pas.
- Seules quelques gouttes (3 à 4 gouttes maximum) d'huiles essentielles sont suffisantes en vue d'assurer un bon fonctionnement de l'appareil et la diffusion du parfum. Une utilisation excessive d'huiles essentielles pourrait endommager l'appareil.
- Veillez tout d'abord verser l'eau dans le réservoir avant d'ajouter les gouttes d'huiles essentielles.
- Lanaform ne peut être tenu pour responsable en cas de dommage accidentel résultant de toute utilisation contraire à celles requises dans ce manuel d'utilisation.

ENTRETIEN ET RANGEMENT

Placez toujours l'humidificateur hors tension avant de l'entretenir ou de le ranger.

Si l'eau contient trop de calcium et/ou trop de magnésium, elle peut déposer une poudre blanche dans l'appareil. Si cette écume se dépose sur le transducteur (■ 1 ■ 11), cela empêche l'humidificateur Dobra de fonctionner correctement.

Entretien

Nous recommandons

- 1 D'utiliser de l'eau propre et fraîche, distillée, déminéralisée ou bouillie puis refroidie lors de chaque utilisation.
- 2 De nettoyer le réservoir tous les 2 jours et de nettoyer le transducteur toutes les semaines.
- 3 De nettoyer l'appareil (voir explications ci-dessous) et de s'assurer que toutes ses pièces soient parfaitement sèches lorsqu'il n'est pas en service.

Pour nettoyer le réservoir (■ 1 ■ 7)

- 1 Nettoyez le bassin à l'eau, à l'aide d'un chiffon doux, et au vinaigre s'il y a de l'écume ou des dépôts de calcaire à l'intérieur.
- 2 Rincez le bassin à l'eau claire.

Pour nettoyer le transducteur (■ 1 ■ 11)

- 1 Déposez 2 à 5 gouttes de vinaigre sur sa surface et laissez reposer de 2 à 5 minutes.

- 2 Brossez l'écume de la surface à l'aide d'une brosse douce. N'employez pas d'outil dur pour gratter la surface.
- 3 Rincez ensuite le réservoir à l'eau claire.

▲ N'employez pas de savon, solvant ou agent nettoyant en spray pour nettoyer le transducteur.

Pour nettoyer le tuyau de sortie de vapeur (■ 1 ■ 3)

- 1 Enlever le couvercle du réservoir de l'unité (■ 1 ■ 1).
- 2 Tournez le couvercle du réservoir (■ 1 ■ 1) dans le sens contraire des aiguilles d'une montre.
- 3 Retirez le couvercle du tuyau de sortie de vapeur ainsi que l'anneau. (■ 1 ■ 4 & 5)
- 4 Nettoyez l'ensemble avec une brosse ou un tissu humide et au vinaigre s'il y a de l'écume ou des dépôts de calcaire à l'intérieur.
- 5 Placez à nouveau l'anneau ainsi que le couvercle du tuyau de sortie de vapeur comme indiqué sur le schéma (■ 3).
- 6 Fermez le couvercle du réservoir en tournant celui-ci dans le sens inverse des aiguilles d'une montre et en veillant à ce que les encoches soient correctement insérées dans celles du tuyau de sortie de vapeur.

Pour nettoyer le bec diffuseur de l'appareil (■ 1 ■ 2)

- 1 Nettoyez celle-ci avec une brosse ou un tissu humide.
- 2 Rincez le bec d'émission de vapeur à l'eau claire.

Rangement

Si vous n'avez pas l'intention d'utiliser l'appareil pour une longue période, rangez l'humidificateur nettoyé et séché dans un endroit frais, sec et à l'abri de la lumière.

PANNES ET REMEDES

En cas de dysfonctionnement, dans des conditions normales d'utilisation, veuillez consulter la liste suivante:

- ⊗ **Pas de témoin lumineux de fonctionnement, pas de vapeur.**
 - ⊗ Pas de tension, pas de courant.
 - ⊗ Vérifiez si l'appareil est branché ou s'il n'y a pas de panne au niveau du secteur.
- ⊗ **Témoin lumineux rouge qui clignote 5 fois, pas de vapeur.**
 - ⊗ Pas d'eau dans le réservoir.
 - ⊗ Versez de l'eau propre et fraîche, distillée ou déminéralisée.

⊗ La vapeur à une odeur désagréable.

- ⊗ L'appareil est nouveau.
- ⊗ Videz l'eau du réservoir et laissez-le s'aérer pendant 12h minimum.
- ⊗ L'eau est polluée ou est restée trop longtemps dans le réservoir.
- ⊗ Débranchez l'appareil, videz l'eau du réservoir, rincez et nettoyez le réservoir et remplissez ce dernier avec de l'eau déminéralisée ou distillée.

⊗ Intensité de vapeur faible.

- ⊗ Le bec d'émission de vapeur est obstrué.
- ⊗ Débranchez l'appareil et nettoyez le bec d'émission de vapeur.
- ⊗ L'eau est sale ou depuis trop longtemps dans le réservoir.
- ⊗ Nettoyez le réservoir et remplissez-le d'eau propre et fraîche.

⊗ Emission de bruit anormal pendant le fonctionnement.

- ⊗ L'appareil est placé sur une surface non stable ou non plane.
- ⊗ Débranchez l'appareil et placez-le sur une surface plane et stable.

▲ Les effets suivants ne sont pas considérés comme des dysfonctionnements :

- 1 Si votre eau est particulièrement dure (contient beaucoup de minéraux), l'humidificateur peut produire une sorte de poussière blanche. Cela n'est pas un dysfonctionnement. La solution est de nettoyer le filtre anti-calcaire plus souvent ou d'utiliser de l'eau moins dure.
- 2 Si vous vous tenez près de l'humidificateur, vous entendrez le gargouillement de l'eau et cela est normal.
- 3 L'appareil fonctionne très calmement mais pas de manière complètement silencieuse. Un niveau de bruit de moins de 35 DB est considéré comme normal.



CONSEILS RELATIFS À L'ÉLIMINATION DES DÉCHETS

L'emballage est entièrement composé de matériaux sans danger pour l'environnement qui peuvent être déposés auprès du centre de tri de votre commune pour être utilisés comme matières secondaires. Le carton peut être placé dans un bac de collecte papier. Les films d'emballage doivent être remis au centre de tri et de recyclage de votre commune.

Lorsque vous ne vous servez plus de l'appareil, éliminez-le de manière respectueuse de l'environnement et conformément aux directives légales.

GARANTIE LIMITÉE

LANAFORM garantit que ce produit est exempt de tout vice de matériau et de fabrication à compter de sa date d'achat et ce pour une période de deux ans, à l'exception des précisions ci-dessous.

La garantie LANAFORM ne couvre pas les dommages causés suite à une usure normale de ce produit. En outre, la garantie sur ce produit LANAFORM ne couvre pas les dommages causés à la suite de toute utilisation

abusives ou inappropriée ou encore de tout mauvais usage, accident, fixation de tout accessoire non autorisé, modification apportée au produit ou de toute autre condition, de quelle que nature que ce soit, échappant au contrôle de LANAFORM.

LANAFORM ne sera pas tenue pour responsable de tout type de dommage accessoire, consécutif ou spécial.

Toutes les garanties implicites d'aptitude du produit sont limitées à une période de deux

années à compter de la date d'achat initiale pour autant qu'une copie de la preuve d'achat puisse être présentée.

Dès réception, LANAFORM réparera ou remplacera, suivant le cas, votre appareil et vous le renverra. La garantie n'est effectuée que par le biais du Centre Service de LANAFORM. Toute activité d'entretien de ce produit confiée à toute personne autre que le Centre Service de LANAFORM annule la présente garantie.

NEDERLANDS

INLEIDING

Hartelijk dank voor uw aankoop van Dobra, de luchtbevochtiger met koude damp van LANAFORM. De bevochtiger Dobra helpt u om een geschikte luchtvochtigheidsgraad te bereiken en de ongemakken van een droge lucht te voorkomen. Het ventilatiesysteem verspreidt het water in de vorm van koude damp om de gewenste vochtigheidsgraad te bereiken.

De foto's en andere voorstellingen van het product in deze handleiding en op de verpakking zijn zo accuraat mogelijk. De kans bestaat echter dat de gelijkenis met het product niet perfect is.

▲ Lees alle instructies vóór ingebruikname van de luchtbevochtiger, in het bijzonder deze essentiële veiligheidsvoorschriften.

Dit apparaat is niet bestemd voor gebruik door personen, inclusief kinderen, met een verminderd fysiek, zintuiglijk of mentaal vermogen, of door personen zonder ervaring of kennis, tenzij zij onder toezicht staan van een persoon die verantwoordelijk is voor hun veiligheid of zij vooraf instructies hebben gekregen over het gebruik van het apparaat. Zorg ervoor dat kinderen niet met het apparaat kunnen spelen.

Gebruik dit apparaat alleen voor de toepassing die in deze handleiding wordt beschreven.

Controleer of de netspanning overeenkomt met die van het apparaat.

Plaats de luchtbevochtiger Dobra altijd op een hard, vlak en horizontaal oppervlak. Houd het apparaat een beetje (minimaal 15 cm verwijderd van muren en warmtebronnen zoals kachels, radiatoren enz.

▲ Als het apparaat niet op een horizontaal oppervlak staat, dan is het mogelijk dat het apparaat niet correct functioneert.

Steek de stekker van het apparaat niet in het stopcontact of verwijder hem niet met natte handen.

Als het snoer beschadigd is, dan moet het vervangen worden door een gelijkwaardig snoer dat verkrijgbaar is bij de leverancier of zijn klantendienst.

Stel het apparaat niet bloot aan rechtstreeks zonlicht.

Vul het reservoir met schoon en vers, gedistilleerd of gedemineriseerd water.

Demonteer noch het apparaat zelf, noch de basis.

Schakel het apparaat niet in als er geen water in het reservoir zit.

Schud het apparaat niet. Hierdoor zou er water in de basis kunnen lopen, wat de werking van het apparaat zou kunnen schaden.

Raak nooit het water of de onderdelen aan wanneer het apparaat in werking is.

Als u een abnormale geur waarneemt tijdens het gebruik zoals voorgeschreven in deze handleiding, schakel het apparaat dan uit, haal de stekker uit het stopcontact en laat het nakijken door de leverancier of zijn klantenservice.

Giet geen warm water in het reservoir, dat wil zeggen: water van meer dan 40°C.

Haal de stekker uit het stopcontact voor u het apparaat schoonmaakt of het reservoir verwijdert.

Was het volledige apparaat niet in water en dompel het niet onder. Raadpleeg de reinigingsinstructies in deze handleiding.

Schraap nooit over de omzetter met een hard voorwerp. De luchtbevochtiger Dobra moet regelmatig worden schoongemaakt. Raadpleeg en volg hiervoor de reinigingsinstructies in deze handleiding.

Als het apparaat in water valt, trek dan eerst de stekker uit het stopcontact voordat u het apparaat uit het water haalt.

Laat een elektrisch apparaat nooit onbeveiligd aangesloten op het stroomnet. Haal

de stekker uit het stopcontact wanneer u het apparaat niet gebruikt.

Houd de stroomkabel uit de buurt van warme oppervlakken.

Gebruik dit apparaat nooit in ruimten waar producten uit spuitbussen (sprays) worden gebruikt of waar zuurstof wordt toegediend.

Gebruik de bevochtiger alleen als hij gevuld is met water.

Plaats geen kleding of handdoeken op het apparaat. Als de verstuiver is geblokkeerd, kan dit leiden tot een slechte werking van het apparaat.

Richt de verstuiver nooit naar elektrische apparaten, boeken of houten voorwerpen want dat kan schimmelvorming veroorzaken.

Til het apparaat op aan de basis om het te verplaatsen, en niet aan het waterreservoir.

Gebruik de luchtbevochtiger niet als de luchtvochtigheid in de kamer al voldoende hoog is (minstens 50% relatieve luchtvochtigheid). De ideale luchtvochtigheidsgraad voor de mens ligt immers tussen 45 en 55%. Een te hoge luchtvochtigheid leidt tot condensatie op koude oppervlakken of koude muren in de kamer. Om de luchtvochtigheidsgraad van een kamer te bepalen gebruikt u een vochtigheidsmeter. Dit apparaat is verkrijgbaar in de meeste speciaalzaken en grootwarenhuizen.

De luchtbevochtiger Dobra is uitsluitend bestemd voor particulier gebruik binnenshuis.

Gebruik enkel de hulpstukken die met dit apparaat zijn meegeleverd. De garantie vervalt bij gebruik van andere, niet toegelaten hulpstukken.

Gebruik altijd etherische oliën van goede kwaliteit: puur en 100% natuurlijk, bestemd voor verspreiding. Voor dit apparaat bevelen wij u ten sterkste aan om de etherische oliën van LANAFORM te gebruiken. Raadpleeg de gebruiksaanwijzingen voor etherische oliën in deze handleiding voor meer informatie.

ONDERDELEN VAN HET APPARAAT [1]

- 1 Deksel van het reservoir
- 2 Verstuiver
- 3 Dampuitlaat
- 4 Ring van de dampuitlaat
- 5 Deksel van de dampuitlaat
- 6 Hoogste waterpeil
- 7 Reservoir
- 8 Basis
- 9 Wateraftapplug
- 10 Luchtuitlaat
- 11 Omzetter
- 12 Watervlotter
- 13 Siliconen voet
- 14 Luchtgang
- 15 Ledcontrolelampjes
- 16 Bediening met aanraakknop: On/Off; Emissiesterkte; Nacht modus
- 17 Sfeerlicht

GBRUIKSVOORSCHRIFTEN

Voorzorgsmaatregelen vóór het eerste gebruik

Neem de bevochtiger uit zijn oorspronkelijke verpakking en controleer of hij geen gebreken vertoont. Als u een gebrek vaststelt, laat de luchtbevochtiger dan controleren bij de leverancier of bijbehorende klantenservice.

Zet de luchtbevochtiger Dobra een half uur op voorhand in de ruimte waar u het apparaat zult gebruiken, zodat het zich kan aanpassen aan de omgevingstemperatuur.

De kamertemperatuur moet altijd tussen 5°C en 30°C zijn en de watertemperatuur lager dan 40°C.

Gebruiksaanwijzing [2]

- Neem het deksel van het reservoir weg [1 A].
- Giet vervolgens schoon en vers, gedistilleerd of gedemineraliseerd water in het reservoir.



Vul het reservoir niet door water in de luchtuitlaat te gieten [1 B].

Let er ook op om onder het streepje van het hoogste waterpeil te blijven, aangeduid op de binnenkant van het reservoir [1 C].

- Plaats het deksel van het reservoir terug.
- Controleer of uw handen goed droog zijn voordat u de stekker van het apparaat in het stopcontact steekt of uit het stopcontact haalt.
- Als de bevochtiger is aangesloten, drukt u eenmaal op de aanraakknop [1 16].
- De bevochtiger is nu klaar voor gebruik.



Om een optimale verdeling van de damp te verzekeren, is de bevochtiger voorzien

van een ring binnenin de dampuitlaat [1 4]. Let erop dat die correct wordt geplaatst, samen met het deksel om de dampuitlaat af te sluiten. [1 3]

Regeling van de dampsterkte

Druk achtereenvolgens op de aanraakknop om de verstuiving van koude damp in te stellen. [1 16]

- 1e druk: de maximale sterkte wordt geselecteerd (ongeveer 150 ml/h). Het ledlampje [1 15] onder het symbool "H" licht op.
- 2e druk: de minimale sterkte wordt geselecteerd (ongeveer 120 ml/h). Het ledlampje [1 15] onder het symbool "L" licht op.
- 3e druk: de luchtbevochtiger werkt in nachtmodus. De functie voor wit sfeerlicht wordt dan uitgeschakeld en het controlelampje [1 15] " " dooft uit na 3 seconden.

Als er geen water meer in het reservoir is, stopt de bevochtiger en wordt het controlelampje rood gedurende 5 seconden. U kunt het apparaat ook op elk moment uitschakelen door een vierde keer op de aanraakknop te drukken.

Lichtregeling

Wanneer het apparaat is ingeschakeld, zendt het standaard geen sfeerlicht uit.

- Druk een eerste keer op de knop om de lichtmodus te kiezen [1 17]: een warm wit licht wordt geactiveerd.
- Druk daarna achtereenvolgens op de knop om de lichtmodus te kiezen [1 17] om de temperatuur van het witte licht te wijzigen in een neutraal en vervolgens koud wit licht.
- Druk een vierde keer en het licht dooft uit.

Belangrijke opmerkingen

- Gebruik alleen schoon en vers, gedistilleerd of gedemineraliseerd water om storingen te voorkomen.
- Giet geen water in de wateruitlaat [1 3] om storingen en het risico op brand te voorkomen.
- Let erop dat het deksel van het reservoir hermetisch afgesloten is [1 1].
- Het reservoir moet regelmatig worden schoongemaakt. Als de verstuiver vuil is, reinig hem dan met een borstel of een vochtige doek.

▲ Opgelet: ondanks de veiligheidsfunctie die de werking van de omzetter onderbreekt, haalt u de stekker best uit het stopcontact wanneer u het apparaat niet gebruikt.

▲ Aanvullende informatie in verband met het gebruik van essentiële oliën:

Voordat u etherische oliën gebruikt, moet u zich informeren over de schadelijke gevolgen voor de gezondheid die dergelijke producten kunnen hebben.

Gebruik altijd etherische oliën van goede kwaliteit: puur en 100% natuurlijk, ontwikkeld voor verspreiding. Gebruik ze voorzichtig en met mate. Neem de aanwijzingen en waarschuwingen op de verpakkingen van etherische oliën in acht, met extra aandacht voor het volgende:

- Het gebruik van etherische oliën is verboden voor zwangere vrouwen, epilepsie-, astma- of allergiepatiënten en mensen met hartproblemen of ernstige aandoeningen.
- In een babykamer (-3 jaar) mogen etherische oliën niet langer dan 10 minuten worden gebruikt en alleen wanneer de baby niet in de kamer aanwezig is.
- Zorg ervoor dat kinderen en minderjarigen niet met het apparaat spelen en het niet gebruiken.
- Enkele druppels (maximaal 3-4) etherische olie volstaan voor een goede werking van het apparaat en de verspreiding van de geur. Overmatig gebruik van etherische oliën kan het apparaat beschadigen.
- Giet het water eerst in het reservoir en voeg pas dan de druppels etherische olie toe.
- Lanaform kan niet aansprakelijk worden gesteld voor incidentele schade als gevolg van gebruik dat in strijd is met de voorschriften in deze handleiding.

ONDERHOUD EN OPBERGING

Haal de stekker van de bevochtiger uit het stopcontact voordat u een onderhoud uitvoert of hem opbergt.

Als het water te veel calcium en/of te veel magnesium bevat, kan het een wit poeder achterlaten in het apparaat. Als deze witte laag zich afzet op de omzetter [1 11], dan kan de bevochtiger Dobra niet correct functioneren.

Onderhoud

Aanbevelingen

- 1 Gebruik schoon en vers, gedistilleerd, gedemineraliseerd of gekookt en vervolgens afgekoeld water bij elk gebruik.
- 2 Maak het reservoir om de 2 dagen schoon, en reinig de omzetter elke week.
- 3 Maak het toestel schoon (zie uitleg hieronder) en controleer of alle onderdelen perfect droog zijn wanneer het toestel niet is ingeschakeld.

Voor het schoonmaken van het reservoir [1 7]

- 1 Maak het waterreservoir schoon met een zachte doek en gebruik

- zijn als er schuim- of kalkafzetting aan de binnenkant aanwezig is.
- 2 Spoel het reservoir met helder water.

De omzetter [1] [11]

schoonmaken

- 1 Giet 2 tot 5 druppels azijn op de omzetter en laat 2 tot 5 minuten inwerken.
- 2 Borstel de witte afzetting van het oppervlak met een zachte borstel. Gebruik geen harde voorwerpen om over het oppervlak te schrapen.
- 3 Spoel het reservoir dan met helder water.

▲ Gebruik geen zeep, oplosmiddel of schoonmaakmiddel in sprayvorm om de omzetter schoon te maken.

Om de dampuitlaat [1]

[3] te reinigen

- 1 Neem het deksel van het reservoir van de eenheid weg [1] [11].
- 2 Draai het deksel van het reservoir [1] [11] in tegenwijzerzin.
- 3 Neem het deksel van de dampuitlaat weg en vervolg de ring. [1] [4 & 5]
- 4 Reinig het geheel met een borstel of een zachte doek en met azijn als er binnenin schuim of kalkafzettingen aanwezig zijn.
- 5 Plaats de ring en het deksel van de dampuitlaat terug zoals aangeduid in schema [3].
- 6 Sluit het deksel van het reservoir door het in tegenwijzerzin te draaien en let erop dat de inkepingen correct passen in die van de dampuitlaat.

De verstuiver van het apparaat

[1] [2] schoonmaken

- 1 Maak de verstuiver schoon met een borstel of vochtige doek.
- 2 Spoel de verstuiver met proper water.

Opbergen

Als u het apparaat langere tijd niet gebruikt, berg de luchtbevochtiger dan schoongemaakt en afgedroogd op een koele, droge plaats, beschermd tegen licht.

STORINGEN EN OPLOSSINGEN

Bij slechte werking onder normale gebruiksomstandigheden kunt u de volgende tabel raadplegen:

⊖ Geen powercontrolelampje, geen verdamping.

- ⊕ Geen spanning, geen stroom.
- ⊖ Controleer of de stekker in het stopcontact zit en of er geen stroomonderbreking is.

⊖ Rood controlelampje dat 5 keer knippert, geen verdamping.

- ⊕ Geen water in het reservoir.
- ⊖ Giet schoon en vers, gedistilleerd of gedemineriseerd water in het reservoir.

⊖ De damp heeft een onaangename geur.

- ⊕ Het apparaat is nieuw.
- ⊖ Maak het reservoir leeg en laat het minstens 12 uur verluchten.
- ⊕ Het water is vervuild of is te lang in het reservoir blijven staan.
- ⊖ Haal de stekker van het apparaat uit het stopcontact, spoel en reinig het reservoir en vul het opnieuw met gedemineriseerd of gedistilleerd water.

⊖ Zwakke verdamping.

- ⊕ De verstuiver is verstopt.
- ⊖ Haal de stekker van het apparaat uit het stopcontact en maak de verstuiver schoon.
- ⊕ Het water is vuil of is te lang in het reservoir blijven staan.
- ⊖ Maak het reservoir schoon en vul het met schoon en vers water.

⊖ Abnormaal geluid tijdens de werking.

- ⊕ Het apparaat staat op een niet-stabiel of oneffen oppervlak.
- ⊖ Haal de stekker van het apparaat uit het stopcontact en plaats het op een vlak en stabiel oppervlak.

▲ De volgende verschijnselen worden niet beschouwd als gebrekkige werking:

- 1 Als uw drinkwater bijzonder hard is (veel mineralen bevat), kan op de bevochtiger een witachtige stof ontstaan. Dat is geen gebrekkige werking. De oplossing is de antikalkfilter vaker schoonmaken of minder hard water gebruiken.
- 2 Als u dichtbij de bevochtiger staat, hoort u het water borrelen en dat is normaal.
- 3 Het apparaat werkt zeer stil maar produceert steeds een zacht geluid. Een geluidsniveau van minder dan 35 DB is normaal.

ADVIES OVER AFVALVERWIJDERING

De verpakking is volledig samengesteld uit milieuvriendelijke materialen die afgeleverd kunnen worden in het sorteercentrum van uw gemeente om gebruikt te worden als secundaire materialen. Het karton mag in een inzamelingscontainer voor papier geplaatst worden. De verpakkingsfolie kan ingeleverd worden bij het sorteer- en recyclagecentrum van uw gemeente.

Wanneer u het toestel niet langer gebruikt, dient u dit op milieuvriendelijke wijze en overeenkomstig de wettelijke richtlijnen te verwijderen.

BEPERKTE GARANTIE

LANAFORM garandeert dat dit product geen onderdelen met gebreken en fabricagefouten bevat voor een periode van twee jaar vanaf de aankoopdatum, met uitzondering van de onderstaande gevallen.

LANAFORM dekt geen schade veroorzaakt door een normale slijtage van dit product.

Deze garantie op een product van LANAFORM dekt geen schade, veroorzaakt door een slecht of verkeerd gebruik van het toestel, een ongeluk, het bevestigen van niet-toegestane toebehoren, het aanpassen van het product of om het even welke andere omstandigheid, van welke aard ook, waar LANAFORM geen controle over heeft.

LANAFORM kan niet aansprakelijk worden gesteld voor gevolgschade, niet-rechtstreekse schade of specifieke schade van welke aard ook.

Alle garanties die impliciet te maken hebben met de geschiktheid van het product zijn beperkt tot een periode van twee jaar, te rekenen vanaf de oorspronkelijke aankoopdatum in zover een aankoopbewijs voorgelegd kan worden.

Na ontvangst zal LANAFORM het toestel herstellen of vervangen, naargelang het geval, en zal het u nadien ook terugsturen. De garantie wordt enkel uitgeoefend via het LANAFORM Service Center. Elke onderhoudsactiviteit op dit product die wordt toevertrouwd aan elke andere persoon dan iemand van het LANAFORM Service Center annuleert deze garantie.

DEUTSCH

EINLEITUNG

Sie haben sich für den Kauf des Kalt-dampf-Luftbefeuchters Dobra von LANAFORM entschieden – vielen Dank für Ihr Vertrauen. Der Dobra-Luftbefeuchter sorgt für eine ideale Luftfeuchtigkeit und verhindert dadurch Probleme, die durch trockene Umgebungsluft herbeigeführt werden. Das Belüftungssystem verbreitet Wasser in Form von Kaldampf und erzeugt so den gewünschten Luftfeuchtigkeitsgehalt.

Die in diesem Benutzerhandbuch und auf der Verpackung enthaltenen Fotos und anderen Abbildungen des Produkts sind so wirklichkeitsgetreu wie möglich, es kann jedoch keine vollkommene Übereinstimmung mit dem tatsächlichen Produkt gewährleistet werden.

Lesen sie bitte alle anweisungen, bevor sie ihren luftbefeuchter verwenden, insbesondere diese grundlegenden sicherheitsanweisungen.

Personen (einschließlich Kinder), die aufgrund ihrer physischen, sensorischen oder geistigen Fähigkeiten oder ihrer Unerfahrenheit bzw. Unkenntnis nicht in der Lage sind, das Gerät sicher zu benutzen, sollten es nicht ohne Aufsicht oder Anweisung durch eine verantwortliche Person verwenden. Kinder müssen beaufsichtigt werden, um sicherzustellen, dass sie nicht mit dem Gerät spielen.

Dieses Gerät darf nur auf die in dieser Anleitung beschriebene Weise verwendet werden.

Stellen Sie sicher, dass Ihre Netzspannung für das Gerät geeignet ist.

Der Luftbefeuchter Dobra muss immer auf einer harten, ebenen und waagrecht Oberfläche aufgestellt werden. Platzieren Sie das Gerät mit mindestens 15 cm Abstand zu Wänden und Hitzequellen, wie z. B. Öfen, Heizkörpern usw.

Wenn sich das Gerät nicht auf einer waagerechten Oberfläche befindet, ist es möglich, dass es nicht einwandfrei funktioniert.

Der Netzstecker darf nicht mit feuchten Händen angeschlossen bzw. aus der Steckdose entfernt werden.

Falls das Netzkabel beschädigt ist, muss es durch ein gleiches, beim Hersteller oder seinem Kundendienst erhältliches Kabel ersetzt werden.

Das Gerät darf nicht direkter Sonnenbestrahlung ausgesetzt werden.

Der Wassertank darf nur mit sauberem und frischem, destilliertem oder demineralisiertem Wasser befüllt werden.

Bauen Sie das Gerät nicht auseinander, auch nicht das Unterteil.

Schalten Sie das Gerät nicht ohne Wasser im Tank an.

Schütteln Sie das Gerät nicht. Auf diese Weise könnte Wasser in das Unterteil gelangen und die Funktionsweise beeinträchtigt werden.

Fassen Sie weder das Wasser noch die Geräteteile während des Betriebs an.

Wenn es bei Betrieb gemäß dieser Bedienungsanleitung zu einer ungewöhnlichen Geruchsentwicklung kommt, schalten Sie das Gerät aus, ziehen Sie den Netzstecker und lassen Sie es vom Händler oder dessen Kundendienst untersuchen.

Füllen Sie kein heißes Wasser in den Wassertank ein, d. h. die Temperatur darf nicht über 40 °C betragen.

Vor dem Reinigen oder Entfernen des Wassertanks muss der Netzstecker aus der Steckdose gezogen werden.

Reinigen Sie nicht das gesamte Gerät mit Wasser und tauchen Sie es nicht in Wasser ein. Bitte beachten Sie die in dieser Bedienungsanleitung aufgeführten Reinigungshinweise.

Bearbeiten Sie den Transduktor nicht mit einem harten Gegenstand. Der Luftbefeuchter Dobra muss regelmäßig gereinigt werden. Bitte beachten Sie diesbezüglich die im Rahmen dieser Bedienungsanleitung aufgeführten Reinigungshinweise.

Bevor Sie ein Gerät, das ins Wasser gefallen ist, wieder herausholen, muss der Netzstecker unbedingt aus der Steckdose gezogen werden!

Ein Elektrogerät darf ohne Aufsicht niemals am Stromnetz angeschlossen bleiben. Ziehen Sie bei Nichtbenutzung des Geräts den Netzstecker aus der Steckdose.

Halten Sie das Netzkabel fern von heißen Oberflächen.

Verwenden Sie dieses Gerät niemals in einem Raum, in dem Aerosolprodukte (Sprays) benutzt werden, oder in einem Zimmer, in dem Sauerstoff verabreicht wird.

Benutzen Sie den Luftbefeuchter nur mit gefülltem Wassertank.

Das Gerät nicht mit Kleidungsstücken oder Handtüchern bedecken. Ein verstopfter Dampfauslass kann zu einer Funktionsstörung des Geräts führen.

Richten Sie den Dampfauslass niemals auf elektrische Geräte, Bücher oder Holzgegenstände, die anfällig für Schimmelbefall sind.

Das Gerät muss zum Umstellen am Unterteil angehoben werden und nicht über den Wassertank.

Der Luftbefeuchter sollte nicht verwendet werden, wenn die Raumluft schon ausreichend befeuchtet ist (mindestens 50 % relative Luftfeuchtigkeit). Die für das menschliche Wohlbefinden ideale relative Luftfeuchtigkeit liegt zwischen 45 % und 55 %. Ein zu hoher Feuchtigkeitsgehalt zeigt sich in der Bildung von Kondenswasser auf kalten Oberflächen oder kalten Zimmerwänden. Um den Luftfeuchtigkeitsgehalt des Raums einwandfrei zu bestimmen, sollten Sie einen speziellen Feuchtigkeitsmesser (Hygrometer) verwenden, den Sie in Fachgeschäften oder Großmärkten erhalten.

Der Luftbefeuchter Dobra eignet sich ausschließlich für den Einsatz im häuslichen Bereich.

Verwenden Sie nur das im Lieferumfang dieses Geräts enthaltene Zubehör. Die Verwendung nicht vom Hersteller empfohlener Zubehörteile fällt nicht unter die Garantieleistung.

Es müssen immer qualitativ hochwertige ätherische Öle verwendet werden: rein und 100% natürlich sowie für die Verdampfung geeignet. Wir empfehlen Ihnen zur Verwendung mit diesem Gerät die ätherischen Öle von LANAFORM. Bitte beachten Sie die in dieser Bedienungsanleitung aufgeführten Gebrauchshinweise in Bezug auf ätherische Öle.

BESTANDTEILE DES GERÄTS [A 1]

- 1 Deckel des Wassertanks
- 2 Dampfauslass
- 3 Schlauch zum Dampfauslass
- 4 Ring des Schlauchs zum Dampfauslass
- 5 Deckel des Schlauchs zum Dampfauslass
- 6 Maximaler Wasserstand
- 7 Wassertank
- 8 Unterteil
- 9 Wasserauslass
- 10 Luftauslass
- 11 Transduktor
- 12 Schwebekörper
- 13 Silikonfüße
- 14 Lufteinlass
- 15 LED-Kontrollleuchten
- 16 Touch-Control; On/Off (Ein/Aus); Abgabintensität; „Nacht“-Modus
- 17 Stimmungsglicht

GEBRAUCHSANWEISUNG

Anweisungen vor Inbetriebnahme

Nehmen Sie den Luftbefeuchter aus seiner Originalverpackung und überprüfen Sie, ob

Mängel vorliegen. Bei festgestelltem Defekt muss der Luftbefeuchter bei dem Händler oder dessen Kundendienst eingereicht werden.

Stellen Sie den Luftbefeuchter Dobra eine halbe Stunde vor dem Anschalten in dem entsprechenden Raum auf, damit er sich an die Raumtemperatur anpassen kann.

Die Raumtemperatur sollte immer zwischen 5 °C und 30 °C und die Wassertemperatur unter 40 °C liegen.

Anwendungshinweise [2]

- Den Deckel des Wassertanks entfernen [A].
- Füllen Sie anschließend, sauberes, frisches, destilliertes oder demineralisiertes Wasser in den Tank.



Das Wasser sollte nicht über den Schlauch für den Luftauslass eingefüllt werden [B].

Achten Sie auch darauf, dass Sie den maximalen Wasserstand nicht überschreiten, der auf der Innenseite des Wassertanks angezeigt wird [C].

- Bringen Sie anschließend wieder den Deckel an.
- Wenn der Netzstecker des Geräts mit der Steckdose verbunden oder aus der Steckdose entfernt wird, müssen die Hände immer absolut trocken sein.
- Betätigen Sie die Touchscreen-Schaltfläche bei angeschlossenem Gerät einmal [1 ■ 16].
- Der Luftbefeuchter ist jetzt betriebsbereit.



Um eine optimale Verdampfung zu garantieren, ist der Luftbefeuchter auf der Innenseite des Schlauchs zum Dampfauslass mit einem Ring ausgestattet [1 ■ 4]. Achten Sie darauf, dass dieser und der Decke zum Verschluss des Schlauchs [1 ■ 5] richtig montiert wurden. [3]

Einstellung der Verdampfungsintensität

Zum Einstellen der Abgabeintensität des Kalt-dampfs wiederholt die Touchscreen-Schaltfläche betätigen [1 ■ 16]:

- Erster Druck: Die maximale Intensität wurde ausgewählt (etwa 150 ml/h). Die LED-Kontrollleuchte [1 ■ 15] unter dem Symbol „H“ schaltet sich ein.
- Zweiter Druck: Die maximale Intensität wurde ausgewählt (etwa 120 ml/h). Die LED-Kontrollleuchte [1 ■ 15] unter dem Symbol „L“ schaltet sich ein.
- Dritter Druck: Der Luftbefeuchter läuft im Nacht-Modus. Jetzt ist das weiße Stimmungslicht eingeschaltet und die

Kontrollleuchte [1 ■ 15], „D“ schaltet sich nach drei Sekunden aus.

Wenn kein Wasser mehr im Tank ist, schaltet sich der Luftbefeuchter selbstständig ab, und die Kontrollleuchte färbt sich 5 Sekunden lang rot. Sie können den Luftbefeuchter auch nach Bedarf stoppen, indem Sie die Touchscreen-Schaltfläche ein viertes Mal betätigen.

Einstellung des Lichts

Nach Einschalten des Geräts ist standardmäßig kein Stimmungslicht eingeschaltet.

- Betätigen Sie die Schaltfläche zur Auswahl des Lichtmodus [1 ■ 17] einmal: jetzt schaltet sich ein warmes Weißlicht ein.
- Betätigen Sie anschließend mehrmals hintereinander die Taste zur Auswahl des Leuchtmodus [1 ■ 17], um die Temperatur des Weißlichts zu ändern, sodass es neutraler und kühler wird.
- Betätigen Sie die Taste ein viertes Mal: das Licht schaltet sich aus.

Wichtige Hinweise

- Verwenden Sie ausschließlich sauberes und frisches, destilliertes oder demineralisiertes Wasser, um Fehlfunktionen zu verhindern.
- Bitte gießen Sie kein Wasser in den Luftauslass [1 ■ 10], um Fehlfunktionen und eine Brandgefahr auszuschließen.
- Der Deckel des Wassertanks sollt immer fest verschlossen sein [1 ■ 1].
- Der Wassertank muss sauber sein. Bei einer Verschmutzung des Dampfauslasses muss dieser mit einer Bürste oder einem feuchten Tuch gereinigt werden.

▲ Achtung: trotz des Sicherheitssystems, das eine automatische Unterbrechung des Transduktors bewirkt, sollte das Gerät bei Nichtgebrauch nicht am Stromnetz angeschlossen bleiben.

▲ Zusatzinformationen zur Verwendung ätherischer Öle:

Bitte informieren Sie sich vor der Verwendung ätherischer Öle über mögliche Gesundheitsrisiken, die der Einsatz solcher Produkte mit sich bringen kann.

Es müssen immer qualitativ hochwertige ätherische Öle verwendet werden: rein und 100 % natürlich sowie für die Verdampfung geeignet. Maßvoll und vorsichtig verwenden. Die Angaben und Sicherheitshinweise auf der Verpackung der ätherischen Öle müssen eingehalten werden, wobei insbesondere Folgendes beachtet werden muss:

- Die Verwendung von ätherischen Ölen ist verboten während Schwangerschaft, für Epileptiker oder Personen mit Asthma oder Allergien sowie für Personen mit

Herzbeschwerden oder schwerwiegenden Erkrankungen.

- Im Zimmer eines Babys bzw. Kleinkinds unter 3 Jahren dürfen ätherische Öle nicht länger als 10 Minuten verdampft werden und ausschließlich, wenn das Baby bzw. Kleinkind sich nicht im Zimmer befindet.
- Kinder und Minderjährige von dem Gerät fernhalten und darauf achten, dass es nicht zum Spielen missbraucht wird.
- Für einen einwandfreien Betrieb und eine angenehme Verbreitung des Aromas reicht die Verwendung von ein paar Tropfen (max. 3 bis 4 Tropfen) ätherischem Öl aus. Bei einem übermäßigen Gebrauch ätherischer Öle kann das Gerät beschädigt werden.
- Zunächst Wasser in den Wassertank gießen, bevor Sie die Tropfen ätherisches Öl hinzufügen.
- Lanaform haftet nicht für Schäden, die durch Nichtbeachtung der in dieser Bedienungsanleitung aufgeführten Hinweise entstehen.

PFLEGE UND AUFBEWAHRUNG

Ziehen Sie vor Reinigung oder Aufbewahrung des Luftbefeuchters alle Stromzuführungen ab.

Wenn Wasser mit einem zu hohen Calcium- oder Magnesiumgehalt verwendet wird, kann es zu weißen Ablagerungen im Geräteinneren kommen. Wenn sich dieser Belag auf dem Transduktor [1 ■ 11] absetzt, kann der Luftbefeuchter Dobra nicht mehr einwandfrei funktionieren.

Pflege

Unsere Empfehlungen

- 1 Bei jedem Gebrauch des Geräts sauberes und frisches, destilliertes oder demineralisiertes Wasser verwenden oder Wasser, das zum Kochen gebracht und anschließend abgekühlt wird.
- 2 Den Wassertank jeden zweiten Tag und den Transduktor einmal pro Woche reinigen.
- 3 Das Gerät reinigen (s. Hinweise weiter unten) und sicherstellen, dass alle Teile absolut trocken sind, wenn das Gerät nicht im Einsatz ist.

Reinigung des Wassertanks [1 ■ 7]

- 1 Die Schale mit Wasser mit einem weichen Tuch reinigen und Essig verwenden, wenn sich Kalkablagerungen oder eine weiße Schicht gebildet haben.
- 2 Die Schale mit klarem Wasser abspülen.

Für die Reinigung des

Transduktors [A 1 B 11]

- 1 2 bis 5 Tropfen Essig auf die Oberfläche geben und 2 bis 5 Minuten einwirken lassen.
- 2 Den Belag mithilfe einer weichen Bürste von der Oberfläche entfernen. Die Oberfläche nicht mit einem harten Gegenstand bearbeiten.
- 3 Spülen Sie den Wassertank anschließend mit klarem Wasser aus.

▲ Zur Reinigung des Transduktors keine Seife, kein Lösungsmittel oder Reinigungsspray verwenden.

Reinigung des Schlauchs

zum Dampfauslass [A 1 B 3]

- 1 Entfernen Sie den Deckel des Wassertanks [A 1 B 1].
- 2 Drehen Sie den Deckel des Wassertanks [A 1 B 1] entgegen des Uhrzeigersinnes.
- 3 Entfernen Sie den Deckel des Schlauchs zum Dampfauslass und den Ring. [A 1 B 4 & 5]
- 4 Reinigen Sie alles mit einer Bürste oder einem feuchten Tuch mit Essig, wenn sich eine weiße Schicht oder Kalkablagerungen im Inneren gebildet haben.
- 5 Setzen Sie einen neuen Ring ein sowie den Deckel des Schlauchs zum Dampfauslass, gemäß Abbildung [A 3].
- 6 Verschließen Sie den Deckel des Wassertanks, indem Sie ihn entgegen des Uhrzeigersinnes drehen und achten Sie darauf, dass die Einkerbungen auf jene des Schlauchs zum Dampfauslass abgestimmt sind.

Reinigung des Dampfauslasses

des Geräts [A 1 B 2]

- 1 Mit einer Bürste oder einem feuchten Tuch reinigen.
- 2 Den Dampfauslass mit klarem Wasser abspülen.

Verstauen

Wenn Sie planen, das Gerät über einen längeren Zeitraum nicht zu verwenden, verstauen Sie den gereinigten und getrocknete Luftbefeuchter an einem kühlen, trockenen und vor Licht geschützten Ort.

FEHLER UND FEHLERBEHEBUNG

Bei Funktionsstörungen unter normalen Gebrauchsbedingungen bitte die unten stehende Liste zurate ziehen:

⊖ Keine Betriebskontrolle, kein Dampf

- ⊕ Keine Spannung, kein Strom
- ⊕ Überprüfen, ob das Gerät mit der Steckdose verbunden ist und ob das Stromnetz nicht gestört ist

⊖ Die rote Kontrollleuchte blinkt 5 Mal, kein Dampf

- ⊕ Kein Wasser im Behälter
- ⊕ Sauberes und frisches, destilliertes oder demineralisiertes Wasser einfüllen

⊖ Der Dampf riecht unangenehm

- ⊕ Das Gerät ist neu
- ⊕ Wassertank leeren und mindestens 12 Stunden auslüften lassen

- ⊕ Das Wasser ist verschmutzt oder zu lange im Tank geblieben

- ⊕ Das Gerät von der Stromzufuhr trennen, den Tank leeren und diesen anschließend mit demineralisiertem oder destilliertem Wasser befüllen.

⊖ Schwache Dampfindensität

- ⊕ Der Dampfauslass ist verstopft
- ⊕ Das Gerät von der Stromzufuhr trennen und den Dampfauslass reinigen.

- ⊕ Das Wasser ist verschmutzt oder zu lange im Tank geblieben

- ⊕ Den Wassertank reinigen und sauberes, frisches Wasser einfüllen

⊖ Ungewöhnliches Geräusch während des Betriebs

- ⊕ Das Gerät steht auf einer instabilen oder unebenen Oberfläche
- ⊕ Das Gerät von der Stromzufuhr trennen und auf eine ebene und stabile Oberfläche stellen

▲ Die folgenden Symptome gelten nicht als Funktionsstörungen:

- 1 Wenn Ihr Wasser sehr hart ist (mit einem hohen Mineralstoffgehalt), kann der Luftbefeuchter eine Art weißen Staub abgeben. Hierbei handelt es sich nicht um eine Funktionsstörung. Die Bildung des weißen Belags kann durch eine häufigere Reinigung des Kalk-Filterns behoben werden oder durch Verwendung von weniger hartem Wasser.
- 2 Die hören in der Nähe des Luftbefeuchters gurgelndes Wasser. Das ist jedoch normal.
- 3 Der Betrieb des Geräts ist sehr leise, jedoch nicht hundertprozentig geräuschfrei. Ein Geräuschpegel unter 35 DB gilt als normal.

HINWEISE ZUR ENTSORGUNG DER UMWERPACKUNG

Die Umverpackung besteht ausschließlich aus nicht umweltgefährdenden Materialien, die Sie zur Wiederverwertung in der Recyclingstelle Ihrer Gemeinde abgeben können. Der Karton kann in einen Altpapier-Container gegeben werden. Die Verpackungsfolien müssen der Recyclingstelle Ihrer Gemeinde zugeführt werden.

Das Gerät selbst muss ebenfalls unter Rücksichtnahme auf die Umwelt und unter Einhaltung der gesetzlichen Entsorgungsvorschriften entsorgt werden.

BESCHRÄNKTE GARANTIE

LANAFORM garantiert die Freiheit von Material- und Fabrikationsfehlern des Geräts, und zwar für eine Dauer von zwei Jahren ab Kaufdatum. Dabei gelten folgende Ausnahmen:

Die LANAFORM Garantie deckt keine Beschädigungen aufgrund von normaler Abnutzung dieses Gerätes ab. Darüber hinaus erstreckt sich die Garantie auf das LANAFORM-Gerät nicht auf Schäden, die auf unsachgemäßen oder übermäßigen Gebrauch, Unfälle, die Verwendung nicht vom Hersteller empfohlener Zubehörteile, Umbauten am Gerät oder auf sonstige Umstände gleich welcher Art zurückzuführen sind, die sich dem Wissen und dem Einfluss von LANAFORM entziehen.

LANAFORM haftet nicht für Begleit-, Folge- und besondere Schäden.

Alle impliziten Garantien in Bezug auf die Eignung des Gerätes sind auf eine Frist von zwei Jahren ab dem anfänglichen Kaufdatum beschränkt, soweit eine Kopie des Kaufnachweises vorgelegt werden kann.

Auf Garantie eingeschickte Geräte werden von LANAFORM nach eigenem Ermessen entweder repariert oder ausgetauscht und an Sie zurückgesendet. Die Garantie gilt nur bei Reparatur im LANAFORM Kundendienstzentrum. Bei Reparatur durch einen anderen Kundendienstanbieter erlischt die Garantie.

INTRODUCCIÓN

Gracias por comprar el humidificador de aire de vapor frío Dobra de LANAFORM. El humidificador Dobra le ayudará a lograr un índice higrométrico adecuado y a eliminar las molestias provocadas por la sequedad del aire. Su sistema de ventilación distribuye el aire en forma de vapor frío, proporcionando así el nivel de humedad deseado.

Las fotografías y demás representaciones del producto que figuran en el presente manual y en el embalaje pretenden ser lo más precisas posibles, pero no necesariamente exactas al producto real.

▲ Lea todas las instrucciones antes de utilizar el humidificador, en especial los importantes consejos de seguridad que se numeran a continuación.

Este aparato no está pensado para ser utilizado por personas con capacidades físicas, sensoriales o psíquicas reducidas o por personas sin la experiencia o los conocimientos adecuados (incluidos niños), salvo bajo la supervisión de una persona responsable de su seguridad, con la debida vigilancia, o si han recibido instrucciones previas sobre la utilización del producto. Evite que los niños jueguen con él.

Utilice este aparato exclusivamente siguiendo las instrucciones de este manual.

Compruebe que la tensión de su red eléctrica corresponda a la del aparato.

Coloque siempre el humidificador Dobra sobre superficies duras, planas y horizontales. No lo acerque excesivamente a las paredes (mínimo 15 cm y aparatos emisores de calor como estufas, radiadores, etc.

▲ Para garantizar el correcto funcionamiento del aparato, colóquelo siempre sobre una superficie horizontal.

No enchufe ni desenchufe el aparato con las manos mojadas..

Si el cable de corriente tuviera algún defecto, sustitúyalo por un cable similar, que podrá adquirir en su distribuidor o el servicio postventa.

No deje el aparato expuesto directamente al sol.

Llene el depósito con agua limpia, destilada o desmineralizada.

No desmonte el aparato, ni siquiera su unidad de base.

No encienda el aparato sin agua en el depósito.

No agite el aparato. Podría hacer que el agua caiera en la unidad de base, lo que podría afectar a su funcionamiento.

No toque nunca el agua ni los componentes del aparato cuando esté en funcionamiento.

Si observa un olor anormal durante el uso del aparato como se describe en este manual, apáguelo, desenchúfelo y póngase en contacto con su distribuidor o el servicio postventa para que lo revisen.

No llene el depósito con agua caliente, es decir, a una temperatura superior a 40 °C.

Desenchufe el aparato antes de limpiarlo o de retirar el depósito.

No lave el aparato íntegramente con agua ni lo sumerja; siga las instrucciones relativas a la limpieza.

No raspe nunca el transductor con una herramienta dura. El humidificador Dobra debe limpiarse regularmente. Para ello, siga las instrucciones relativas a la limpieza que figuran en este manual.

Si el aparato cayera al agua, desenchúfelo inmediatamente antes de cogerlo.

Los aparatos eléctricos nunca deben dejarse enchufados sin vigilancia. Desenchúfelo cuando no lo utilice.

No acerque el cable eléctrico a ninguna superficie caliente. Nunca utilice este aparato en habitaciones en las que se utilicen aerosoles (sprays) o donde se suministre oxígeno.

Utilice el humidificador solo cuando esté lleno de agua.

No coloque ropa o toallas encima del aparato. Si la boquilla de emisión de vapor está obstruida, esto puede causar un problema de funcionamiento del aparato.

No dirija nunca la boquilla de emisión de vapor hacia dispositivos eléctricos, libros u objetos de madera, para evitar el enmohecimiento.

Cuando mueva el aparato, levántelo por la base, no por el depósito de agua.

No utilice el humidificador si el aire de la habitación está ya suficientemente húmedo (al menos un 50 % de humedad relativa). De hecho, la tasa de humedad relativa ideal para el ser humano se sitúa entre el 45 y el 55 %. El exceso de humedad se observa por la condensación en las superficies frías o las paredes frías de la habitación. Para determinar correctamente el nivel de humedad de la habitación, utilice un higrómetro, que puede encontrar en la mayoría de comercios especializados y en las grandes superficies.

El humidificador Dobra solo está concebido para uso interior y doméstico.

Utilice únicamente los accesorios suministrados con este aparato. El uso de cualquier accesorio no autorizado no estará cubierto por la garantía.

Utilice siempre aceites esenciales de calidad, puros, 100 % naturales y que puedan usarse en un difusor. Para este aparato, le recomendamos encarecidamente utilizar aceites esenciales LANAFORM. Para esto, remítase a los consejos de utilización de aceites esenciales de este manual.

COMPONENTES DEL APARATO [A 1]

- 1 Tapa del depósito
- 2 Boquilla rociadora
- 3 Tubo de salida de vapor
- 4 Anillo del tubo de salida de vapor
- 5 Tapa del tubo de salida de vapor
- 6 Nivel máximo de agua
- 7 Depósito
- 8 Base
- 9 Salida de agua
- 10 Salida de aire
- 11 Transductor
- 12 Flotador de agua
- 13 Patas de silicona
- 14 Entrada de aire
- 15 Indicadores luminosos
- 16 Control táctil: Encendido/apagado, intensidad de emisión, modo «nocturno»
- 17 Luz ambiental

INSTRUCCIONES DE USO

Instrucciones previas al primer uso

Desempaquete el humidificador de su embalaje original y compruebe que no haya ningún defecto. En caso de detectar defectos, lleve el humidificador al distribuidor o al servicio postventa.

Coloque el humidificador Dobra en la habitación media hora antes de ponerlo en marcha, para que se adapte a la temperatura ambiente.

La temperatura de la habitación debe situarse siempre entre 5 y 30 °C, y la temperatura del agua debe ser inferior a 40 °C.

Instrucciones de uso [A 2]

- Quite la tapa del depósito [A].
- A continuación, vierta agua limpia, destilada o desmineralizada en el depósito.

Tenga cuidado de no llenar el depósito por el tubo de salida de aire [B].

Procure igualmente no superar la línea de nivel máximo de agua que figura en el interior del depósito [■ 1].

- Vuelva a colocar la tapa del depósito.
- Cuando enchufe o desenchufe el aparato, procure tener las manos bien secas.
- Una vez que el humidificador esté enchufado, apriete una vez el botón de control táctil [■ 1 ■ 16].
- A partir de ese momento, el humidificador estará listo para su uso.

▲

Para garantizar la difusión óptima del vapor, el humidificador dispone de un anillo en el interior del tubo de salida de vapor [■ 1 ■ 4]. Asegúrese de que dicho anillo, así como la tapa de cierre del tubo de salida de vapor [■ 1 ■ 5] están colocados correctamente. [■ 3]

Ajuste de la intensidad del vapor

Para regular la emisión de vapor frío, presione sucesivas veces el botón de control táctil [■ 1 ■ 16]:

- 1a presión: intensidad máxima (unos 150 ml/h). Se enciende el indicador LED [■ 1 ■ 15] del símbolo «H».
- 2a presión: intensidad mínima (unos 120 ml/h). Se enciende el indicador LED [■ 1 ■ 15] del símbolo «L».
- 3a presión: el humidificador funciona en modo «nocturno». La función de luz blanca ambiental se desactivará y se apagará el indicador luminoso [■ 1 ■ 15] «▶» después de 3 segundos.

Cuando el depósito se queda sin agua, el humidificador se detiene y el indicador se enciende en rojo durante 5 segundos. También puede detenerlo en cualquier momento, apretando una cuarta vez el botón de control táctil.

Ajuste de la luz

Al encender el aparato, este funciona por defecto sin luz ambiental.

- La primera vez que apretamos el botón de selección del modo de iluminación [■ 1 ■ 17], se enciende una luz blanca cálida.
- A continuación, si aprieta sucesivamente el botón de selección del modo de iluminación [■ 1 ■ 17], cambiará la temperatura de la luz blanca a una luz blanca neutra más fría.
- Si aprieta una cuarta vez, la luz se apaga.

Observaciones importantes

- Para evitar cualquier defecto de funcionamiento, utilice solo agua limpia, destilada o desmineralizada.
- Para evitar igualmente cualquier problema de funcionamiento, así como riesgo

de incendio, no vierta agua en el tubo de salida de aire [■ 1 ■ 3].

- Cierre siempre herméticamente la tapa del depósito [■ 1 ■ 11].
- Mantenga siempre limpio el depósito. Si la boquilla rociadora de vapor está sucia, límpiela con un cepillo o un trapo húmedo.

▲ Atención: aunque el aparato cuenta con un dispositivo de seguridad que impide el funcionamiento del transductor, no deje el aparato enchufado cuando no lo esté utilizando.

▲ Información adicional sobre el uso de aceites esenciales

Antes de usar aceites esenciales, infórmese de los efectos negativos sobre la salud que puede conllevar el uso de dichos productos.

Utilice siempre aceites esenciales de calidad: puros, 100 % naturales y que puedan usarse en un difusor. Utilícelos con moderación y precaución. Sigla las indicaciones y advertencias relativas al acondicionamiento de los aceites esenciales. Tenga en cuenta principalmente que:

- No pueden utilizar aceites esenciales las mujeres embarazadas ni las personas epilépticas o que sufran asma o alergia, ni las personas con problemas de corazón o enfermedades graves.
- En las habitaciones de niños menores de 3 años, se aconseja no utilizar aceites esenciales durante más de 10 minutos, y siempre cuando los niños no se encuentren en la habitación.
- Procure que los niños no utilicen el aparato ni jueguen con él.
- Bastan unas gotas (máximo 3 o 4) de aceites esenciales para asegurar el correcto funcionamiento del aparato y la difusión del perfume. Un uso excesivo de aceites esenciales puede dañar el aparato.
- Llene el depósito con agua antes de añadir las gotas de aceites esenciales.
- Lanaform no se responsabiliza de los daños accidentales que se produzcan por un uso diferente del indicado en el manual de instrucciones.

MANTENIMIENTO Y ALMACENAMIENTO

Desenchufe siempre el humidificador antes del mantenimiento o el almacenamiento.

Si el agua contiene excesivo calcio y/o magnesio, puede dejar una especie de polvo blanco en el aparato. Si este se deposita en el transductor [■ 1 ■ 11], el humidificador Dobra no funcionará correctamente.

Mantenimiento

Algunas recomendaciones

- 1 Utilice cada vez agua limpia, destilada, desmineralizada o hervida y posteriormente enfriada.
- 2 Limpie el depósito cada 2 días y el transductor una vez a la semana.
- 3 Limpie el aparato (ver las explicaciones que figuran a continuación) y asegúrese de que todas sus piezas estén totalmente secas cuando no esté en funcionamiento.

Para limpiar el depósito [■ 1 ■ 7]

- 1 Lave el recipiente con agua y un paño húmedo, y con vinagre si hay espuma o restos de cal en el interior.
- 2 Enjuague el recipiente con agua limpia.

Para limpiar el transductor [■ 1 ■ 11]

- 1 Ponga unas gotas de vinagre (de 2 a 5) en la superficie y deje reposar de 2 a 5 minutos.
- 2 Elimine la espuma de la superficie con un cepillo suave. No raspe la superficie con herramientas duras.
- 3 A continuación, enjuague el depósito con agua limpia.

▲ No use jabón, disolventes o sprays de limpieza para limpiar el transductor.

Para limpiar el tubo de salida de vapor [■ 1 ■ 3]

- 1 Quite la tapa del depósito [■ 1 ■ 11].
- 2 Desenróscuela girándola en el sentido contrario al de las agujas del reloj.
- 3 Retire la tapa del tubo de salida de vapor, junto con el anillo. [■ 1 ■ 4 & 5]
- 4 Limpie el conjunto con un cepillo o un paño húmedo, y con vinagre si hay espuma o restos de cal en el interior.
- 5 Vuelva a colocar el anillo, junto con la tapa del tubo de salida de vapor, como se indica en el esquema [■ 3].
- 6 Cierre la tapa del depósito girando este en el sentido inverso al de las agujas del reloj y procurando que las muescas encajen correctamente en las del tubo de salida de vapor.

Para limpiar la boquilla difusora de vapor del aparato [■ 1 ■ 2]

- 1 Límpiela con un cepillo o un trapo húmedo.
- 2 Enjuague la boquilla de emisión de vapor con agua limpia.

Almacenamiento

Si no piensa utilizar el humidificador durante un periodo prolongado de tiempo, guárdelo

bien limpio y seco en un lugar fresco, seco y protegido de la luz.

PROBLEMAS Y SOLUCIONES

En caso de problema de funcionamiento, en condiciones normales de uso, consulte la lista de problemas siguiente:

⊖ No se enciende el indicador de funcionamiento, no sale vapor.

- ⊕ No hay tensión ni corriente.
- ⊕ Compruebe si el aparato está enchufado o si hay alguna avería en el suministro eléctrico.

⊖ Indicador luminoso rojo parpadeando 5 veces; no sale vapor.

- ⊕ No hay agua en el depósito.
- ⊕ Vierta agua limpia, destilada o desmineralizada.

⊖ El vapor tiene un olor desagradable.

- ⊕ El aparato es nuevo.
- ⊕ Vacíe el agua del depósito y déjelo airearse durante 12 h como mínimo.
- ⊕ El agua está contaminada o ha permanecido demasiado tiempo en el depósito.
- ⊕ Desenchufe el aparato, vacíe el agua del depósito, enjuague y limpie el depósito, y llénelo con agua desmineralizada o destilada.

⊖ Intensidad de vapor baja.

- ⊕ La boquilla de emisión de vapor está obstruida.
- ⊕ Desenchufe el aparato y limpie la boquilla de emisión de vapor.
- ⊕ El agua está sucia o lleva demasiado tiempo en el depósito.
- ⊕ Limpie el depósito y llénelo con agua limpia.

⊖ Ruido anormal durante el funcionamiento.

- ⊕ El aparato está colocado sobre una superficie inestable o irregular.
- ⊕ Desenchufe el aparato y colóquelo en una superficie plana y estable.

▲ Los casos siguientes no se consideran fallos de funcionamiento:

- 1 Si el agua es excesivamente dura (contiene muchos minerales), es posible que se observe en el humidificador una especie de polvo blanco. Esto no indica ningún problema de funcionamiento. La solución consiste en limpiar el filtro antical con mayor frecuencia o utilizar un agua menos dura.
- 2 Si está cerca del humidificador, es normal que oiga el gorgoteo del agua.
- 3 El aparato no funciona de manera totalmente silenciosa. Un nivel de ruido de menos de 35 DB se considera normal.

CONSEJOS SOBRE ELIMINACIÓN DE RESIDUOS

El embalaje está compuesto íntegramente por materiales que no suponen peligro para el medio ambiente, que pueden depositarse en el centro de recogida selectiva de su municipio para su uso como materiales secundarios. El cartón puede depositarse en un contenedor de recogida de papel. Los plásticos de embalaje deben depositarse en el centro de recogida selectiva y reciclaje de su municipio.

Cuando el aparato ya no le sirva, elimínelo de manera respetuosa con el medio ambiente y de acuerdo con la normativa.

GARANTÍA LIMITADA

LANAFORM garantiza que este producto no presenta ningún defecto de material ni de fabricación durante un período de dos años a partir de la fecha de compra, con excepción de los casos que se indican a continuación.

La garantía LANAFORM no cubre los daños debidos a un desgaste normal por el uso del producto. Además, la garantía sobre este producto LANAFORM no cubre los daños causados por un uso abusivo o inapropiado, ni en caso de mala utilización, accidente, colocación de un accesorio no autorizado, modificación introducida en el producto o cualquier otra situación, de cualquier naturaleza, ajena al control de LANAFORM.

LANAFORM no será considerada responsable de ningún tipo de daño indirecto, consecutivo o especial.

Todas las garantías implícitas de aptitud del producto se limitan a un período de dos años a partir de la fecha de compra inicial, siempre que pueda presentarse copia del justificante de compra.

Una vez recibido el aparato, LANAFORM procederá a repararlo o sustituirlo, según el caso, y seguidamente se lo devolverá. La garantía solo puede reclamarse a través del Centro de Asistencia Técnica de LANAFORM. Toda actividad de mantenimiento de este producto no realizada por el Centro de Asistencia Técnica de LANAFORM anula la presente garantía.

ITALIANO

INTRODUZIONE

Vi ringraziamo per avere acquistato l'umidificatore a vapore freddo Dobra di LANAFORM. L'umidificatore Dobra contribuisce a ristabilire un tasso igrometrico adeguato e ad eliminare i disagi legati all'aria secca. Il sistema di ventilazione diffonde l'acqua sotto forma di vapore freddo e assicura in tal modo il livello di umidità desiderato.

Le fotografie e altre rappresentazioni del prodotto riportate nel presente manuale e sulla confezione cercano di essere quanto più fedeli possibile, ma non possono garantire una somiglianza perfetta con il prodotto.

▲ Leggere tutte le istruzioni prima di utilizzare l'umidificatore, con particolare riguardo per le seguenti norme di sicurezza fondamentali.

Questo apparecchio non è destinato ad essere utilizzato da persone, compresi i bambini, le cui capacità fisiche, sensoriali o mentali siano ridotte o da persone prive di esperienza o di conoscenze, a meno che non possano avvalersi, tramite una persona responsabile della loro sicurezza, di una sorveglianza o di istruzioni d'uso preliminari. È opportuno sorvegliare i bambini per accertarsi che non giochino con l'apparecchio.

Utilizzare questo apparecchio solo nel rispetto delle istruzioni ivi contenute.

Verificare che la tensione di rete corrisponda a quella dell'apparecchio.

Collocare sempre l'umidificatore Dobra su una superficie rigida, piatta e orizzontale. ad una certa distanza dalle pareti (minimo 15 cm e da fonti di calore quali stufe, radiatori, ecc.

▲ È possibile che, se non collocato su una superficie orizzontale, l'apparecchio non funzioni correttamente.

Non inserire né disinserire la spina dell'apparecchio con le mani umide.

Se il cavo di alimentazione è danneggiato, deve essere sostituito con un cavo analogo, disponibile presso il fornitore o il servizio post-vendita.

Non lasciare l'apparecchio esposto ai raggi solari diretti.

Riempire il serbatoio con acqua pulita e fresca, distillata o demineralizzata.

Non smontare l'apparecchio né la sua unità di base.

Non accendere l'apparecchio se manca l'acqua nel serbatoio.

Non scuotere l'apparecchio. Questa operazione potrebbe far fuoriuscire l'acqua dalla base e impedirne il corretto funzionamento.

Non toccare mai l'acqua e i componenti quando l'apparecchio è in funzione.

Qualora si dovessero avvertire odori insoliti durante il funzionamento dell'apparecchio descritto nel presente manuale, spegnere l'apparecchio, scollegarlo dalla presa e farlo revisionare dal servizio post-vendita.

Non versare nel serbatoio acqua con temperatura superiore a 40°C.

Scollegare l'apparecchio prima di eseguire interventi di pulizia o estrarre il serbatoio.

Non lavare l'intero apparecchio sotto l'acqua e non immergerlo; attenersi alle istruzioni di pulizia riportate nel presente manuale.

Non raschiare mai il trasduttore con oggetti duri; consultare le istruzioni di pulizia. L'umidificatore Dobra deve essere pulito periodicamente. A tale scopo, consultare e attenersi alle istruzioni di pulizia riportate nel presente manuale.

Se l'apparecchio cade in acqua, scollegarlo immediatamente prima di recuperarlo.

Un apparecchio elettrico non deve mai rimanere collegato senza sorveglianza. Scollegarlo quando non è utilizzato.

Allontanare il cavo elettrico dalle superfici calde.

Non utilizzare mai l'apparecchio in una stanza nella quale vengono impiegati prodotti aerosol (spray) o viene somministrato ossigeno.

Utilizzare l'umidificatore unicamente quando è pieno d'acqua.

Non coprire con indumenti o asciugamani la parte superiore dell'apparecchio. L'ostruzione del beccuccio di emissione di vapore può causare un malfunzionamento dell'apparecchio.

Non dirigere il beccuccio di emissione di vapore verso apparecchi elettrici, libri o oggetti in legno per i quali può sussistere il rischio di muffa.

Per spostare l'apparecchio, sollevarlo dalla base e non dal serbatoio dell'acqua.

Non utilizzare l'umidificatore se l'aria nella stanza è già sufficientemente umida (almeno il 50% di umidità relativa). Il livello ideale di umidità relativa per il benessere degli esseri umani si colloca in realtà fra il 45% e il 55%.

Un'eccessiva umidità è riscontrabile dalla condensa sulle superfici fredde o sulle pareti fredde nella stanza. Per stabilire correttamente l'umidità relativa di una stanza si consiglia di utilizzare un igrometro, disponibile nei principali negozi e nelle ferramenta.

L'umidificatore Dobra è esclusivamente destinato ad un uso interno e domestico.

Utilizzare unicamente gli accessori in dotazione con questo apparecchio. L'utilizzo di qualsiasi accessorio non autorizzato sarà escluso dalla garanzia.

Scegliere sempre oli essenziali di qualità: puri e naturali al 100% e adatti alla diffusione. Per questo apparecchio, si consiglia vivamente di utilizzare gli oli essenziali LANAFORM. A tale scopo, fare riferimento ai consigli di utilizzo degli oli essenziali riportati nel presente manuale.

COMPONENTI DELL'APPARECCHIO [■ 1]

- 1 Coperchio del serbatoio
- 2 Beccuccio diffusore
- 3 Tubo di uscita vapore
- 4 Anello del tubo di uscita vapore
- 5 Coperchio del tubo di uscita vapore
- 6 Livello d'acqua massimo
- 7 Serbatoio
- 8 Base
- 9 Uscita dell'acqua
- 10 Uscita dell'aria
- 11 Trasduttore
- 12 Galleggiante
- 13 Piedini in silicene
- 14 Ingresso dell'aria
- 15 Spie led
- 16 Controllo tattile: On/Off; Intensità di emissione; Modalità «Notte»
- 17 Luce ambiente

ISTRUZIONI DI UTILIZZO

Istruzioni da seguire prima del primo utilizzo

Estrarre l'umidificatore dall'imballaggio originale e verificare che non siano presenti difetti. Qualora si riscontrassero difetti, riportare l'umidificatore presso il fornitore o il suo servizio post-vendita.

Collocare l'umidificatore Dobra nel locale mezz'ora prima di attivarlo, affinché si adatti alla temperatura ambiente.

La temperatura del locale deve essere sempre compresa tra 5°C e 30°C e la temperatura dell'acqua deve essere inferiore a 40°C.

Istruzioni [■ 2]

- Rimuovere il coperchio del serbatoio [■ A].
- Versare acqua pulita e fresca, distillata o demineralizzata, nel serbatoio.

▲

Prestare attenzione a non riempire il serbatoio versando l'acqua dal tubo di uscita dell'aria [■ B].

Prestare anche attenzione a non superare la linea del livello d'acqua massimo segnata sulla parete interna del serbatoio [■ C].

- Riposizionare il coperchio del serbatoio.
- Prestare attenzione a collegare e scollegare l'apparecchio con le mani ben asciutte.
- Una volta collegato l'umidificatore all'alimentazione, premere una volta il tasto di controllo tattile [■ 1 ■ 16].
- A questo punto, l'umidificatore è operativo.

▲

Per garantire una diffusione ottimale del vapore, l'umidificatore è dotato di un anello all'interno del tubo di uscita vapore [■ 1 ■ 4]. Verificare che l'anello e il coperchio di chiusura del tubo di uscita vapore [■ 1 ■ 5] siano posizionati correttamente. [■ 3]

Regolazione dell'intensità del vapore

Premere successivamente il tasto di controllo tattile per regolare l'emissione di vapore freddo [■ 1 ■ 16]:

- 1a pressione: viene selezionata l'intensità massima (circa 150 ml/h). La spia led [■ 1 ■ 15] sotto il simbolo «H» si accende.
- 2a pressione: viene selezionata l'intensità minima (circa 120 ml/h). La spia led [■ 1 ■ 15] sotto il simbolo «L» si accende.
- 3a pressione: l'umidificatore funziona in modalità «notte». La funzione di luce bianca ambiente viene disattivata e la spia luminosa [■ 1 ■ 15] «■» si spegne dopo 3 secondi.

Quando l'acqua nel serbatoio esaurisce, l'umidificatore si arresta e la spia si accende in rosso per 5 secondi. Può anche essere arrestato in qualsiasi momento premendo una quarta volta sul pulsante di controllo tattile.

Regolazione della luce

Quando l'apparecchio è acceso, per impostazione predefinita non emette luce ambiente.

- Premere il pulsante di scelta della modalità luminosa [■ 1 ■ 17] una prima volta: si attiva una luce bianca con tonalità calda.
- Premere successivamente il pulsante di scelta della modalità luminosa [■ 1 ■ 17] per modificare la temperatura della luce bianca in una luce bianca neutra, quindi fredda.
- Premere una quarta volta: la luce si spegne.

Avvertenze importanti

- Utilizzare unicamente acqua pulita e fresca, distillata o demineralizzata, al fine di evitare malfunzionamenti dell'apparecchio.

- Non versare acqua nel tubo di uscita dell'aria (■ 1 ■ 3) per evitare rischi di malfunzionamento e incendio.
- Prestare attenzione a chiusure ermeticamente il coperchio del serbatoio (■ 1 ■ 11).
- Il serbatoio deve essere mantenuto pulito. In caso di depositi di impurità sul beccuccio di emissione di vapore, rimuoverli utilizzando una spazzola o un panno umido.

▲ Attenzione: anche se il dispositivo di sicurezza interrompe il funzionamento del trasduttore, evitare di lasciare l'apparecchio sotto tensione quando non viene utilizzato.

▲ Informazioni complementari relative all'utilizzo di oli essenziali

Prima di utilizzare oli essenziali, si consiglia di informarsi sugli effetti negativi per la salute che possono derivare dall'uso di tali prodotti.

Scegliere sempre oli essenziali di qualità: puri e naturali al 100% e adatti alla diffusione. Utilizzarli con moderazione e precauzione. Rispettare le indicazioni e le avvertenze riportate sulle confezioni degli oli essenziali prestando particolare attenzione a quanto segue:

- L'uso di oli essenziali non è consentito alle donne in stato di gravidanza, ai soggetti epilettici o che soffrono di asma o allergie, nonché alle persone affette da disturbi cardiaci o da patologie gravi.
- Nella cameretta di un bambino al di sotto dei 3 anni di età, è consentito un utilizzo di oli essenziali che non superi i 10 minuti e unicamente quando il bambino non è presente nel locale.
- Accertarsi che i bambini e i minorenni non giochino con l'apparecchio e che non lo utilizzino.
- Sono sufficienti solo alcune gocce (3-4 massimo) di oli essenziali per garantire un buon funzionamento dell'apparecchio e la diffusione dell'aroma. Un utilizzo eccessivo degli oli essenziali potrebbe danneggiare l'apparecchio.
- Versare dapprima l'acqua nel serbatoio, quindi aggiungere le gocce di olio essenziale.
- Lanaform declina ogni responsabilità in caso di danno accidentale derivante da qualsiasi utilizzo non previsto dal presente manuale d'uso.

CURA E CONSERVAZIONE

L'umidificatore deve sempre essere spento prima della manutenzione o della conservazione.

Se nell'acqua sono contenute quantità eccessive di calcio e/o magnesio, è possibile che nell'apparecchio si depositi una "polvere bianca". Il deposito di tali residui sul trasduttore

re (■ 1 ■ 11) impedisce all'umidificatore Dobra di funzionare correttamente.

Manutenzione

Si consiglia di

- 1 Impiegare acqua pulita e fresca, distillata, demineralizzata o bollita e raffreddata ad ogni utilizzo.
- 2 Pulire il serbatoio ogni 2 giorni e il trasduttore ogni settimana.
- 3 Pulire l'apparecchio (consultare le spiegazioni riportate qui di seguito) e controllare che tutti i suoi componenti siano perfettamente asciutti quando non è in funzione.

Per pulire il serbatoio (■ 1 ■ 7)

- 1 Pulire la vaschetta dell'acqua con un panno morbido e con aceto in presenza di residui o depositi di calcare all'interno.
- 2 Risciacquare la vaschetta con acqua pulita.

Per pulire il trasduttore (■ 1 ■ 11)

- 1 Versare 2-5 gocce di aceto sulla sua superficie e lasciare agire per 2-5 minuti.
- 2 Eliminare i residui dalla superficie con una spazzola morbida. Non impiegare oggetti duri per raschiare la superficie.
- 3 Risciacquare quindi il serbatoio con acqua pulita.

▲ Non utilizzare saponi, solventi o detergenti spray per pulire il trasduttore.

Per pulire il tubo di uscita

vapore (■ 1 ■ 3)

- 1 Rimuovere il coperchio del serbatoio dell'unità (■ 1 ■ 1).
- 2 Ruotare il coperchio del serbatoio (■ 1 ■ 11) in senso antiorario.
- 3 Rimuovere il coperchio del tubo di uscita vapore e l'anello. (■ 1 ■ 4 & 5)
- 4 Pulire l'insieme con una spazzola o un panno umido e con aceto in presenza di residui o depositi di calcare all'interno.
- 5 Riposizionare l'anello e il coperchio del tubo di uscita vapore come indicato nello schema (■ 3).
- 6 Chiudere il coperchio del serbatoio ruotandolo in senso antiorario e verificando che le tacche siano inserite correttamente in quelle del tubo di uscita vapore.

Per detergere il beccuccio diffusore

dell'apparecchio (■ 1 ■ 2)

- 1 Pulire l'ugello utilizzando una spazzola o un panno umido.
- 2 Sciacquare il beccuccio di emissione di vapore con acqua pulita.

Conservazione

Se non si ha intenzione di utilizzare l'apparecchio per molto tempo, conservare l'umidificatore pulito e asciutto in un luogo fresco, asciutto e al riparo dalla luce.

PROBLEMI E SOLUZIONI

Qualora si dovesse verificare un malfunzionamento durante il normale utilizzo, consultare il seguente elenco:

⊗ **Assenza di spia luminosa di funzionamento, assenza di vapore.**

- ⊗ Assenza di tensione, assenza di corrente.
- ⊗ Verificare il collegamento dell'apparecchio all'alimentazione o la presenza di eventuali problemi a livello di rete.

⊗ **Spia luminosa rossa che lampeggia 5 volte, assenza di vapore.**

- ⊗ Assenza d'acqua nel serbatoio.
- ⊗ Versare acqua pulita e fresca, distillata o demineralizzata.

⊗ **Il vapore ha un odore sgradevole.**

- ⊗ L'apparecchio è nuovo.
- ⊗ Eliminare l'acqua dal serbatoio e lasciarlo all'aria per almeno 12 ore.
- ⊗ L'acqua è inquinata o è rimasta troppo tempo nel serbatoio.
- ⊗ Scollegare l'apparecchio, eliminare l'acqua dal serbatoio, sciacquare e pulire il serbatoio e riempilo con acqua demineralizzata o distillata.

⊗ **Intensità del vapore debole.**

- ⊗ Il beccuccio di emissione di vapore è ostruito.
- ⊗ Scollegare l'apparecchio e pulire il beccuccio di emissione di vapore.

- ⊗ L'acqua è sporca o da troppo tempo nel serbatoio.
- ⊗ Pulire il serbatoio e riempirlo con acqua pulita e fresca.

⊗ **Emissione di rumore anomalo durante il funzionamento.**

- ⊗ L'apparecchio è posizionato su una superficie instabile o non piana.
- ⊗ Scollegare l'apparecchio e posizionarlo su una superficie piana e stabile.

▲ I seguenti effetti non sono considerati malfunzionamenti:

- 1 Se l'acqua è particolarmente dura (contiene molti minerali), l'umidificatore può produrre una specie di polvere bianca. Non si tratta di un malfunzionamento. La soluzione consiste nel

- pulire il filtro anticalcare più spesso o utilizzare acqua meno dura.
- Se ci si trova vicino all'umidificatore, si ode l'acqua gorgogliare, è normale.
 - L'apparecchio non è rumoroso ma non completamente silenzioso. Un livello di rumore inferiore a 35 DB è considerato normale.


CONSIGLI PER LA SOLUZIONE DEI PROBLEMI

L'imballaggio è composto interamente di materiale che non comporta pericoli per l'ambiente e che può essere smaltito dal centro di smaltimento comunale per essere utilizzato come materiale riciclato. Il cartone può essere smaltito tramite raccolta differenziata. Le pellicole di imballaggio devono essere portate al centro di riciclaggio e smaltimento del comune.

POLSKI

WSTĘP

Dziękujemy Państwu za zakup nawilżacza powietrza na zimną mgiełkę Dobra firmy LANAFORM. Nawilżacz Dobra pomaga przywrócić odpowiedni poziom wilgotności i wyeliminować dyskomfort związany z suchym powietrzem. System wentylacyjny rozpyla wodę w postaci zimnej mgiełki, a tym samym zapewnia pożądany poziom wilgotności.

 Zdjęcia i inne ilustracje produktu zawarte w niniejszym podręczniku oraz na opakowaniu są tak dokładne, jak to możliwe, ale nie można zapewnić ich całkowitej zgodności z produktem.

▲ Przed rozpoczęciem korzystania z nawilżacza należy przeczytać wszystkie instrukcje, a w szczególności przedstawione poniżej zalecenia dotyczące bezpieczeństwa.

urządzenie nie jest przewidziane do użytkowania przez osoby (w tym dzieci), których możliwości fizyczne, sensoryczne lub umysłowe są ograniczone, ani przez osoby nieposiadające odpowiedniego doświadczenia lub wiedzy, chyba że korzystają z urządzenia pod opieką osób odpowiedzialnych za ich bezpieczeństwo lub też zostały przez nie poinstruowane, jak używać aparatu. Należy nadzorować dzieci, aby upewnić się, że nie bawią się urządzeniem.

Urządzenie może być używane wyłącznie zgodnie z zaleceniami podanymi w niniejszej instrukcji.

Należy upewnić się, że napięcie w sieci elektrycznej jest zgodne z napięciem znamionowym urządzenia.

Nawilżacz Dobra powinien być zawsze ustawiony na twardej, płaskiej i poziomej

Se desiderate gettare via l'apparecchio, smaltitelo in maniera rispettosa dell'ambiente e secondo le direttive di legge.

GARANZIA LIMITATA

LANAFORM garantisce che questo prodotto è esente da vizi materiali e di fabbricazione per un periodo di due anni a partire dalla data di acquisto, fatta eccezione per le seguenti condizioni specifiche.

La garanzia LANAFORM non copre i danni causati da una normale usura di questo prodotto. Inoltre, la garanzia su questo prodotto LANAFORM non copre danni causati in seguito ad utilizzo improprio o abusivo o di qualsiasi uso errato, incidenti dovuti al collegamento di accessori non autorizzati, modifiche apportate al prodotto o di qual-

siasi altra condizione di qualsiasi natura, che sfugga al controllo di LANAFORM.

LANAFORM non è responsabile per qualsiasi danno accessorio, consecutivo o speciale.

Qualsiasi garanzia implicita o esplicita di conformità del prodotto è limitata ad un periodo di due anni a partire dalla data di acquisto iniziale e laddove sia disponibile una copia della prova di acquisto.

Una volta ricevuto l'apparecchio, LANAFORM si riserva di ripararlo o sostituirlo a seconda del caso e di rispedirlo al cliente. La garanzia vale solo per interventi tramite il Centro Assistenza LANAFORM. Qualsiasi intervento di manutenzione del prodotto affidate a persone esterne al Centro assistenza LANAFORM invalidano la presente garanzia.

powierzchni. Urządzenie należy umieścić w bezpiecznej odległości od ściany (co najmniej 15 cm i z dala od źródeł ciepła, takich jak piec, grzejniki itp.

▲ Urządzenie może działać nieprawidłowo, jeżeli nie zostanie umieszczone na poziomej powierzchni.

Nie wolno podłączać ani odłączać wtyczki urządzenia mokrymi rękami.

Jeżeli przewód zasilający jest uszkodzony, musi zostać wymieniony na podobny przewód dostępny u dostawcy lub w serwisie obsługi posprzedażnej.

Nie wolno pozostawiać urządzenia w miejscu narażonym na bezpośrednie działanie promieni słonecznych.

Zbiornik należy napełniać wyłącznie czystą i świeżą wodą, destylowaną lub demineralizowaną.

Urządzenia ani jego podstawy nie wolno demontować.

Nie należy włączać urządzenia, jeśli w zbiorniku nie ma wody.

Nie potrząsać urządzeniem. Może to spowodować wylanie się wody do podstawy, co może mieć wpływ na działanie urządzenia.

Nigdy nie należy dotykać wody ani części urządzenia podczas jego pracy.

Jeżeli podczas użytkowania urządzenia w sposób opisany w niniejszej instrukcji czuć dziwny zapach, należy wyłączyć urządzenie, odłączyć je od sieci elektrycznej i oddać do kontroli dostawcy lub do serwisu obsługi posprzedażnej.

Nie należy wlewać do zbiornika ciepłej wody, której temperatura jest wyższa niż 40°C.

Przed czyszczeniem urządzenia lub wyjmowaniem zbiornika należy odłączyć urządzenie od sieci elektrycznej.

Nie wolno myć ani zanurzać urządzenia w wodzie. Należy postępować zgodnie z zaleceniami podanymi w niniejszej instrukcji.

Nie należy skrobać przetwornika za pomocą twardych narzędzi. Należy regularnie czyścić nawilżacz Dobra. W tym celu należy postępować zgodnie z zaleceniami dotyczącymi czyszczenia podanymi w niniejszej instrukcji.

Jeżeli urządzenie wpadnie do wody, należy je natychmiast odłączyć od sieci elektrycznej.

Włączonych urządzeń elektrycznych nie wolno pozostawiać bez nadzoru. Jeśli urządzenie nie jest używane, należy odłączyć zasilanie.

Przewód elektryczny należy trzymać z dala od gorących powierzchni.

Nie wolno korzystać z urządzenia w pomieszczeniach, w których są używane aerozole (w sprayu) lub w których podawany jest tlen.

Z nawilżacza należy korzystać tylko wówczas, gdy jest on wypełniony wodą.

Na urządzeniu nie wolno kłaść odzieży ani ręczników. Jeżeli dysza emisji pary jest zatkana, urządzenie może działać nieprawidłowo.

Nigdy nie należy kierować dyszy emisji pary na urządzenia elektryczne, książki lub przedmioty z drewna, na których wówczas może wystąpić pleśń.

Podczas przenoszenia urządzenia należy podnosić je trzymając za podstawę, a nie za zbiornik wody.

Nie należy używać nawilżacza, jeżeli powietrze w pomieszczeniu jest już dostatecznie nawilżone (wilgotność względna 50% lub wyższa). Poziom wilgotności względnej komfortowy dla

człowieka wynosi od 45% do 55%. Nadmierna wilgotność powoduje skraplanie się wody na chłodnych powierzchniach i na zimnych ścianach pomieszczeń. Aby prawidłowo określić poziom wilgotności w pomieszczeniu, należy użyć wilgotnościomierza (higrometru), który można nabyć w większości sklepów specjalistycznych i w supermarketach.

Nawilżacz Dobra przeznaczony jest wyłącznie do użytku domowego.

Należy korzystać wyłącznie z akcesoriów dostarczonych wraz z urządzeniem. Użycie wszelkich niedozwolonych akcesoriów nie jest objęte gwarancją.

Należy zawsze wybierać olejki eteryczne dobrej jakości, czyste i w 100% naturalne oraz przeznaczone do dyfuzora. Do tego urządzenia zdecydowanie zalecamy stosowanie olejków eterycznych LANAFORM. W tym celu należy skorzystać z porad dotyczących stosowania olejków eterycznych zawartych w niniejszej instrukcji.

CZĘŚCI SKŁADOWE URZĄDZENIA [2]

- 1 Pokrywa zbiornika
- 2 Dysza dyfuzora
- 3 Rura wylotowa pary wodnej
- 4 Pierścień rury wylotowej pary wodnej
- 5 Pokrywa rury odpływu pary wodnej
- 6 Maksymalny poziom wody
- 7 Zbiornik
- 8 Podstawa
- 9 Odpływ wody
- 10 Wylot powietrza
- 11 Przetwornik
- 12 Pływak wodny
- 13 Silikonowe stopy
- 14 Wlot powietrza
- 15 Wskaźniki LED
- 16 Sterowanie dotykowe: On/Off ; Intensywność emisji; Tryb nocny
- 17 Światła nastrojowe

ZALECENIA DOTYCZĄCE UŻYTKOWANIA

Zalecenia dotyczące pierwszego użycia

Należy usunąć oryginalne opakowanie nawilżacza i sprawdzić, czy nie posiada on żadnych wad. W przypadku stwierdzenia uszkodzenia nawilżacz należy przekazać dostawcy lub do serwisu obsługi posprzedażnej.

Umieścić nawilżacz Dobra w pomieszczeniu co najmniej pół godziny przed włączeniem celem dostosowania urządzenia do temperatury otoczenia.

Temperatura w pomieszczeniu musi zawsze wynosić od 5°C do 30°C a temperatura wody poniżej 40°C.

Instrukcja obsługi [2]

- Zdjąć pokrywę zbiornika [1 A].
- Następnie wlać do zbiornika czystą i świeżą wodę, destylowaną lub demineralizowaną.



Należy uważać, aby nie napelniać zbiornika, wlewając wodę przez rurę wylotową powietrza [1 B].

Należy również upewnić się, że nie zostanie przekroczona maksymalna linia poziomu wody oznaczona na wewnętrznej ścianie zbiornika [1 C].

- Założyć pokrywę zbiornika na zbiornik.
- Należy pamiętać, aby urządzenie podłączyć i odłączyć suchymi dłońmi.
- Po włączeniu nawilżacza należy nacisnąć jeden raz przycisk dotykowy [1 16].
- Nawilżacz jest gotowy do pracy.



Aby zapewnić optymalną dyfuzję pary, nawilżacz wyposażony jest w pierścień wewnątrz rury wylotowej pary [1 14]. Upewnić się, że ta ostatnia i pokrywa zamykająca rurę wylotowej pary [1 15] są prawidłowo ustawione. [13]

Regulacja intensywności pary wodnej

Wcisnąć kolejno przycisk dotykowy, aby ustawić emisję zimnej pary wodnej [1 16]:

- 1. naciśnięcie przycisku: wybierana jest maksymalna intensywność (ok. 150 ml/h). Dioda LED [1 15] pod symbolem „H” świeci się.
- 2. naciśnięcie przycisku: wybierana jest minimalna intensywność (ok. 120 ml/h). Dioda LED [1 15] pod symbolem „L” świeci się.
- 3. naciśnięcie przycisku: nawilżacz pracuje w trybie „nocnym”. Funkcja białego światła otoczenia zostaje wówczas dezaktywowana, a wskaźnik „N” [1 15] gaśnie po 3 sekundach.

Gdy w zbiorniku nie ma już wody, nawilżacz zatrzyma się, a wskaźnik zaświeci się na czerwono na 5 sekund. Można również zatrzymać urządzenie w każdej chwili, naciskając po raz czwarty przycisk sterowania dotykowego.

Regulacja oświetlenia

Gdy urządzenie jest włączone, domyślnie nie emituje światła z otoczenia.

- Nacisnąć raz przycisk wyboru trybu oświetlenia [1 17]: aktywowane jest ciepłe białe światło.
- Następnie nacisnąć przycisk wyboru trybu oświetlenia [1 17], aby kolejno zmienić temperaturę z światła białego na neutralne, a następnie zimne światło białe.
- Nacisnąć czwarty raz: światło gaśnie.

Ważne uwagi

- Należy używać wyłącznie czystej i świeżej wody, destylowanej lub demineralizowanej, aby zapobiec nieprawidłowemu działaniu urządzenia.
- Nie wlewać wody do dyszy dyfuzora [1 13], aby uniknąć nieprawidłowego działania i ryzyka pożaru.
- Należy upewnić się, że pokrywa zbiornika [1 11] jest szczelnie zamknięta.
- Zbiornik należy utrzymywać w czystości. Jeżeli dysza dyfuzora emituje parę jest zabrudzona, wyczyścić ją szoteczką lub wilgotną szmatką.

▲ Uwaga: pomimo zastosowania mechanizmu bezpieczeństwa wyłączającego działanie przetwornika, należy unikać pozostawiania urządzenia włączonego do prądu poza okresami użytkowania.

▲ Informacje dodatkowe dotyczące stosowania olejków eterycznych

Przed użyciem olejków eterycznych, należy zapoznać się z informacjami dotyczącymi szkodliwych dla zdrowia efektów ubocznych wynikających ze stosowania takich produktów.

Należy zawsze wybierać olejki eteryczne dobrej jakości: czyste i w 100% naturalne oraz przeznaczone do dyfuzora. Olejki należy stosować z umiarem i ostrożnie. Przestrzegać zaleceń i ostrzeżeń podanych na opakowaniach olejków eterycznych. W szczególności należy przestrzegać poniższych zasad:

- Stosowanie olejków eterycznych jest zabronione dla kobiet w ciąży i osób z padaczką, astmą lub alergią, osób z problemami z sercem lub poważnymi patologiami.
- W pokoju dzieci (poniżej 3 roku życia) dozwolone jest tylko stosowanie olejków eterycznych nieprzekraczające 10 minut i tylko wtedy, gdy dziecko nie jest obecne w pokoju.
- Należy upewnić się, że dzieci i osoby niepełnoletnie nie bawią się urządzeniem ani nie używają go.
- Wystarczy tylko kilka kropel olejków eterycznych (najwyżej 3 do 4), aby zapewnić prawidłowe działanie urządzenia i rozpylanie substancji zapachowych. Nadmierna ilość olejków eterycznych może doprowadzić do uszkodzenia urządzenia.
- Przed dodaniem kropli olejków eterycznych należy wlać wodę do zbiornika.
- Firma Lanaform nie odpowiada za jakiegokolwiek uszkodzenia wynikające z nie stosowania się do zaleceń podanych w niniejszej instrukcji.

KONSERWACJA I PRZECHOWYWANIE

Przed konserwacją nawilżacza lub przed jego schowaniem należy zawsze odłączyć go od napięcia.

Jeśli woda zawiera zbyt dużo wapnia i/lub magnezu, w urządzeniu może wytworzyć się biały osad. Jeśli osad ten dostanie się do przetwornika [■ 1 ■ 11], przeszkadza to nawilżaczowi Dobra poprawnie działać.

Konserwacja

Zalecamy

- 1 Stosowanie czystszej i świeższej wody, destylowanej, demineralizowanej lub gotowanej, a następnie chłodzonej przy każdym użyciu.
- 2 Czyszczenie zbiornika co 2 dni i czyszczenie przetwornika co tydzień.
- 3 Czyszczenie urządzenia (zob. instrukcje poniżej) i upewnianie się, że wszystkie części są idealnie suche, gdy urządzenie nie jest używane.

W celu wyczyszczenia

zbiornika [■ 1 ■ 7]

- 1 Wyczyścić zbiornik wody miękką ściereczką. Jeżeli we wnętrzu znajduje się osad lub kamień, użyć octu.
- 2 Przepłukać zbiornik czystą wodą.

Aby wyczyścić przetwornik

[■ 1 ■ 11]

- 1 Nalać od 2 do 5 kropli octu na powierzchnię przetwornika i odczekać od 2 do 5 minut.
- 2 Zetrzeć osad z powierzchni za pomocą miękkiej szczoteczki. Do zeskrobywania powierzchni nie wolno stosować twardych narzędzi.
- 3 Następnie przepłukać zbiornik czystą wodą.

▲ Do czyszczenia przetwornika nie należy stosować mydła ani rozpuszczalników lub środków czyszczących w aerozolu.

W celu czyszczenia rury

wylotowej pary [■ 1 ■ 3]

- 1 Zdjąć pokrywę zbiornika z urządzenia [■ 1 ■ 1].
- 2 Obrócić pokrywę zbiornika [■ 1 ■ 1] w kierunku przeciwnym do ruchu wskazówek zegara.
- 3 Zdjąć pokrywę rury odpływu pary i pierścien. [■ 1 ■ 4 & 5]
- 4 Wyczyścić cały obszar za pomocą szczotki lub wilgotnej szmatki i octu, jeśli w środku znajduje się pianka lub osad wapienny.

- 5 Ponownie umieścić pierścien i pokrywę rury odpływu pary, jak pokazano na schemacie [■ 3].
- 6 Zamknąć pokrywę zbiornika obracając ją w kierunku przeciwnym do ruchu wskazówek zegara i upewniając się, że nacięcia są prawidłowo włożone do otworów w rurze wylotowej pary.

Aby wyczyścić dyszę dyfuzora

urządzenia [■ 1 ■ 2]

- 1 Wyczyścić szczoteczką lub wilgotną szmatką.
- 2 Przepłukać dyszę emisji pary czystą wodą.

Przechowywanie

Jeśli urządzenie nie będzie używane przez dłuższy czas, czysty i osuszony nawilżacz należy przechowywać w chłodnym, suchym i ciemnym miejscu.

ROZWIĄZYWANIE PROBLEMÓW

W przypadku nieprawidłowego działania, przy normalnych warunkach użytkowania, należy zapoznać się z poniższą listą:

⊖ Nie zapala się wskaźnik LED działania, brak pary.

- ⊖ Brak napięcia, brak prądu.
- ⊖ Należy upewnić się, czy urządzenie jest podłączone lub czy nie ma awarii zasilania.

⊖ Czerwona lampka kontrolna, która miga 5 razy, brak pary.

- ⊖ Brak wody w zbiorniku.
- ⊖ Wlać czystą i świeżą wodę, destylowaną lub zdemineralizowaną.

⊖ Para ma nieprzyjemny zapach.

- ⊖ Urządzenie jest nowe.
- ⊖ Należy wylać wodę ze zbiornika i pozostawić go do wyschnięcia przez co najmniej 12 godz.
- ⊖ Woda jest zanieczyszczona lub zbyt długo pozostawała w zbiorniku.
- ⊖ Należy odłączyć urządzenie od prądu, wylać wodę ze zbiornika, oczyścić go i napełnić demineralizowaną lub destylowaną wodą.

⊖ Słaba intensywność pary.

- ⊖ Dysza emisji pary jest zatkana.
- ⊖ Należy odłączyć urządzenie od prądu i oczyścić dyszę emisji pary.
- ⊖ Woda jest zanieczyszczona lub zbyt długo pozostawała w zbiorniku.
- ⊖ Należy wyczyścić zbiornik i napełnić go czystą, świeżą wodą.

⊖ Podczas pracy urządzenia emitowany jest nietypowy dźwięk.

- ⊖ Urządzenie jest umieszczone na niestabilnej lub niepokładnej powierzchni.
- ⊖ Należy odłączyć urządzenie od prądu i postawić je na płaskiej i stabilnej powierzchni.

▲ Następujące przypadki nie są uważane za zakłócenia w działaniu:

- 1 Jeżeli woda jest wyjątkowo twarda (zawiera dużo minerałów), nawilżacz może wytworzyć rodzaj białego pyłu. Nie jest to wadliwe działanie. Rozwiązaniem jest częstsze czyszczenie filtra przeciw osadzeniu się kamienia lub stosowanie mniej twardej wody.
- 2 Osoba stojąca w pobliżu nawilżacza słyszy bulgotanie wody i jest to normalne.
- 3 Urządzenie działa bardzo cicho, ale nie całkowicie cicho. Poziom hałasu mniej niż 35 dB jest uważany za normalny.



WSKAZÓWKI DOTYCZĄCE ELIMINACJI ODPADÓW

Opakowanie w całości składa się z materiałów niestwarzających zagrożenia dla środowiska, które mogą zostać przekazane do lokalnego punktu sortowania odpadów, aby poddać je recyklingowi. Karton można wrzucić do pojemnika przeznaczanego na papier. Folie od opakowania powinny zostać przekazane do lokalnego punktu sortowania odpadów.

Jeśli urządzenie nie będzie już więcej używane, należy pozbyć się go z poszanowaniem środowiska i w sposób zgodny z lokalnymi regulacjami prawnymi.

GWARANCJA OGRANICZONA

LANAFORM gwarantuje, że niniejszy produkt jest wolny od wad materiałowych i fabrycznych przez okres dwóch lat licząc od daty zakupu, za wyjątkiem przypadków określonych poniżej.

Gwarancja LANAFORM nie obejmuje uszkodzeń spowodowanych normalnym zużyciem produktu. Ponadto, gwarancja udzielana w odniesieniu do tego produktu LANAFORM nie obejmuje szkód spowodowanych nadmiernym, nieprawidłowym lub w inny sposób niedozwolonym użytkowaniem produktu, jak również wypadkiem, użyciem niedozwolonych akcesoriów, przeprowadzeniem przeróbek oraz wszelkimi innymi okolicznościami pozostającymi poza kontrolą firmy LANAFORM.

LANAFORM nie ponosi żadnej odpowiedzialności za tego rodzaju szkody dodatkowe, przyczynowe lub specjalne.

Wszelkie gwarancje dotyczące parametrów produktu obowiązują jedynie w okresie dwóch lat licząc od daty początkowego zakupu, pod warunkiem przedstawienia dowodu zakupu.

Po odesłaniu produktu, LANAFORM przeprowadzi jego naprawę lub wymianę na nowy, w zależności od okoliczności. Gwarancja może zostać zrealizowana jedynie przez Centrum Serwisowe LANAFORM.

W przypadku przeprowadzenia jakichkolwiek czynności dotyczących utrzymania niniejszego produktu przez osoby inne, niż Centrum Serwisowe LANAFORM powoduje unieważnienie niniejszej gwarancji.

ČESKY

ÚVOD

Děkujeme, že jste si zakoupili zvlhčovač se studenou párou Dobra značky Lanaform. Zvlhčovač vzduchu Dobra vám pomůže obnovit vhodnou vlhkost a odstranit problémy spojené se suchým vzduchem. Ventilací systém vypouští vodu ve formě studené páry a zajišťuje tak požadovanou úroveň vlhkosti.

Fotografie a jiné obrázky produktu v tomto návodu nebo na obalu představují co možná nejvěrnější znázornění výrobku, nelze však zaručit, že výrobku dokonale odpovídají.

▲ Než začnete zvlhčovač vzduchu používat, přečtěte si všechny pokyny, zejména následující základní bezpečnostní upozornění.

Výrobek není určen k použití osobami se sníženými tělesnými, smyslovými či duševními schopnostmi (včetně dětí) ani osobami s nedostatkem znalostí či zkušeností, pokud na tyto osoby nedohlíží osoba odpovědná za jejich bezpečí nebo pokud jim tato osoba předem nesdělí pokyny týkající se použití tohoto výrobku. Je třeba zajistit, aby si s výrobkem nehráli děti.

Tento výrobek používejte výhradně v souladu s návodem k použití popsaným v této příručce.

Ověřte, zda napětí ve vaší elektrické síti odpovídá údajům o napětí přístroje.

Zvlhčovač Dobra vždy pokládejte na rovný, tvrdý a vodorovný povrch. Neumísťujte jej těsně ke stěně (minimální vzdálenost 15 cm a chráňte jej před zdroji tepla, jako jsou kamna, radiátory atd.

▲ Pokud přístroj neumísíte na vodorovnou plochu, může se stát, že nebude správně fungovat.

Nezapojujte ani neodpojujte elektrickou zástrčku přístroje mokřkýma rukama.

V případě poškození napájecího kabelu je nutné jej nahradit obdobným kabelem, který získáte od dodavatele nebo v jeho servisním středisku.

Nevystavujte přístroj přímému slunečnímu záření.

Do nádrží lijte destilovanou nebo demineralizovanou čistou čerstvou vodu.

Přístroj ani jeho základnu nerozebírejte.

Není-li v nádržce voda, přístroj nezapínejte. Netěste přístrojem. Hrozí vyhlití vody do základny a poškození přístroje.

Je-li přístroj zapnutý, nikdy se nedotýkejte vody ani vnitřních součástí.

Jestliže začne přístroj při použití popsaném v této příručce vydávat netypický zápach, vypněte jej, odpojte jej a nechte jej zkontrolovat dodavatelem nebo jeho servisním střediskem.

Nelijte do nádržky teplou vodu, tedy vodu o teplotě vyšší než 40 °C.

Před čištěním nebo vyjmutím nádržky přístroj odpojte od elektrické sítě.

Neomývejte celý přístroj vodou a neponořujte jej do vody. Prostudujte si pokyny pro čištění uvedené v této příručce.

Měníč přístroje nikdy neoškrábávejte tvrdými nástroji. Zvlhčovač vzduchu Dobra je třeba pravidelně čistit. Prostudujte si pokyny pro čištění přístroje v této příručce a dodržujte je.

Pokud vám přístroj spadne do vody, okamžitě jej odpojte od elektrické sítě a teprve poté jej vytáhněte.

Žádný elektrický přístroj nesmí zůstat zapojený bez dozoru. Pokud přístroj nepoužíváte, odpojte jej.

Napájecí kabel chráňte před horkými povrchy.

Přístroj nikdy nepoužívejte na místech, kde se používají aerosolové přípravky (spreje), ani v místnostech, do kterých je přiváděn kyslík.

Zvlhčovač používejte pouze, pokud je naplněn vodou.

Nezakrývejte přístroj oděvy ani jinými látkami. Zakrytí trysky na vypouštění páry může způsobit poruchu přístroje.

Nesmějte trysku na vypouštění páry směrem k elektrickým přístrojům, knihám nebo předmětům ze dřeva, u nichž se může vyskytnout plíseň.

Při penášení přístroj zvedejte za základnu, nikoli za nádržku na vodu.

Je-li vzduch v místnosti již dostatečně vlhký (relativní vlhkost přes 50 %), zvlhčovač nepoužívejte. Ideální relativní vlhkost vzduchu, kterou lidské tělo pocítuje jako nejpříjemnější, se pohybuje od 45 % do 55 %. Nadměrná vlhkost se projevuje kondenzací na studených površích nebo stěnách místnosti. K přesnému

zjištění relativní vlhkosti vzduchu v místnosti použijte vlhkoměr, který lze zakoupit ve většině specializovaných prodejen i obchodních domů.

Zvlhčovač vzduchu Dobra je určen výhradně pro domácí použití v interiéru.

Používejte jen příslušenství dodávané s tímto přístrojem. Na použití nepovoleného příslušenství se nevztahuje záruka.

Vybírejte si vždy jen kvalitní esenciální oleje: čisté, 100 % přírodní a určené k difuzi. Důrazně Vám doporučujeme používat s tímto přístrojem esenciální oleje Lanaform. Z toho důvodu si prostudujte pokyny k použití esenciálních olejů v této příručce.

SOUČÁSTI PŘÍSTROJE [1]

- 1 Víčko nádržky
- 2 Tryska difúzeru
- 3 Trubička výstupu páry
- 4 Těsnění trubičky výstupu páry
- 5 Víčko trubičky výstupu páry
- 6 Maximální hladina vody
- 7 Nádržka
- 8 Základna
- 9 Výstup vody
- 10 Výstup vzduchu
- 11 Měníč
- 12 Plovák
- 13 Silikonové nožičky
- 14 Vstup vzduchu
- 15 LED kontrolky
- 16 Dotykový ovladač: ON/Off; Intenzita vypouštění; Noční režim
- 17 Světlo pro příjemnou atmosféru

POKYNY K POUŽITÍ

Pokyny před prvním použitím

Vybalte zvlhčovač z původního obalu a zkontrolujte, že nevykazuje žádné známky poškození. Pokud ano, vraťte přístroj svému dodavateli či jeho servisnímu středisku.

Zvlhčovač vzduchu Dobra postavte do místnosti půl hodiny předtím, než jej zapnete, aby se přizpůsobil okolní teplotě.

Teplota v místnosti musí být mezi 5 a 30 °C a teplota vody nižší než 40 °C.

Návod k použití [2]

- Sejměte víčko nádržky [1A].
- Poté do nádržky nalijte destilovanou nebo demineralizovanou čistou čerstvou vodu.



Nelijte do nádržky vodu přes výstup vzduchu [1 B].

Dávejte rovněž pozor, abyste nepřekročili rysku maximální hladiny vody na vnitřní stěně nádržky [1 C].

- Vraťte zpět víčko nádržky.
- Dbejte na to, abyste měli při zapojování či odpojování přístroje dokonale suché ruce.
- Po zapojení přístroje do sítě stiskněte jednu tlačítko dotykového ovladače [1 16].
- Zvlhčovač vzduchu je nyní funkční.



Zvlhčovač je vybaven těsněním uvnitř trubičky výstupu páry [1 4], aby byla zajištěna optimální difuze. Dávejte pozor, aby bylo těsnění i víčko výstupu páry [1 5] řádně na místě. [1 3]

Nastavení intenzity vypařování

Opakovaným stisknutím tlačítka dotykového ovladače nastavte vypouštění studené páry [1 15]:

1. Stisknutí: je zvolena maximální intenzita (přibližně 150 ml/hod.). Rozsvítí se LED kontrolka [1 15] pod symbolem „H“.
2. Stisknutí: je zvolena minimální intenzita (přibližně 120 ml/hod.). Rozsvítí se LED kontrolka [1 15] pod symbolem „L“.
3. Stisknutí: zvlhčovač se přepne do nočního režimu. Vypne se funkce bílého ambientního světla a po 3 vteřinách zhasne kontrolka [1 15] „“.

Pokud již v nádržce není žádná voda, zvlhčovač se vypne a kontrolka se na 5 vteřin rozsvítí červeně. Přístroj můžete rovněž kdykoliv vypnout tím, že tlačítko dotykového ovladače stisknete poctvrte.

Nastavení světla

Přístroj po zapnutí standardně nenabízí žádné světlo pro příjemnou atmosféru.

- Stiskněte jednou tlačítko volby světelného režimu [1 17]: rozsvítí se bílé světlo teplého odstínu.
- Opakovaným stisknutím tlačítka volby světelného režimu [1 17] změníte teplotu bílého světla na neutrální a pak studenou.
- Stiskněte tlačítko poctvrte: světlo zhasne.

Důležité poznámky

- Používejte pouze destilovanou nebo demineralizovanou čistou čerstvou vodu. Zabráníte tak poruše přístroje.
- Nelijte vodu do trubičky výstupu vzduchu [1 5], aby nedošlo k poškození přístroje nebo k požáru.
- Víčko nádržky [1 11] hermeticky uzavírejte.
- Nádržku je třeba udržovat v čistotě. Pokud se na trysce vypouštějící páru nashromáží

dí nečistoty, očistěte je kartáčkem nebo vlhkým hadříkem.

▲ Upozornění: i když je přístroj vybaven bezpečnostním prvkem, který vypíná provoz měniče, nenechávejte přístroj zapojený do zásuvky v době, kdy jej nepoužíváte.

▲ Doplnující informace o použití esenciálních olejů

Než začnete používat esenciální oleje, informujte se o negativních vlivech na zdraví, které může použití těchto látek vyvolávat.

Vybírejte si vždy jen kvalitní esenciální oleje: čisté, 100% přírodní a určené k difuzi. Používejte je střídavě a opatrně. Dodržujte pokyny a upozornění uvedené na balení esenciálních olejů, přičemž dbejte především na následující:

- Použití esenciálních olejů je zakázáno u těhotných a kojících žen, osob trpících epilepsií, astmatem nebo alergiemi, u osob s chorobami srdce a osob ve vážném zdravotním stavu.
- V místnostech, kde se pohybují malé děti (mladší 3 let), je povoleno esenciální oleje používat po dobu maximálně 10 minut, a to výhradně v době, kdy děti nejsou v dané místnosti přítomny.
- Dbejte na to, aby si s přístrojem nehrály a nepoužívaly jej děti a mladiství.
- K zajištění dobrého fungování přístroje a šíření vůně postačí několik kapek esenciálního oleje (maximálně 3 až 4 kapky). Používáním nadměrného množství esenciálních olejů se může přístroj poškodit.
- Než do nádržky nakapete esenciální olej, napusťte do ní vodu.
- Společnost Lanaform nenese odpovědnost za poškození přístroje způsobené nevhodným použitím, které neodpovídá pokynům uvedeným v této příručce.

ÚDRŽBA A UCHOVÁVÁNÍ

Před údržbou a úklidem zvlhčovač vždy vypněte ze sítě.

Obsahuje-li voda příliš mnoho vápníku a/ nebo hořčíku, může se v přístroji ukládat bílý prášek. Pokud se tento nános vytvoří na převodníku [1 11], nebude zvlhčovač Dobra fungovat správně.

Údržba

Doporučení

- 1 V přístroji vždy používejte jen destilovanou, demineralizovanou nebo převařenou a vychlazenou čistou čerstvou vodu.
- 2 Nádržku čistěte každé 2 dny a převodník každý týden.
- 3 Přístroj pravidelně čistěte (prostudujte si výše uvedené informace) a

všechny součásti nepoužívaného přístroje nechte dokonale uschnout.

Čištění nádržky [1 1 7]

- 1 Očistěte nádržku vodou a měkkým hadříkem, případně octem, pokud se uvnitř vytvořily vápenaté usazeniny.
- 2 Propláchněte nádržku čistou vodou.

Čištění měniče [1 1 11]

- 1 Na povrch měniče kápněte 2 až 5 kapek octa a 2 až 5 minut počkejte.
- 2 Usazeniny z povrchu očistěte jemným kartáčkem. Neoškrabávejte povrch tvrdými nástroji.
- 3 Propláchněte poté nádržku čistou vodou.

▲ Nečistěte převodník mýdlem, rozpuštědly ani čistícími prostředky ve spreji.

Čištění trubičky výstupu páry [1 1 3]

- 1 Sejměte víčko nádržky [1 1 1].
- 2 Otáčejte víčkem nádržky [1 1 1] proti směru hodinových ručiček.
- 3 Sejměte víčko a těsnění trubičky výstupu páry. [1 4 5]
- 4 Očistěte vše vodou a měkkým hadříkem, případně octem, pokud se uvnitř vytvořily vápenaté usazeniny.
- 5 Vraťte těsnění a víčko trubičky výstupu páry dle obrázku [1 4].
- 6 Uzavřete víčko nádržky jeho otáčením proti směru otáčení hodinových ručiček a dávejte pozor, aby zářezy správně zapadly do zářezů trubičky výstupu páry.

Čištění trysky difuzéru [1 1 2]

- 1 Očistěte trysku kartáčkem nebo vlhkým hadříkem.
- 2 Nádržku v základně propláchněte čistou vodou.

Uchovávání

Pokud máte v úmyslu přístroj delší dobu nepoužívat, uložte ho vyčištěný a osušený na suché tmavé místo.

PORUCHY A JEJICH ŘEŠENÍ

V případě poruchy za normálních provozních podmínek využijte informace v následujícím seznamu:

⊗ **Nesvítí kontrolka, přístroj nevypouští páru.**

⊗ Žádné napětí a proud.

⊗ Zkontrolujte, zda je přístroj zapojen do zásuvky a zda nedošlo k výpadku elektrické sítě.

☹ Červená kontrolka pětikrát zablikala, přístroj nevypouští páru.

- ⑦ V nádržce není voda.
- ☹ Nalijte do nádržky destilovanou nebo demineralizovanou čistou čerstvou vodu.
- ☹ **Pára nepřijemně zapáchá.**
- ⑦ Přístroj je nový.
- ☹ Vylijte vodu z nádržky a nechte ji po dobu minimálně 12 hodin vyvětrat.
- ⑦ Voda je znečištěná nebo zůstala v nádržce příliš dlouho.
- ☹ Přístroj vypněte ze sítě, vylijte vodu z nádržky, propláchněte ji a vyčistěte a poté ji naplňte destilovanou nebo demineralizovanou vodou.
- ☹ **Slabá intenzita páry.**
- ⑦ Tryska pro vypouštění páry je ucpaná.
- ☹ Přístroj vypněte ze sítě a očistěte trysku pro vypouštění páry.
- ⑦ Voda je špinavá nebo zůstala v nádržce příliš dlouho.
- ☹ Nádržku očistěte a naplňte ji čistou čerstvou vodou.
- ☹ **Abnormální hluk při provozu.**
- ⑦ Přístroj je umístěn na nestabilní nebo nerovné ploše.
- ☹ Přístroj vypněte ze sítě a umístěte ho na rovnou a stabilní plochu.

▲ Následující jevy se nepovažují za poruchu:

- 1 Pokud používáte příliš tvrdou vodu (obsahující velké množství minerálů), může zvlhčovač vytvářet bílý prášek. Nejde o závadu. Řešením je častější čištění filtru pro zachycení vodního kamene nebo používání měkčí vody.
- 2 Pokud se nacházíte v blízkosti zvlhčovače a slyšíte bublání vody, je to normální.
- 3 Přístroj není příliš slyšet, ale zcela tichý není. Hluk do 35 DB se považuje za normální.

RADY Z OBLASTI LIKVIDACE ODPADŮ

Celé balení je tvořeno materiály bez nebezpečných dopadů na životní prostředí, které tedy lze ukládat ve střediscích pro třídění odpadu za účelem následného druhotného využití. Papírový obal lze vyhodit do kontejnerů k tomu určených. Ostatní obalové materiály musí být předány do recyklačního střediska.

V případě ztráty zájmu o další používání tohoto zařízení je zlikvidujte způsobem ohleduplným k životnímu prostředí a v souladu s platnou právní úpravou.

OMEZENÁ ZÁRUKA

Společnost LANAFORM se zaručuje, že tento výrobek je bez jakékoliv vady materiálu či zpra-

cování, a to od data prodeje po dobu dvou let, s výjimkou níže uvedených specifikací.

Záruka společnosti LANAFORM se nevztahuje na škody způsobené běžným používáním tohoto výrobku. Mimo jiné se záruka v rámci tohoto výroku společnosti LANAFORM nevztahuje na škody způsobené chybným nebo nevhodným používáním či jakýmkoliv špatným užíváním, nehodou, připojením nedovolených doplňků, změnou provedenou na výrobku či jiným zásahem jakékoliv povahy, na který nemá společnost LANAFORM vliv.

Společnost LANAFORM nenese odpovědnost za jakoukoliv škodu na doplňcích, ani za následné či speciální škody.

Veškeré záruky vztahující se na způsobilost výrobku jsou omezeny na období dvou let od prvního zakoupení pod podmínkou, že při reklamaci musí být předložen doklad o zakoupení tohoto zboží.

Po přijetí zboží k reklamaci, společnost LANAFORM v závislosti na situaci toto zařízení opraví či nahradí a následně vám ho odešle zpět. Záruku lze uplatňovat výhradně prostřednictvím Servisního střediska společnosti LANAFORM. Jakákoliv údržba tohoto zařízení, která by byla svěřena jiné osobě než pracovníkům Servisního střediska společnosti LANAFORM, ruší platnost záruky.

SLOVENČINA

ÚVOD

Ďakujeme vám, že ste si kúpili zvlhčovač Dobra so studenou parou a horúcou parou od spoločnosti LANAFORM. Zvlhčovač Dobra vám pomôže obnoviť správnu úroveň vlhkosti a odstrániť nepohodlie spojené so suchým vzduchom. Ventilačný systém rozptyľuje vodu vo forme studenej pary a zabezpečuje požadovanú úroveň vlhkosti.

- ☑ Fotografie a iné prezentácie produktu v tomto návode a na obale sú pripravené tak, aby boli čo najpresnejšie, no nemožno zaručiť úplnú zhodu s produktom.

▲ Pred použitím zvlhčovača si prečítajte všetky pokyny, najmä niektoré základné bezpečnostné pokyny.

Zariadenie nie je určené pre osoby so zníženými telesnými, zmyslovými alebo duševnými schopnosťami (vrátane detí), ani pre osoby s nedostatkom vedomosti alebo skúsenosti, ak na tieto osoby nedozera osoba zodpovedná za ich bezpečie alebo ak im táto osoba vopred neoznámí pokyny týkajúce sa použitia výrobku. Dohľadnite na to, aby sa so zariadením nehrali deti.

Toto zariadenie používajte výlučne v súlade s návodom na použitie, ktorý je tu uvedený.

Skontrolujte, či napätie v sieti zodpovedá napätiu zariadenia.

Zvlhčovač Dobra vždy kladte na rovný, tvrdý a vodorovný povrch. Neumiestňujte ho tesne ku stene (minimálne vo vzdialenosti 15 cm a chráňte ho pred zdrojmi tepla, ako sú rúrohratie panvice, radiátory atď.

▲ Ak prístroj nie je na vodorovnej podložke, môže sa stať, že nebude fungovať správne.

Zástrčku zariadenia nezapájajte ani neodpájajte mokrymi rukami..

V prípade poškodenia elektrického kábla je nutné nahradiť ho káblom, ktorý získate od dodávateľa alebo v jeho servisnom stredisku.

Zariadenie nenechávajte na priamom slnečnom svetle.

Nádržku naplňte čistou a čerstvou destilovanou alebo deionizovanou vodou.

Nerozoberajte prístroj ako celok, ani jeho základnú jednotku.

Ak v nádržke nie je voda, prístroj nezapínajte.

Prístrojom netraсте. Mohlo by to spôsobiť rozliatie vody do základnej jednotky a ovplyvniť jej funkciu.

Nikdy sa nedotýkajte vody a komponentov, keď je jednotka zapnutá.

Ak počas používania podľa tohto návodu zo zariadenia vychádza neobvyklý zápach, nechajte ho skontrolovať dodávateľom alebo v popredajnom servisnom stredisku.

Nelejte do nádržky teplú vodu, teda vodu s teplotou vyššou ako 40 °C.

Pred čistením prístroja alebo vyberaním jeho nádržky ho odpojte z napájania.

Neumývajte celú jednotku vodou ani ju nepo-nárajte. Pozrite si pokyny na čistenie uvedené v tejto príručke.

Nikdy neoškrabávajte snímač s pevným nástrojom. Zvlhčovač Dobra je potrebné pravidelne čistiť. V prípade čistenia si prečítajte rady o čistení v tomto návode a postupujte podľa nich.

Ak zariadenie spadne do vody, skôr, ako ho vyberiete, odpojte ho okamžite od zdroja napájania elektrickej energie.

Prístroj nesmie nikdy zostať bez dozoru, keď je zapojený do siete. Ak sa nepoužíva, odpojte ho zo zdroja napájania.

Napájací kábel držte v bezpečnej vzdialenosti od horúcich povrchov.

Nikdy tento prístroj nepoužívajte v miestnosti, kde sa používajú aerosolové výrobky (spreje), ani v miestnosti, do ktorej sa vypúšťa kyslík.

Zvlhčovač nepoužívajte, ak je naplnený vodou.

Nekladte oblečenie ani úteráky na hornú časť prístroja. Ak sa upchá dýza na uvoľňovanie pary, môže dôjsť k poruche.

Nikdy nevedte dýzu na uvoľňovanie pary smerom k elektrickým prístrojom, knihám alebo dreveným predmetom, pri ktorých hrozí riziko navlhnutia.

Pri presúvaní prístroja ho zodvihnite za základňu. Nedvíhajte ho za nádržku s vodou.

Nepoužívajte zvlhčovač vzduchu v miestnosti, ktorá je už dostatočne vlhká (najmenej 50 % relatívnej vlhkosti vzduchu). V skutočnosti sa ideálna relatívna vlhkosť pre pohodlie človeka pohybuje medzi 45 % a 55 %. Prebytočná vlhkosť sa prejavuje kondenzáciou na chladných povrchoch alebo chladných stenách miestnosti. Na správne stanovenie obsahu vlhkosti miestnosti použite vlhkomer, ktorý dostanete vo väčšine špecializovaných obchodov a supermarketov.

Zvlhčovač Dobra je navrhnutý výlučne na použitie vnútri a v domácnosti.

Používajte len príslušenstvo, ktoré sa dodáva s týmto prístrojom. Pri použití akéhokoľvek príslušenstva, ktoré nie je schválené, môžete stratiť záruku.

Vždy si vyberajte kvalitné éterické oleje: 100 % čisté a prírodné, určené na difúziu. Pre tento prístroj dôrazne odporúčame používať éterické oleje LANAFORM. Z toho dôvodu si prečítajte pokyny na používanie esenciálnych olejov v tejto príručke.

OPIS PRÍSTROJA [1]

- 1 Kryt nádržky
- 2 Dýza difúzora
- 3 Hadička na výstup pary
- 4 Krúžok výstupnej hadičky na paru
- 5 Kryt výstupnej hadičky na paru
- 6 Maximálna hladina vody
- 7 Nádržka
- 8 Základňa
- 9 Vývod vody
- 10 Vývod vzduchu
- 11 Snímač
- 12 Vodný plavák
- 13 Silikónové nôžky
- 14 Prívod vzduchu
- 15 LED kontrolka

16 Dotykové ovládanie: tlačidlo Zap./

Vyp., intenzita emisií, režim „Noc“

17 Náladové osvetlenie

NÁVOD NA POUŽÍVANIE

Návod pred prvým použitím

Odbaľte prístroj z jeho pôvodného obalu a skontrolujte, či nie je poškodený. V prípade zistenej poruchy odneste zvlhčovač k dodávateľovi alebo jeho servisného strediska.

Zvlhčovač Dobra postavte do miestnosti po hodiny predtým, ako ho zapnete, aby sa prispôbil okolitej teplote.

Teplota prístroja má byť vždy v rozmedzí od 5 °C do 30 °C a teplota vody do 40 °C.

Návod na použitie [2]

- Zložte veko nádržky [1 A].
- Potom do nádržky nalejte čistú a čerstvú destilovanú alebo demineralizovanú vodu.



Nádržku nenapĺňajte nalievaním vody cez výstupnú hadičku vzduchu [1 B].

Dajte pozor, aby ste neprekročili hranicu maximálnej hladiny vody na vnútornej strane nádrže [1 C].

- Znovu nasadte kryt nádržky.
- Dbajte na to, aby ste pri zapájaní a odpájaní mali suché ruky.
- Keď bude zvlhčovač zapojený, zatlačte raz na dotykový spínač [1 16].
- Teraz je zvlhčovač funkčný.



S cieľom zabezpečiť optimálnu difúziu pary je zvlhčovač vybavený prstencom vnútri prívodnej hadičky pary [1 4]. Uistite sa, že tento prstenec a uzatvárací kryt výstupnej hadičky pary [1 5] sú správne uzavreté. [3]

Regulácia intenzity pary

Opakovaným stláčaním tlačidla na dotykové ovládanie regulujete uvoľňovanie studenej pary [1 16]:

- 1. tlak: zvolená je maximálna intenzita (asi 150 ml/h). Rozsvieti sa kontrolka LED [1 15] pod symbolom „H“.
- 2. tlak: zvolená je minimálna intenzita (asi 120 ml/h). Rozsvieti sa kontrolka LED [1 15] pod symbolom „L“.
- 3. tlak: zvlhčovač pracuje v nočnom režime. Funkcia bieleho svetla sa potom deaktivuje a kontrolka [1 15], „☾“ zhasne po 3 sekundách.

Ak v nádržke nie je voda, zvlhčovač sa zastaví a kontrolka sa rozsvieti na červeno. Môžete ho tiež kedykoľvek vypnúť stlačením tlačidla na dotykové ovládanie štvrtýkrát.

Nastavenie osvetlenia

Keď je prístroj zapnutý, v predvolenom nastavení nevydáva žiadne náladové svetlo.

- Prvýkrát stlačte tlačidlo výberu režimu osvetlenia [1 17]: zapne sa teplé biele svetlo.
- Potom stlačte tlačidlo výberu režimu svetla [1 17], čím zmeníte teplotu bieleho svetla na neutrálne a potom studené biele svetlo.
- Stlačte štvrtýkrát: svetlo zhasne.

Dôležité poznámky

- Používajte len čistú a čerstvú destilovanú alebo demineralizovanú vodu. Zabráňte tým poruche prístroja.
- Nelejte vodu do hadičky vývodu vzduchu [1 3]. Hrozí poškodenie prístroja alebo požiar.
- Kryt nádržky hermeticky uzavrite [1 11].
- Nádržku je potrebné udržiavať čistú. Ak sú na dýze difúzora emisii pár nečistoty, očistite ju kefou alebo vlhkou handričkou.

▲ Upozornenie: napriek bezpečnostnému zariadeniu, ktoré preruší prevádzku snímača, nenechávajte prístroj zapnutý, keď ho nepoužívate.

▲ Ďalšie informácie o použití éterických olejov

Skôr, ako začnete používať éterické oleje, informujte sa o negatívnych vplyvoch na zdravie, ktoré môže použitie týchto látok mať.

Vždy si vyberajte kvalitné éterické oleje: 100 % čisté a prírodné, určené na difúziu. Používajte ich striedmo a opatrne. Riadte sa pokynmi a upozorneniami uvedenými na obaloch éterických olejov a vezmite do úvahy najmä nasledujúce skutočnosti:

- Použitie éterických olejov je zakázané v prípade tehotných žien a osôb trpiacich epilepsiou, astmou alebo alergiou, osôb so srdcovými problémami alebo závažnými ochoreniami.
- V miestnostiach, kde sa pohybujú malé deti (mladšie ako 3 roky), je povolené používať éterické oleje maximálne 10 minút, a to výlučne v čase, keď deti nie sú v príslušnej miestnosti prítomné.
- Dbajte na to, aby sa s prístrojom nehrali a nepoužívali ho deti a mladisti.
- Na zaistenie dobrého fungovania prístroja a šírenia vône postačí niekoľko kvapiek esenciálnych olejov (maximálne 3 až 4 kvapky). Nadmerné používanie esenciálnych olejov môže viesť k poškodeniu prístroja.
- Pred pridaním kvapky éterických olejov vždy najprv do nádržky nalejte vodu.
- Spoločnosť Lanaform nenesie zodpovednosť za poškodenie prístroja spôsobené

nevhodným použitím, ktoré nezodpovedá pokynom uvedeným v tejto príručke.

ÚDRŽBA A ODKLADANIE

Pred vykonaním údržby a uschovaním zvlhčovača vždy odpojte z napájania.

Ak voda obsahuje príliš veľa vápnika a/alebo horčíka, môže dôjsť k vytváraniu „bieleho prášku“ v prístroji. Ak sa tento nános vytvorí na prevodníku (1), zvlhčovač Dobra nebude správne fungovať.

Údržba

Odporúčame

- 1 Pri každom použití v prístroji vždy používajte len čistú a čerstvú destilovanú, demineralizovanú alebo prevarenú a potom vychladnutú vodu.
- 2 Nádržku čistíte každý 2. deň a snímač vyčistíte každý týždeň.
- 3 Prístroj pravidelne čistíte (prečítajte si informácie uvedené vyššie) a všetky súčasti nepoužívaného prístroja nechajte dokonale vyschnúť.

Čistenie nádržky (1) (2)

- 1 Vyčistíte nádržku na vodu pomocou mäkkej handričky a octu, ak sa vnútri vytvoril kal alebo vodný kameň.
- 2 Vypláchnite nádržku čistou vodou.

Na čistenie snímača (1) (2) (3)

- 1 Na povrch naneste 2 až 5 kvapiek octu a nechajte ich pôsť 2 až 5 minút.
- 2 Usadeniny z povrchu očistíte jemnou kefkou. Nepoužívajte tvrdé nástroje, aby ste nepoškriabali povrch.
- 3 Potom vypláchnite nádržku čistou vodou.

▲ na čistenie snímača nepoužívajte mydlo ani rozpúšťadlá v spreji.

Čistenie výstupnej hadičky

pary (1) (2) (3)

- 1 Odstráňte kryt nádržky z jednotky (1) (2) (3).
- 2 Otáčajte kryt nádržky (1) (2) (3) proti smeru hodinových ručičiek.
- 3 Vyberte kryt hadičky na vývod pary aj krúžok. (1) (2) (3) (4) (5)
- 4 Vyčistíte ich spolu pomocou mäkkej kefy alebo navlhčenej handričky a octu, ak sa vnútri vytvoril kal alebo vodný kameň.
- 5 Znovu nasadíte krúžok a kryt prívodnej hadičky pary, ako je to znázornené na obrázku (3).
- 6 Zatvorte kryt nádržky jeho otočením proti smeru hodinových ručičiek

a uistíte sa, že sú zárezy správne vložené do výstupnej hadičky pary.

Čistenie dýzy difuzéra

prístroja (1) (2)

- 1 očistíte ju vlhkou handričkou alebo kefkou,
- 2 opláchnite dýzu na uvoľňovanie pary čistou vodou,

Skladovanie

Ak prístroj nebudete dlhodobou používať, uložte očisteným a vysušeným zvlhčovač na chladné, suché miesto a chránený pred svetlom.

PORUCHY A ICH RIEŠENIE

Ak pri normálnych podmienkach používania dôjde k nesprávnej funkcii, pozrite si nasledujúci zoznam:

☹ Nesvieti kontrolka fungovania, nevytvára sa žiadna para.

- ☹ Prístroj je bez napätia aj prúdu.
- ☹ Skontrolujte, či je prístroj pripojený alebo či nie je chyba v tejto oblasti.

☹ Červená kontrolka zablíka 5-krát a nevyhadza žiadna para.

- ☹ V nádržke nie je voda.
- ☹ Nalejte čistú a čerstvú destilovanú alebo deionizovanú vodu.

☹ Para má neprijemný zápach.

- ☹ Prístroj je nový.
- ☹ Vylejte vodu z nádržky a nechajte ju vysušiť na vzduchu minimálne 12 hodín.

- ☹ Voda je znečistená alebo bola v nádržke dlhý čas.
- ☹ Odpojte prístroj, vylejte z nádržky vodu, opláchnite a vyčistíte ju a naplňte ju demineralizovanou alebo destilovanou vodou.

☹ Intenzita pary je slabá.

- ☹ Dýza na uvoľňovanie pary je upchatá.
- ☹ Odpojte prístroj a vyčistíte dýzu na uvoľňovanie pary.

- ☹ Voda je znečistená alebo bola v nádržke dlhý čas.
- ☹ Nádržku vyčistíte a naplňte čistou a čerstvou vodou.

☹ Abnormálne emisie hluku počas funkcie.

- ☹ Prístroj je položený na nestabilnom alebo nerovnom povrchu.
- ☹ Odpojte prístroj alebo ho položte na rovný a stabilný povrch.

▲ Nasledujúce účinky sa nepovažujú za poruchy:

- 1 Ak je vaša voda obzvlášť tvrdá (obsahuje veľa minerálov), zvlhčovač

môže vytvoriť akýsi biely prach. Nie je to chyba. Riešením je častejšie čistiť filter vodného kameňa alebo používať menej tvrdú vodu.

- 2 Ak stojíte v blízkosti zvlhčovača, môžete počuť bublanie vody, ale to je normálne.
- 3 Zariadenie funguje veľmi ticho, ale nie úplne tiché. Hladina hluku menšia ako 35 dB sa považuje za normálnu.

RADY Z OBLASTI LIKVIDÁCIE ODPADU

Obal pozostáva výlučne z materiálov bezpečných z hľadiska ochrany životného prostredia, ktoré sa môžu skladovať v triediacom stredisku vašej obce pre opätovné použitie ako sekundárne materiály. Kartón možno vyhodiť do príslušných kontajnerov na zber papiera. Ochranné baliace fólie treba previesť do triediaceho a recyklačného strediska vašej obce.

Po skončení používania prístroj zlikvidujte v súlade s princípmi ochrany životného prostredia a v súlade s právnymi predpismi.

OBMEDZENÁ ZÁRUKA

Spoločnosť LANAFORM sa zaručuje, že tento výrobok je bez akýchkoľvek chyby materiálu či spracovania, a to od dátumu predaja po dobu dvoch rokov, s výnimkou nižšie uvedených prípadov.

Záruka spoločnosti LANAFORM sa nevzťahuje na škody spôsobené bežným používaním tohto výrobku. Okrem iného sa záruka v rámci tohto výroku spoločnosti LANAFORM nevzťahuje na škody spôsobené chybným alebo nevhodným používaním či akýmkoľvek chybným užívaním, nehodou, pripojením nedovolených doplnkov, zmenou realizovanou na výrobku či iným zásahom akéhokoľvek povahy, na ktorý nemá spoločnosť LANAFORM vplyv.

Spoločnosť LANAFORM nebude zodpovedná za žiadny druh poškodenia príslušenstva (následný alebo špeciálny).

Všetky záruky týkajúce sa spôsobilosti výrobku sú obmedzené na obdobie dvoch rokov od prvej kúpy pod podmienkou, že pri reklamácii je treba predložiť doklad o kúpe tohto tovaru.

Po prijatí prístroja ho spoločnosť LANAFORM opraví alebo vymení v závislosti od prípadu a následne vám ho vráti. Záručný servis poskytuje iba servisné stredisko spoločnosti LANAFORM. V prípade, že akúkoľvek údržbu tohto prístroja zveríte inej osobe ako servisnému stredisku spoločnosti LANAFORM, táto záruka stráca platnosť.

SLOVENŠČINA

UVOD

Zahvaljujemo se vam za nakup vlažilnika zraka na hladno paro Dobra podjetja LANAFORM. Vlažilnik zraka Dobra pomaga pri vzpostavitvi primerne stopnje vlažnosti zraka in odpravljanju nevspečnosti zaradi suhega zraka. Prezračevalni sistem razpršuje vodo v obliki hladne pare in tako zagotavlja zeleno stopnjo vlažnosti.

Fotografije in druge predstavitve izdelka v tem priročniku ter na embalaži so kar najtočnejše, vendar lahko ne zagotavljajo popolne podobnosti z izdelkom.

▲ Pred uporabo vlažilnika zraka preberite vsa navodila, zlasti glavna varnostna opozorila.

Naprave ne smejo uporabljati osebe, vključno z otroki, z zmanjšanimi telesnimi, čutnimi ali duševnimi sposobnostmi ali osebe s pomanjkanjem izkušenj ali znanja, razen če jih pri uporabi naprave nadzira ali jim svetuje oseba, odgovorna za njihovo varnost. Pazite, da se otroci ne bodo igrali z napravo.

Napravo uporabljajte samo skladno z načinom uporabe, opisanim v teh navodilih..

Preverite, ali napetost električnega omrežja ustreza napetosti, označeni na napravi.

Vlažilnik zraka Dobra vedno postavite na trdno, ravno in vodoravno podlago. Poleg tega naj bo nekoliko odmaknjen od stene (najmanj 15 cm in virov toplote, kot so peči, radiatorji in podobno).

▲ Če naprave ne postavite na vodoravno podlago, morda ne bo delovala pravilno.

Električnega vtiča naprave ne smete vtakniti in iztakniti z mokrimi rokami..

Če je napajalni kabel poškodovan, ga je treba zamenjati s podobnim kablom, ki je na voljo pri dobavitelju ali njegovi servisni službi.

Naprave ne izpostavljajte neposredni sončni svetlobi.

Zbiralnik napolnite z destilirano ali demineralizirano čisto in svežo vodo.

Ne razstavljajte naprave ali njenega podstavka.

Naprave ne smete vklopiti, dokler zbiralnika ne napolnite z vodo.

Naprave ne stresajte. V podstavek bi lahko vdrla voda in povzročila nepravilno delovanje.

Med delovanjem naprave se ne dotikajte vode in sestavnih delov naprave.

Če se med uporabo, opisano v teh navodilih, pojavi nenavaden vonj, napravo izklopite, izključite iz električnega omrežja in odnesite v pregled dobavitelju ali njegovi servisni službi.

V zbiralnik ne smete naliti vroče vode, to je vode s temperaturo, višjo od 40 °C.

Pred čiščenjem ali odstranjevanjem zbiralnika za vodo napravo izključite iz električnega omrežja.

Naprave ne čistite z vodo in je ne potaplajte vanjo. Preberite navodila za čiščenje, ki so opisana v nadaljevanju.

Pazite, da pretvornika ne opraskate s trdimi pripomočki. Vlažilnik zraka Dobra je treba redno čistiti. Preberite in upoštevajte navodila za čiščenje, ki so opisana v nadaljevanju.

Napravo, ki je padla v vodo, takoj izključite iz električnega omrežja in jo šele nato poberite.

Električna naprava ne sme biti nikoli brez nadzora priključena v električno omrežje. Kadar naprave ne uporabljate, jo izključite.

Električni kabel ne sme biti v bližini virov toplote.

Naprave nikoli ne uporabljajte v prostorih, kjer se uporabljajo razpršila ali se zaradi zdravstvenih razlogov uporablja kisik.

Vlažilnik uporabljajte le taktat, ko je napolnjen z vodo.

Na napravo ne polagajte oblačil ali brisač. Če je soba za razprševanje pare prekrita, lahko to povzroči nepravilno delovanje naprave.

Sobe za razprševanje pare nikoli ne obračajte proti električnim napravam, knjigam ali lesenim predmetom, saj lahko to povzroči nastanek plesni.

Pri prenašanju napravo držite za podstavek in ne za zbiralnik za vodo.

Vlažilnika zraka ne uporabljajte, če je zrak v prostoru že dovolj vlažen (najmanj 50-odstotna relativna vlažnost zraka). Primerna relativna vlažnost zraka za udobno bivanje je namreč med 45 in 55 %. Zaradi čezmerne vlažnosti se v prostoru na mrzlih površinah ali mrzlih stenah pojavi kondenz. Za pravilno določitev stopnje vlažnosti zraka v prostoru uporabite higrometer, ki ga lahko kupite v večini specializiranih trgovin in supermarketih.

Vlažilnik zraka Dobra je namenjen le za notranjo domačo uporabo.

Uporabljajte le pripomočke, priložene napravi. Garancija ne krije uporabe drugih neodobrenih pripomočkov.

Vedno uporabljajte samo kakovostna eterična olja, ki so čista in 100-odstotno naravna ter namenjena za razprševanje. Za to napravo vam močno priporočamo uporabo eteričnih olj LANAFORM. Preberite navodila za uporabo eteričnih olj, ki so opisana v nadaljevanju.

SESTAVNI DELI NAPRAVE [A 1]

- 1 Pokrov zbiralnika
- 2 Razpršilna šoba
- 3 Cev za odvod pare
- 4 Obroč za cev za odvod pare
- 5 Pokrov za cev za odvod pare
- 6 Najvišja raven vode
- 7 Zbiralnik za vodo
- 8 Podstavek
- 9 Odprtina za odvod vode
- 10 Odprtina za odvod zraka
- 11 Pretvornik
- 12 Plavač
- 13 Silikonski nosilci
- 14 Dotok zraka
- 15 LED-lučke
- 16 Gumb na dotik: vklop/izklop; intenzivnost razprševanja; »nočni« način
- 17 Ambientalna svetloba

NAVODILA ZA UPORABO

Navodila pred prvo uporabo

Vlažilnik vzemite iz originalne embalaže in se prepričajte, da na njem ni napak. Če ugotovite napako, vlažilnik odnesite k dobavitelju ali njegovi servisni službi.

Vlažilnik zraka Dobra postavite v prostor pol ure pred vklopom, da se prilagodi sobni temperaturi.

Temperatura v prostoru mora vedno biti med 5 in 30 °C, temperatura vode v notranjosti naprave pa 40 °C.

Način uporabe [A 2]

- Odstranite pokrov zbiralnika za vodo [A].
- Nato v zbiralnik natočite destilirano ali demineralizirano čisto in svežo vodo.

▲

Pazite, da pri polnjenju zbiralnika ne točite vode po cevi za odvod zraka [B].

Prav tako pazite, da raven vode ne presega črte na notranji strani zbiralnika za vodo [C].

- Pokrov zbiralnika znova namestite na zbiralnik.
- Preden priključite ali izključite napravo iz električnega omrežja, morate imeti roke popolnoma suhe.
- Ko je vlažilnik pod napetostjo, enkrat pritisnite na kontrolni gumb na dotik [D 1 16].
- Vlažilnik zdaj deluje.

▲

Za optimalno razprševanje pare ima vlažilnik na notranji strani cevi za odvod pare nameščen obroč [E 1 4]. Pazite, da sta obroč in pokrov cevi za odvod pare [E 1 5] pravilno nameščena. [E 3]

Nastavitev moči pare

Zaporedno pritisčajte kontrolni gumb [1] [2] [3] na dotik, da nastavite pršenje hladne pare:

- 1. pritisek: izbrana je največja moč (okoli 150 ml/h). Prižge se LED-lučka [1] [2] [3] pod simbolom »H«.
- 2. pritisek: izbrana je najmanjša moč (okoli 120 ml/h). Prižge se LED-lučka [1] [2] [3] pod simbolom »L«.
- 3. pritisek: vlažilnik zraka deluje v »nočnem« načinu. Funkcija bele ambientalne svetlobe je tako izklopljena, kontrolna lučka [1] [2] [3] »« pa se izklopi po 3 sekundah.

Ko v zbiralniku ni več vode, se vlažilnik ustavi, kontrolna lučka pa se za 5 sekund obarva rdeče. Ustavite ga lahko tudi tako, da kadar koli četrti pritisnete na kontrolni gumb na dotik.

Nastavitev svetlobe

Ko je naprava vklopljena, je nastavljena tako, da ne oddaja ambientalne svetlobe.

- Prvič pritisnete gumb za izbiro svetlobnega načina [1] [2] [3]: topla bela svetloba se vklopi.
- Zaporedoma pritisnete gumb za izbiro svetlobnega načina [1] [2] [3] in tako spremenite temperaturo bele svetlobe od nevtralne in nato do hladne.
- Pritisnete četrtič: lučka se izklopi.

Pomembno

- Uporabljajte izključno destilirano ali demineralizirano čisto in svežo vodo, da preprečite morebitne okvare.
- Ne točite vode v cev za odvod zraka [1] [2] [3], da preprečite morebitne okvare in nevarnost požara.
- Pazite, da pokrov zbiralnika [1] [2] [3] tesno zaprete.
- Zbiralnik za vodo mora biti vedno čist. Če je šoba za razprševanje pare umazana, jo očistite s krtačko ali vlažno krpo.

▲ Pozor: kljub varnostnemu sistemu, ki prekine delovanje pretvornika, napravo izključite iz električnega omrežja, kadar je ne uporabljate.

▲ Dodatne informacije o uporabi eteričnih olj

Pred uporabo eteričnih olj se seznanite z neugodnimi učinki na zdravje, ki jih lahko povzročijo uporaba teh izdelkov.

Vedno uporabljajte samo kakovostna eterična olja: čista in 100-odstotno naravna ter namenjena za razprševanje. Uporabljajte jih zmerno in previdno. Upoštevajte navodila in opozorila na embalaži eteričnih olj, pri čemer bodite še zlasti pozorni na naslednje:

- Eteričnih olj ne smejo uporabljati nosečnice, epileptiki, astmatiki, osebe z alergijami, srčni bolniki in hudo bolne osebe.

- V otroških sobah (otrok, mlajših od 3 let) je eterična olja dovoljeno uporabljati največ 10 minut in pod pogojem, da otroka takrat ni v prostoru.
- Preprečite, da bi se z napravo igrali ali jo uporabljali otroci in mladoletne osebe.
- Že nekaj kapljic (največ 3 do 4 kapljice) eteričnega olja zadostuje za pravilno delovanje naprave in razpršitev prijetnega vonja. Pretirane količine eteričnih olj lahko poškodujejo napravo.
- Najprej vlijte vodo v zbiralnik in nato dodajte nekaj kapljic eteričnega olja.
- Podjetje Lanaform ne odgovarja za slučajno škodo, ki je posledica uporabe, ki ni skladna z načinom uporabe, opisanim v teh navodilih.

VZDRŽEVANJE IN SHRANJEVANJE

Pred vzdrževanjem ali shranjevanjem vlažilnik vedno izključite iz napetosti.

Če voda vsebuje prevelike količine kalcija in/ali magnezija, se lahko v napravi začne nabirati »beli prah«. Če se usedline naberejo na pretvorniku [1] [2] [3], vlažilnik zraka Dobra ne deluje pravilno.

Vzdrževanje

Priporočamo, da

- vedno uporabljate samo čisto in svežo destilirano, demineralizirano ali ohlajeno prevreto vodo;
- zbiralnik za vodo očistite vsak drugi dan, pretvornik pa vsak teden;
- očistite napravo (glejte navodila v nadaljevanju) in preverite, ali so vsi sestavni deli popolnoma suhi, če naprave ne boste uporabljali.

Čiščenje zbiralnika za vodo [1] [2] [3]

- Podstavek očistite z vodo in mehko krpo oziroma s kisom, če so v notranjosti podstavka apnenčaste usedline ali obloge.
- Podstavek izperite s čisto vodo.

Čiščenje pretvornika [1] [2] [3]

- Na površino pretvornika kapnite od 2 do 5 kapljic kisa in počakajte od 2 do 5 minut.
- Z mehko krtačko odstranite usedline na pretvorniku. Ne uporabljajte pripomočkov, ki bi lahko opraskali površino.
- Nato zbiralnik izperite s čisto vodo.

▲ Za čiščenje pretvornika ne uporabljajte mila, topil ali razpršilnih čistilnih sredstev.

Čiščenje cevi za odvod pare [1] [2] [3]

- Odstranite pokrov zbiralnika za vodo [1] [2] [3].
- Pokrov zbiralnika [1] [2] [3] snamete tako, da ga zavrtnite v nasprotni smeri urnega kazalca.
- Odstranite pokrov za cev za odvod pare in tudi obroček. [1] [2] [3] [4] [5]
- Napravo očistite s krtačko ali vlažno krpo oziroma s kisom, če so v notranjosti apnenčaste usedline ali obloge.
- Obroč in cev za odvod pare ponovno namestite tako, kot prikazuje slika [1] [3].
- Pokrov zbiralnika za vodo zaprite z vrtenjem v nasprotni smeri urnega kazalca. Pri tem pazite, da je pravilno vstavljen v utore na cevi za odvod pare.

Čiščenje razpršilne šobe [1] [2] [3]

- Šobo očistite s krtačko ali vlažno krpo.
- Izperite jo s čisto vodo.

Shranjevanje

Če naprave dalj časa ne nameravate uporabljati, očiščen in osušen vlažilnik zraka shranite na hladnem in suhem prostoru, zaščitenem pred svetlobo.

OKVARE IN REŠITVE

Če naprava med običajno uporabo deluje nepravilno, si oglejte spodnji seznam:

☉ **Ni pare, kontrolna lučka ne sveti.**

- ☉ Ni napetosti, ni toka.
- ☉ Preverite, ali je naprava priključena oziroma ali je prišlo do okvare na električnem omrežju.

☉ **Rdeča lučka utripne petkrat, ni pare.**

- ☉ V zbiralniku ni vode.
- ☉ Zbiralnik napolnite z destilirano ali demineralizirano čisto in svežo vodo.

☉ **Para je neprijetnega vonja.**

- ☉ Naprava je nova.
- ☉ Odlijte vodo iz zbiralnika in pustite, da se zrači najmanj 12 ur.

- ☉ Voda je onesažena ali že predelgo časa stoji v zbiralniku.
- ☉ Napravo izklopite iz omrežja, odlijte vodo iz zbiralnika, ga izperite in očistite ter napolnite z demineralizirano ali destilirano vodo.

☉ **Nizka jakost razprševanja pare.**

- ☉ Šoba za razprševanje pare je prekrita.
- ☉ Napravo izklopite iz omrežja in očistite šobo za razprševanje pare.
- ☉ Voda je umazana ali že predelgo časa stoji v zbiralniku.
- ☉ Očistite zbiralnik ter ga napolnite s čisto in svežo vodo.

🔧 **Naprava med delovanjem oddaja nenavaden hrup.**

- 🔍 Naprava stoji na nestabilni ali neravni površini.
- 🔍 Napravo postavite na ravno in trdno površino.

▲ **Naslednji pojavi niso napake:**

- 1 Če je voda posebej trda (vsebuje veliko mineralov), lahko v vlažilniku nastaja neke vrste bel prah. To ni napaka. Filter za vodni kamen pogosteje očistite ali uporabljajte manj trdo vodo.
- 2 Če ste blizu vlažilnika, slišite klotanje vode, kar je normalno.
- 3 Naprava deluje zelo mirno, vendar ne popolnoma tiho. Raven hrupa pod 35 dB je normalna.



PRIPADAJOČI NASVETI ZA ODSTRANJEVANJE ODPADKOV

Embalaža je v celoti sestavljena iz materialov, ki niso nevarni okolju in ki jih lahko odlagate kot sekundarne materiale v vašem komunalnem centru za sortiranje. Karton lahko odložite v zbiralni zabojnik za papir. Ovojne folije je treba odlagati v vašem komunalnem centru za sortiranje in recikliranje.

Ko ne boste več uporabljali aparata, ga odstranite na okolju ustrezen način in v skladu z zakonskimi predpisi.

OMEJENA GARANCIJA

LANAFORM jamči, da ta izdelek nima nobene napake v materialu in izdelavi, in sicer od datuma nakupa dalje za obdobje dveh let, z izjemo spodaj navedenih primerov.

Garancija LANAFORM ne krije škode, ki bi nastala zaradi normalne obrabe tega izdelka. Poleg tega garancija za ta LANAFORM-ov izdelek ne krije škode, ki je posledica kakršnekoli zlonamerne ali nepravilne uporabe, nezgode, namestitve neodobrene dodatne opreme, modifikacije izdelka ali kakršnekoli druge situacije, na katero LANAFORM ne more vplivati.

LANAFORM ne bo odgovarjal za kakršnokoli vrsto naključne, posledične ali posebne škode.

Vse implicitne garancije za ustreznost izdelka so omejene na obdobje dveh let od datuma prvega nakupa, v kolikor je mogoče predložiti kopijo dokazila o nakupu.

Po sprejemu bo LANAFORM popravil ali zamenjal vaš aparat, odvisno od primera, in vam ga poslal nazaj. Garancija se izpolni samo preko servisnega centra LANAFORM. V primeru, da je kakršnokoli vzdrževanje tega izdelka izvajala katerakoli druga oseba, ne pa servisni center LANAFORM, se ta garancija izniči.

HRVATSKI

UVOD

Hvala vam na kupnji ovlaživača hladnom parom Dobra tvrtke LANAFORM. Ovlaživač Dobra pomaže vam da ponovno uspostavite odgovarajuću razinu vlažnosti i uklonite nelagodu povezanu sa suhim zrakom. Ventilacijski sustav raspršuje vodu u obliku hladne pare i na taj način osigurava željenu razinu vlažnosti.

📷 Namjera nam je da fotografije i drugi prikazi proizvoda u ovom korisničkom priručniku i na pakiranju budu što je moguće vjerniji ma da oni ne mogu osigurati savršenu sličnost s proizvodom.

▲ **Molimo, pročitate sve upute prije uporabe ovlaživača, posebice ovih nekoliko osnovnih sigurnosnih uputa.**

Ovaj uređaj nije namijenjen osobama, uključujući djecu, sa smanjenim tjelesnim, osjetilnim ili psihičkim sposobnostima, kao ni osobama bez prethodnog iskustva ili znanja, osim uz pomoć osoba odgovornih za njihovu sigurnost, uz njihov nadzor ili prethodne upute za korištenje uređaja. Preporuča se nadzor djece kako bi se spriječila njihova igra uređajem.

Uređaj upotrebljavajte isključivo na način opisan u ovom priručniku.

Provjerite odgovara li napon vaše mreže uređaju.

Ovlaživač Dobra uvijek postavljajte na tvrdu, ravnu i vodoravnu površinu. Držite ga na blagoj udaljenosti od stijenki (najmanje 15 cm i izvora topline kao što su peći, radijatori itd.

▲ **Moguće je da uređaj neće raditi ispravno ako ne stoji na vodoravnoj površini.**

Utikač uređaja nemojte ni spajati ni odspajati mokrim rukama.

Ako je kabel za napajanje oštećen, mora ga se zamijeniti sličnim kabelom dostupnim od dobavljača ili njegove postprodajne službe.

Nemojte ostavljati uređaj na izravnoj sunčevoj svjetlosti.

Punite spremnik samo čistom, svježom, destiliranom ili demineraliziranom vodom.

Nemojte rastavljati ni uređaj u cijelosti niti čak njegovo podnožje.

Nemojte ukopčavati uređaj kada nema vode u spremniku.

Nemojte tresti uređaj. Tako se voda može proliti u podnožje i ugroziti njegov rad.

Nikada nemojte dodirivati vodu i sastavne dijelove kada uređaj radi.

Ako se tijekom uporabe opisane u ovom priručniku javi neprijatan miris, isključite uređaj, odspojite ga i odnesite na pregled dobavljaču ili njegovoj postprodajnoj službi.

Nemojte u spremnik ulijevati vruću vodu, odnosno vodu na temperaturi višoj od 40 °C.

Isključite uređaj prije čišćenja ili uklanjanja spremnika.

Nemojte cijeli uređaj prati niti ga uranjati u vodu; pogledajte upute za čišćenje u ovom priručniku.

Nikada nemojte strugati pretvarač tvrdom alatkom. Ovlaživač Dobra potrebno je redovito

očistiti. U tu svrhu proučite i slijedite upute za čišćenje u ovom priručniku.

Uređaj koji je pao u vodu odmah iskopčajte prije vađenja.

Električni uređaj nikad ne smije ostati uključen bez nadzora. Isključite ga nakon korištenja.

Držite električni kabel podalje od toplih površina.

Nikada nemojte koristiti uređaj u prostoriji gdje se koristi aerosol (sprej) ili gdje se primjenjuje kisik.

Ovlaživač zraka koristite samo kada je napunjen vodom.

Nemojte stavljati odjeću ili ručnike na vrh uređaja. Zapriječena mlaznica za emisiju pare može uzrokovati kvar uređaja.

Nikada nemojte usmjeravati mlaznicu za emisiju pare prema električnim uređajima, knjigama ili drvenim predmetima na kojima se zbog toga može pojaviti pljesan.

Prilikom pomicanja uređaja podignite podnožje a ne spremnik za vodu.

Nemojte koristiti ovlaživač ako je zrak u prostoriji već dovoljno vlažan (bar 50 % relativne vlažnosti). Zapravo, idealna relativna vlažnost za udobnost ljudskih bića je između 45 % i 55 %. Višak vlage očituje se kondenzacijom na hladnim površinama ili na stijenkama u hladnoj prostoriji. Kako biste pravilno odredili razinu vlažnosti u prostoriji, koristite vlagomjer (higrometar) dostupan u većini specijaliziranih trgovina i supermarketa.

Ovlaživač Dobra dizajniran je isključivo za unutarnju i kućnu uporabu.

Koristite samo pribor isporučen s ovim uređajem. Uporaba zabranjenih dodataka neće biti pokrivena jamstvom.

Za raspršivanje uvijek izaberite kvalitetna eterična ulja, čista i 100 % prirodna. Za ovaj uređaj preporučamo korištenje eteričnih ulja LANAFORM. U tom smislu pogledajte upute za korištenje eteričnih ulja u ovom priručniku.

SASTAVNI DIJELOVI UREĐAJA [1]

- 1 Poklopac spremnika
- 2 Mlaznica raspršivača
- 3 Izlazna cijev za paru
- 4 Prsten izlazne cijevi za paru
- 5 Poklopac izlazne cijevi za paru
- 6 Maksimalna razina vode
- 7 Spremnik
- 8 Podnožje
- 9 Izlaz za vodu
- 10 Izlaz za zrak
- 11 Pretvarač
- 12 Plovak
- 13 Silikonska podloga
- 14 Ulaz za zrak
- 15 LED pokazatelji
- 16 Upravljački gumb (osjetnik) osjetljiv na dodir: ON/OFF; Jačina emisije; Način rada: „Noćni“
- 17 Ambijentalno svjetlo

UPUTE ZA UPORABU

Upute prije prve uporabe

Uklonite ovlaživač zraka iz originalnog pakiranja i provjerite da nema kvar. Ako postoji kvar, odnesite ovlaživač zraka dobavljaču ili njegovoj postprodajnoj službi.

Postavite ovlaživač Dobra u prostoriju pola sata prije uključivanja kako bi se mogao prilagoditi sobnoj temperaturi.

Sobna temperatura mora uvijek biti između 5 °C i 30 °C, a temperatura vode ispod 40 °C.

Način uporabe [2]

- Skinite poklopac spremnika [7].
- Zatim napunite spremnik čistom, svježom, destiliranom ili demineraliziranom vodom.



Pazite da spremnik ne napunite vodom kroz cijev za ispuštanje zraka [3].

Također pazite da ne prijeđete granicu maksimalne razine vode označenu na unutarnjoj stjenki spremnika [6].

- Vratite poklopac spremnika.
- Prije spajanja ili odspajanja uređaja provjerite jesu li vam ruke potpuno suhe.


- Kada uključite ovlaživač zraka, jednom pritisnite upravljački gumb (osjetnik) osjetljiv na dodir [16].
- Sada ovlaživač radi.



Kako bi se osiguralo optimalno raspršivanje pare, ovlaživač je opremljen prstenom unutar cijevi za ispuštanje pare [4]. Provjerite jesu li prsten i poklopac za zatvaranje cijevi za ispuštanje pare [5] pravilno postavljene [1].

Podešavanje jačine pare

Uzastopno pritisnite upravljački gumb [16] (osjetnik) koji je osjetljiv na dodir za podešavanje emisije hladne pare:

- pritisak: izabrana je maksimalna jačina (oko 150 ml/h). Na LED pokazatelju [15] svijetli simbol „H“.
- pritisak: izabrana je minimalna jačina (oko 120 ml/h). Na LED pokazatelju [15] svijetli simbol „L“.
- pritisak: ovlaživač zraka radi u noćnom načinu rada. Funkcija bijelog ambijentalnog osvjetljenja se prekida i svjetlosni se pokazivač [15] „“ isključuje nakon 3 sekunde.

Kada u spremniku nema više vode, ovlaživač zraka prekida rad i prikazuje se pokazatelj crvene boje u trajanju od 5 sekunda. Možete prekinuti rad pokazivača u bilo kojem trenutku pritiskom na upravljački gumb (osjetnik) koji je osjetljiv na dodir po četvrti put.

Podešavanje svjetla

Kada je uređaj osvijetljen, po zadanim postavkama ne proizvodi ambijentalno svjetlo.

- Pritisnite gumb za izbor svjetlosnog načina rada [17] prvi put: pokreće se bijelo svjetlo tople nijanse.
- Uzastopno pritisnite gumb svjetlosnog načina rada [17] za promjenu temperature bijelog svjetla u neutralno, a potom u hladno bijelo svjetlo.
- Pritisnite četvrti put: svjetlo se gasi.

Važne napomene

- Kako biste spriječili kvarove, koristite samo čistu, svježju, destiliranu ili demineraliziranu vodu.
- Radi izbjegavanja kvarova i opasnosti od požara nemojte ulijevati vodu u cijev za ispuštanje zraka [3].
- Provjerite jeste li čvrsto zatvorili poklopac spremnika [1].
- Spremnik se mora održavati u čistom stanju. Ako na mlaznici raspršivača ima nečistoće, očistite ju četkom ili vlažnom krpom.



Pozor: iako sigurnosni sustav prekida rad pretvarača, izbjegavajte ostavljati uređaj pod naponom kada nije u uporabi.

▲ Dodatni podaci vezani uz korištenje eteričnih ulja

Prije uporabe eteričnih ulja raspajate se o negativnim učincima koje uporaba takvih proizvoda može imati na zdravlje.

Za raspršivanje uvijek izaberite kvalitetna eterična ulja: čista i 100 % prirodna. Koristite ih umjereno i oprezno. Slijedite upute i upozorenja navedene na pakiranju eteričnih ulja, uključujući i sljedeće:

- Uporaba eteričnih ulja zabranjena je trudnicama, osobama koje pate od epilepsije, astme ili alergija te osobama sa srčanim tegobama ili teškim bolestima.
- U sobi za malu djecu (mlađu od 3 godine), eterična ulja smiju se koristiti u trajanju od najviše 10 minuta, i to samo kada dijete nije u sobi.
- Pobrinite se da se djeca i maloljetnici ne igraju uređajem i da ga ne koriste.
- Samo nekoliko kapi (najviše 3 – 4 kapi) eteričnih ulja dovoljno je da se osigura pravilan rad uređaja i širenje mirisa. Pretjerana količina eteričnih ulja može oštetiti uređaj.
- Najprije ulijte vodu u spremnik prije dodavanja kapi eteričnih ulja.
- Tvrtka Lanaform ne može se smatrati odgovornom za slučajnu štetu nastalu zbog uporabe koja nije u skladu s uporabom navedenom u ovom priručniku.

ODRŽAVANJE I ODLAGANJE

Uvijek odspojite ovlaživač zraka prije održavanja i odlaganja.

Ako voda sadrži previše kalcija i/ili previše magnezija, može ostaviti naslage „bijelog praha“ u uređaju. Ako ovakva naslaga ostane na pretvaraču [11], spriječava ispravan rad ovlaživača Dobra.

Održavanje

Preporučamo vam da

- 1 Za svaku uporabu koristite čistu, svježju, destiliranu, demineraliziranu ili prokuhanu a potom rashlađenu vodu.
- 2 Očistite spremnik svaka 2 dana, a pretvarač svaki tjedan.
- 3 Očistite uređaj (pogledajte objašnjenje u nastavku) i uvjerite

se da su svi dijelovi potpuno suhi kada uređaj nije u uporabi.

Čišćenje spremnika [1 7]

- 1 Spremnik za vodu očistite mekanom krpom te sa malo octa ako unutra postoji pjena ili naslage kalcija.
- 2 Isperite spremnik čistom vodom.

Čišćenje pretvarača [1 11]

- 1 Stavite 2 do 5 kapi octa na površinu i ostavite 2 do 5 minuta.
- 2 Očistite naslage s površine pomoću mekane četke. Nemojte strugati površinu tvrdom alatkom.
- 3 Zatim isperite spremnik čistom vodom.

▲ Nemojte koristiti sapun, otapala ili raspršivače za čišćenje pretvarača.

Čišćenje cijevi za ispuštanje pare [1 3]

- 1 Skinite poklopac spremnika uređaja [1 11].
- 2 Okrenite poklopac spremnika [1 11] suprotno od smjera kazaljke na satu.
- 3 Skinite poklopac cijevi za ispuštanje pare i prsten. [1 4 5]
- 4 Očistite četkom ili vlažnom krpom te s malo octa ako se unutra nataložila pjena ili naslage kalcija.
- 5 Vratite prsten i poklopac cijevi za ispuštanje pare kako je naznačeno na slici [3].
- 6 Zatvorite poklopac spremnika okrećući ga u smjeru suprotne kretanju kazaljke na satu pazeci na to da su utori pravilno umetnuti u uture na cijevi za ispuštanje pare.

Čišćenje mlaznice za raspršivanje na uređaju [1 2]

- 1 Očistite ju četkom ili vlažnom krpom.
- 2 Isperite mlaznicu za emisiju pare čistom vodom.

Odlaganje

Ako ne namjeravate upotrebljavati uređaj dulje vrijeme, očišćen i osušen ovlaživač po-

hranite na hladno i suho mjesto zaštićeno od svjetlosti.

RJEŠAVANJE PROBLEMA

U slučaju kvarova pod normalnim uvjetima korištenja pogledajte sljedeći popis:

⊗ Nema svjetlosnog pokazatelja, nema pare.

- ⊗ Nema napona, nema napajanja električnom energijom.
- ⊗ Provjerite je li uređaj spojen te da nije došlo kvara u mreži.

⊗ Svjetlosni pokazatelj je crven i treperi 5 puta, nema pare.

- ⊗ Nema vode u spremniku.
- ⊗ Napunite spremnik čistom, svježom, destiliranom ili demineraliziranom vodom.

⊗ Neugodan miris pare.

- ⊗ Uređaj je nov.
- ⊗ Ispraznite spremnik za vodu i pustite da se osuši najmanje 12 h.

- ⊗ Voda je zagađena ili je predugo bila u spremniku.
- ⊗ Odspojite uređaj, ispraznite spremnik za vodu, isperite i očistite spremnik i napunite ga demineraliziranom ili destiliranom vodom.

⊗ Slaba jačina emisije pare.

- ⊗ Mlaznica za emisiju pare je začepljena.
- ⊗ Odspojite uređaj i očistite mlaznicu za emisiju pare.

- ⊗ Voda je prljava ili je predugo u spremniku.

- ⊗ Očistite spremnik i napunite ga čistom i svježom vodom.

⊗ Nenormalna emisija buke tijekom rada.

- ⊗ Uređaj je postavljen na nestabilnu ili neravnu površinu.
- ⊗ Odspojite uređaj i postavite ga na ravnu i stabilnu površinu.

▲ Sljedeći učinci ne smatraju se kvarovima:

- 1 Ako je vaša voda izuzetno tvrda (sadrži mnogo minerala), ovlaživač može proizvesti neku vrstu bijelog praha.

To ne predstavlja kvar. Rješenje je češće čišćenje filtra protiv kamenca ili korištenje mekše vode.

- 2 Ako stojite blizu ovlaživača zraka, čut ćete žuborenje vode, što je normalno.
- 3 Uređaj je vrlo tih ali ne bešuman. Razina buke manja od 35 dB smatra se normalnom.

SAVJETI O UKLANJANJU OTPADA

Ambalaža se u potpunosti sastoji od materijala koji nisu opasni po okoliš i mogu se predati u sabirni centar u Vašoj općini kako bi se upotrijebili kao sekundarni materijali. Karton se može baciti u kontejner za skupljanje papira. Ambalažnu foliju potrebno je predati sabirnom i reciklažnom centru u Vašoj općini.

Kada više nećete upotrebljavati aparat, zbrinite ga neškodljivo po okoliš i u skladu sa zakonskim odredbama.

OGRANIČENO JAMSTVO

LANAFORM jamči da ovaj proizvod nema nikakve greške u materijalu ni proizvodne greške za razdoblje od dvije godine od datuma kupnje proizvoda, osim u niže navedenim slučajevima.

Jamstvo tvrtke LANAFORM ne pokriva štete nastale uslijed normalnog habanja ovog proizvoda. Osim toga, ovo jamstvo na ovaj proizvod tvrtke LANAFORM ne pokriva štete nastale uslijed pretjeranog ili nepravilnog korištenja, nesreće, nadogradnje nedopuštenih nastavaka, neovlaštene modifikacije proizvoda ili u bilo kojim situacijama neovisnim od volje LANAFORM.

Tvrtka LANAFORM ne može se smatrati odgovornom za bilo kakvo posljedično ili posebno oštećivanje nastavaka.

Sva jamstva koja se odnose na sposobnost proizvoda ograničena su na razdoblje od dvije godine od početnog datuma kupnje samo uz predočenje kopije dokaza o kupnji.

Po prijemu, tvrtka LANAFORM će, ovisno o Vašem slučaju, popraviti ili zamijeniti uređaj i vratiti ga. Jamstvo se ostvaruje putem servisnog centra tvrtke LANAFORM. Bilo kakva radnja održavanja ovog proizvoda povjerenja nekoj drugoj osobi osim Servisnom centru tvrtke LANAFORM poništava ovo jamstvo.

БЪЛГАРСКИ

ВЪВЕДЕНИЕ

Благодарим ви, че купихте овлажнител за работа със студена пара Dobra на LANAFORM. Овлажнител Dobra ви позволява да възстановите подходящия процент на влажност и да елиминирате неудобствата, свързани със сухия въздух. Вентилационната система разпръсква вода

под формата на студена пара и по този начин осигурява желаното ниво на влажност.

⊗ Фотографиите и другите представяния на продукта в това ръководство и върху опаковката показват продукта възможно най-точно, но не може да се гарантира перфектна еднаквост с продукта.

▲ Преди да използвате овлажнител, прочетете всички инструкции, особено тези няколко основни препоръки за безопасност.

Това изделие не е предназначено за употреба от лица, включително и деца, които имат намалени физически, сензорни или

умствени способности, или от лица, които нямат опит или познания, освен ако те не използват изделието с помощта на друго лице, което е отговорно за тяхната безопасност, контролира ги или инструктира предварително за използването на изделието. Не трябва да се позволява на деца да си играят с изделието.

Не използвайте уреда по друг начин, освен по описания в това ръководство.

Уверете се, че напрежението на електрическата мрежа съответства на изискванията за уреда.

Винаги поставяйте овлажнителя Dobra върху твърда, гладка и хоризонтална повърхност. Отдалечете го леко от стени и източници на топлина (поне 15 mm), като например печки, радиатори и др.

▲ Ако не се постави върху хоризонтална повърхност, възможно е уредът да не може да работи правилно.

Не включвайте или изключвайте щепсела на уреда с мокри ръце.

Ако захранващият кабел е повреден, той трябва да бъде заменен с подобен кабел, който се предлага от продавача или от неговия сервиз за следпродажбена поддръжка.

Не оставяйте уреда изложен на пряка слънчева светлина.

Пълнетата резервоара с чиста прясна, дестилирана или деминерализирана вода.

Не разглобявайте уреда като цяло, нито дори неговата основа.

Не включвайте уреда, когато няма вода в резервоара.

Не клатете уреда. Това би могло да доведе до разливане на вода от основата и да повлияе негативно на неговата работа.

Никога не докосвайте водата и компонентите, когато уредът работи.

Ако мирише необичайно по време на употреба съгласно описанието в това ръководство, изключете уреда, извадете захранващия кабел и занесете уреда за проверка при продавача или в неговия сервиз за следпродажбена поддръжка.

Не наливайте гореща вода в резервоара, т.е. вода с температура над 40°C.

Изключете уреда преди почистване или сваляне на резервоара.

Не мийте цялото изделие с вода и не го потапяйте. Вижте инструкциите за почистване в това ръководство.

Никога не стържете преобразувателя с твърд инструмент. Овлажнителят Dobra трябва редовно да се почиства. За да правите това правилно, вижте инструкциите

за почистване в това ръководство и ги следвайте.

Незабавно изключете уреда от електрическата мрежа, ако падне във вода – още преди да го извадите от водата.

Един електрически уред никога не трябва да бъде оставян без надзор, когато е включен. Изключете го, когато не го използвате.

Отдалечавайте захранващия кабел от горещи повърхности.

Никога не използвайте този уред в стая, където се използват аерозолни продукти (спрейове) или където се подава допълнителен кислород.

Използвайте овлажнителя само когато е пълен с вода.

Не поставяйте дрехи или кърпи върху горната част на уреда. Ако дюзата за изпускане на парата е запушена, това може да предизвика неизправност на уреда.

Никога не насочвайте дюзата за изпускане на пара към електрически апарати, книги или дървени предмети, защото това може да повиши риска от появата на мухъл.

Когато премествате уреда, хващайте го и го повдигайте за основата, а не за резервоара за вода.

Не използвайте овлажнителя, ако въздухът в помещението е достатъчно влажен (поне 50% относителна влажност). Всъщност, идеалната относителна влажност за комфортно усещане при хората е между 45% и 55%. Прекомерната влажност се проявява чрез кондензация върху студени повърхности или стени на студени стай. За да определите правилно влажността в помещението, използвайте хигрометър. Можете да си купите такъв в повечето специализирани магазини и супермаркети.

Овлажнителят Dobra е предназначен единствено за домашна употреба на закрито.

Използвайте само аксесоари, доставени с този уред. Използването на неопознати аксесоари може да анулира гаранцията.

Винаги избирайте качествени етерични масла - чисти и 100% натурални, предназначени за ароматизатори. За този уред горещо ви препоръчваме да използвате етерични масла LANAFORM. За да се запознаете по-подробно, вижте инструкциите за използване на етерични масла в това ръководство.

СЪСТАВНИ ЧАСТИ НА УРЕДА [1]

- 1 Капак на резервоара
- 2 Изпускателна дюза
- 3 Тръба за изпускане на пара
- 4 Пръстен на тръбата за изпускане на пара

- 5 Капак на тръбата за изпускане на пара
- 6 Максимално ниво на водата
- 7 Резервоар
- 8 Основа
- 9 Изход за вода
- 10 Изход за въздух
- 11 Ултразвуков преобразувател
- 12 Поплавък
- 13 Силиконови крачета
- 14 Вход за въздух
- 15 Светодиодни индикатори
- 16 Бутонно управление: Вкл/Изкл; интензитет на парата; нощен режим
- 17 Интериорна светлина

УКАЗАНИЯ ЗА ИЗПОЛЗВАНЕ

Инструкции преди първата употреба

Разпаковайте овлажнителя от неговата оригинална опаковка и се уверете, че той няма дефекти. Ако намерите дефект, занесете овлажнителя на доставчика или в службата за следпродажбена поддръжка.

Поставете овлажнителя Dobra в желаната стая половин час преди да го включите, за да се адаптира към стайната температура.

Температурата в стаята трябва винаги да бъде между 5°C и 30°C, а температурата на водата под 40°C.

Начин на употреба [2]

- Сваляте капака на резервоара [1 A].
- След това силете чиста и студена дестилирана или деминерализирана вода в резервоара.

▲

Внимавайте да не се опитвате да пълните резервоара, като силете вода в тръбата за изпускане на въздух [1 B].

Също така внимавайте да не преминете линията за максималното ниво на водата, отбелязана върху вътрешната стена на резервоара [1 C].

- Поставете отново капака на резервоара.
- Уверете се, че ръцете ви са сухи, когато включвате и изключвате уреда.
- След като включите овлажнителя, натиснете един път бутон от панела за управление [1 1 16].
- Сега вече овлажнителят е готов за работа.

▲

За да се осигури оптимално разпръскване на парата, овлажнителят има пръстен върху тръбата за изпускане на пара [1 1 4]. Уверете се, че той и капачето за затваряне на тръбата за изпускане на пара [1 1 5] са поставени правилно. [3]

Регулиране на интензитета на парата

Натискайте последователно бутон за управление, за да настроите изпускането на студена пара [A 1 16]:

- 1-во натискане: избран е максималният интензитет на парата (около 150мл/ч). Светва светодиодният индикатор [A 1 15] под символа «H».
- 2-ро натискане: избран е минималният интензитет на парата (около 120мл/ч). Светва светодиодният индикатор [A 1 15] под символа «L».
- 3-то натискане: овлажнителят работи в нощен режим. След това функцията за бяла интериорна светлина се деактивира и светодиодният индикатор [A 1 15] « » угасва след 3 секунди.

Когато няма повече вода в резервоара, овлажнителят ще спре и светодиодиът ще свети в червено в продължение на 5 секунди. Можете също така да го спрете по всяко време, като натиснете за четвърти път бутон за управление.

Регулиране на светлината

Когато уредът е включен, по подразбиране той не излъчва никаква интериорна светлина.

- Натиснете бутон за избор на светлинен режим [A 1 17] веднъж: включва се бяла светлина с топъл отънък.
- След това натискайте последователно бутон за избор на светлинен режим [A 1 17], за да промените температурата на бялата светлина до неутрална и след това до студена бяла светлина.
- Натиснете за четвърти път: светлината угасва.

Важни забележки

- Използвайте само чиста прясна, дестилирана или деминерализирана вода, за да предотвратите повреда.
- Не наливайте вода в тръбата на изхода за въздух [A 1 3], за да избегнете всякакъв риск от пожар или повреда.
- Не забравяйте да затворите херметично капака на резервоара [A 1 1].
- Резервоарът трябва да се поддържа чист. Ако има замърсяване на дюзата за изпускане на парата, почистете я с четка или с влажна кърпа.

▲ Внимание! Въпреки наличието на предпазно устройство, което спира работата на преобразувателя, не оставяйте уреда включен в електрическата мрежа, когато не го използвате.

▲ Допълнителна информация, относеща се до използването на етерични масла

Преди да използвате етерични масла, осведомете се за отрицателните ефекти върху здравето, които могат да се породят от използването на такива продукти.

Винаги избирайте качествени етерични масла – чисти и 100% натурални, предназначени за ароматизатори. Използвайте ги умерено и с повишено внимание. Спазвайте указанията и предупрежденията, посочени в инструкциите за използване на етеричните масла, и обърнете внимание, че:

- Използването на етерични масла е забранено за бременни жени и за лица с епилепсия, или такива, които страдат от астма или алергия, за хора със сърдечни проблеми или със сериозни заболявания.
- Встая с бебе (под 3 години), използването на етерични масла не трябва да бъде повече от 10 минути и е разрешено само когато бебето не е в стаята.
- Следете децата и непълнолетните да не си играят с уреда и да не го използват.
- Само няколко капки (максимум 3-4) етерично масло са достатъчни, за да се гарантира правилното функциониране на уреда и разпръскването на аромата. Прекомерната употреба на етерични масла може да повреди уреда.
- Не забравяйте първо да сипете водата в резервоара преди добавяне на капките етерично масло.
- Компанията Lاناform не може да бъде държана отговорна за повреди, произтичащи от каквато и да е употреба, която противоречи на описаната в това ръководство.

ПОДДРЪЖКА И СЪХРАНЕНИЕ

Винаги изваждайте захранващия кабел на овлажнителя от електрическата мрежа, преди да го разглобявате или когато решите да го прибирате.

Ако водата съдържа твърде много калций и/или магнезий, тя може да отложи „бял прах“ в уреда. Ако тази пяна се отложи върху преобразувателя [A 1 11], тя може да затрудни правилната работа на овлажнителя Dobra.

Поддръжка

Ние препоръчваме

- 1 Използвайте чиста и студена дестилирана, деминерализирана или преварена вода при всяка употреба.
- 2 Почиствайте резервоара на всеки 2 дни, а преобразувателя всяка седмица.
- 3 Почиствайте уреда (вижте обяснението по-долу) и проверявайте дали всички части са напълно сухи само когато уредът не се използва.

За да почистите

резервоара [A 1 7]

- 1 Почистете резервоара за вода с помощта на мека кърпа и оцет, ако има пяна или варовикови отлагания отвътре.
- 2 Изплакнете водния резервоар с чиста вода.

За да почистите

преобразувателя [A 1 11]

- 1 Поставете от 2 до 5 капки оцет на повърхността му и ги оставете да престоят от 2 до 5 минути.
- 2 Изчистете пяната от повърхността с помощта на мека четка. Не използвайте твърди инструменти за изстъргване на повърхността.
- 3 Изплакнете след това резервоара с чиста вода.

▲ Не използвайте сапун, разтворител или почистващ препарат във вид на спрей, за да почистите преобразувателя.

За да почистите тръбата за

изпускане на пара [A 1 3]

- 1 Вдигнете капака на резервоара на уреда [A 1 1].
- 2 Завъртете капака на резервоара [A 1 1] в обратна на часовниковата стрелка посока.
- 3 Свалете капачката на тръбата за изпускане пара, както и пръстена. [A 1 4 & 5]
- 4 Почистете модула с помощта на четка или мека кърпа и оцет, ако има пяна или варовикови отлагания отвътре.
- 5 Поставете отново пръстена и капачката на тръбата за изпускане на пара, както е показано на фигура [A 3].
- 6 Затворете капака на резервоара, завъртайки го обратно на часовниковата стрелка, и се уверете, че прорезите влизат правилно в тези на тръбата за изпускане на пара.

За да почистите изпускателната

дюза на уреда [A 1 2]

- 1 Почистете я с четка или влажна кърпа.
- 2 Изплакнете дюзата за изпускане на парата с чиста вода.

Съхраняване

Ако не възнамерявате да използвате уреда за дълъг период от време, почистете го и го подсушете, след което го приберете на сухо и прохладно място, без достъп на светлина.

ОТСТРАНЯВАНЕ НА ПРОБЛЕМИ

В случай че уредът не ще да работи при нормални условия, направете справка в следния списък:

☞ Светодиодът, показващ че уредът е включен, не свети, не излиза пара.

- ① Уредът не се захранва, няма ток.
- ② Проверете дали уредът е включен и дали в контакта има ток.

☞ Червеният светлинен индикатор премигва 5 пъти, няма пара.

- ① Няма вода в резервоара.
- ② Сипете чиста и студена дестилирана или деминерализирана вода в резервоара.

☞ Парата има неприятен мирис.

- ① Уредът е нов.
- ② Изпразнете резервоара за вода и го оставете да се проветрява минимум 12 часа.

- ③ Водата е замърсена или е стояла твърде дълго в резервоара.
- ④ Изключете уреда от електрическата мрежа, изпразнете резервоара за вода, изплакнете и избършете резервоара и го напълнете с деминерализирана или дестилирана вода.

☞ Силата на парата е малка.

- ① Дюзата за изпускане на пара е запушена.
- ② Изключете уреда и почистете дюзата за изпускане на пара.
- ③ Водата е замърсена или е стояла твърде дълго в резервоара.
- ④ Почистете резервоара и налейте чиста и студена вода.

☞ Уредът издава ненормален шум по време на работа.

- ① Уредът е поставен върху нестабилна или неравна повърхност.
- ② Изключете уреда и го поставете върху равна и стабилна повърхност.

▲ Следните явления не се считат за неизправности:

- 1 Ако водата е особено твърда (съдържа много минерали), овлажнителят може да произведе да нещо като бял прах. Това не означава, че има някаква повреда. Решението е да почиствате по-често антиваровиковия филтър или да използвате по-малко твърда вода.
- 2 Ако стоите близо до овлажнителя, ще чувате бълбукането на водата и това е нормално.
- 3 Уредът работи много тихо, но не е съвсем безшумен. Ако нивото на шума е под 35 DB, това се счита за нормално.

☞ СЪВЕТИ ОТНОСНО ИЗВЪРЛЯНЕТО НА ОТПАДЪЦИТЕ

Опаковката е направена изцяло от материали, които не представляват опасност за околната среда и които могат да бъдат предадени в центъра за преработване на отпадъци във вашата община, за да бъдат използвани като вторични суровини. Можете да оставите кашона в контейнер за събиране на хартия. Опаковъчното фолио трябва да предадете в центъра за преработване и рециклиране на отпадъци във вашата община.

След като престанете да използвате устройството, извърлете го по начин, който не вреди на околната среда и е в съответствие с изискванията на законодателството.

Преди това извадете батерията и я поставете в контейнера за събиране, за да бъде рециклирана.

ОГРАНИЧЕНА ГАРАНЦИЯ

LANAFORM гарантира, че този продукт не притежава материални и фабрични дефекти, считано от датата на закупуването му за период от две години, с изключение на уточненията по-долу.

Гаранцията LANAFORM не покрива щетите, които са причинени от нормалното износване на продукта. Гаранцията на продукта LANAFORM не покрива също и щетите, които са причинени от неправилното или неподходящото му използване, както и от всяка друга неправилна употреба, злоупотреба, закрепване на неразрешени аксесоари, изменение, извършено върху продукта, или при всяко друго условие, независимо от неговото естество, което не може да се контролира от LANAFORM.

LANAFORM не носи отговорност за никаква допълнителна, последваща или специална щета.

Всяка друга имплицитна гаранция за годност на продукта се ограничава за период от две години, считано от датата на първоначалното му закупуване, с изключение за представяне на копие от документа, удостоверяващ продажбата.

След като получи Вашия уред, LANAFORM ще го поправи или подмени, в зависимост от обстоятелствата, и ще Ви го върне. Гаранцията се прилага единствено посредством Сервизния център на LANAFORM. Всяка дейност по поддръжката на този продукт, която е възложена на друго, различно от Сервизния център на LANAFORM, лице, анулира настоящата гаранция.



2 YEAR WARRANTY

Dobra
LA120124 / LOT 001

MANUFACTURER & IMPORTER
LANAFORM SA

POSTAL ADDRESS
Rue de la Légende, 55
4141 Louveigné, Belgium
Tel. +32 4 360 92 91
info@lanaform.com
www.lanaform.com

LANAFORM