

Master Box Dimensions
40.5 × 27.5 × 17.2 cmColour Box Dimensions
13.0 × 13.0 × 17.2 cmMaster Box Weight
4.0 kgColour Box Weight
0.35 kgVoltage / Power
5V / 3W

ESSENTIAL OIL DIFFUSER

Bora Bora

AIR QUALITY

LANAFORM

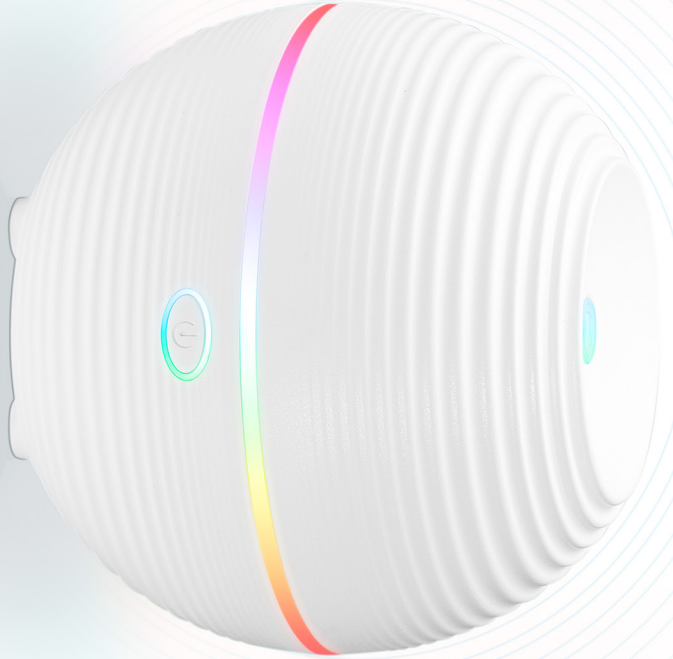
Bora Bora
ESSENTIAL OIL DIFFUSER

AIR QUALITY

LANAFORM

Find out about **Bora Bora**
gentle heat diffuser and
take full and easy advantage
of the benefits of essential oils

Welcome to
Bora Bora

GENTLE HEAT
& VENTILATIONDOES NOT DILUTE
ESSENTIAL OILSNO WATER
REQUIRED1 HR. AUTO
SWITCH OFFCOLOUR
CHANGING MODEUSB OR DC
POWERED

🕒 WHAT IS GENTLE HEAT DIFFUSION ?

Essential oils are heated gently and continuously, releasing aromatic particles into the air. Unlike diffusion by ultrasound, gentle heat diffusion operates **without water having to be added.**



⊕ THE BENEFITS OF GENTLE HEAT DIFFUSION

Undiluted essential oil particles are lighter and stay suspended in the air for longer, increasing their beneficial action. **Their properties are also preserved** thanks to controlled heat that does not exceed **50°C**. LANAFORM's **100% pure essential oils certified organic** are therefore an ideal partner for diffusing **Bora Bora**.

↔ GENTLE HEAT OR ULTRASOUND DIFFUSER ?

You'll prefer **gentle heat diffusion** if you take full advantage of the properties of essential oils in a limited space, as in a bedroom where you can fall asleep with the oils thanks to its silent diffusion ; ▾

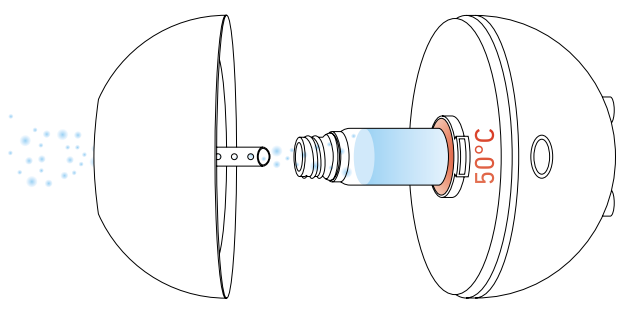
Ultrasound diffusion will be the most appropriate if you prefer to take advantage of a more pervasive fragrant environment, as well as an aesthetically appealing, relaxing mist. ▾



LANAFORM
Bora Bora



LANAFORM
Bali



🛏 THE BEST DIFFUSER FOR GETTING TO SLEEP

The gentle heat diffusion method is **completely silent** and best used in a room with the surface area of a bedroom. Furthermore, the **Bora Bora** diffuser **stops automatically after 1 hour**. It's therefore perfect for going to sleep while enjoying the benefits of aromatherapy.

⊕ BENEFITS OF THE BORA BORA

To use the **Bora Bora**, just pour a few drops of essential oil into the container or pour a bottle of LANAFORM's organic essential oil directly into it. The absence of water **helps maintain the diffuser and prolongs its serviceable life** by avoiding the problems associated with limescale. Furthermore, the **Bora Bora** can be adapted to create any atmosphere by using its two light modes: alternating colours or a set colour of your choice. Finally, it can be taken anywhere and plugged in easily using its **USB port**.



LANAFORM's 100% pure essential oils certified organic are therefore an ideal partner for diffusing **Bora Bora**.