

LANAFORM

Moony

HUMIDIFIER 3 IN 1



HUMIDIFIER



NIGHTLIGHT



LIGHT
PROJECTION

HUMIDIFICATEUR
3 EN 1

3-IN-1
LUCHTBEVOCHTIGER

LUFTBEFEUCHTER
3-IN-1

NAWILŻACZ
3 W 1

ZVLHČOVAČ
3 V 1

VLAŽILNIK ZRAKA
3 V 1

FIG. 1

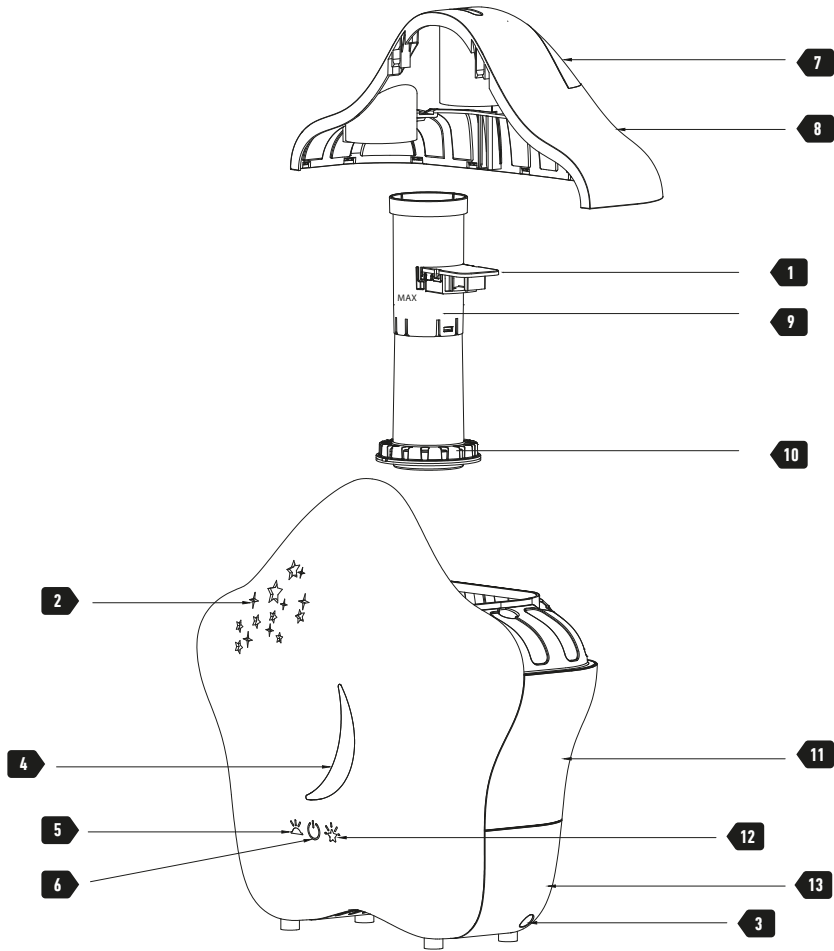


FIG. 2

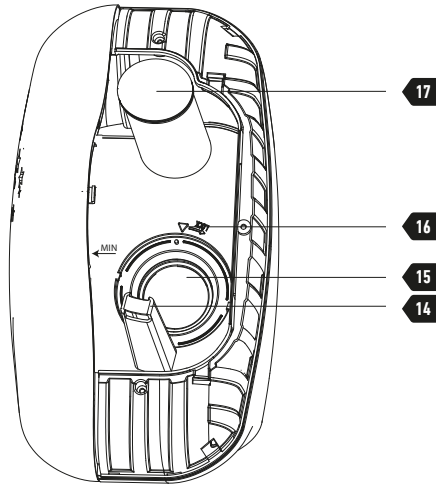
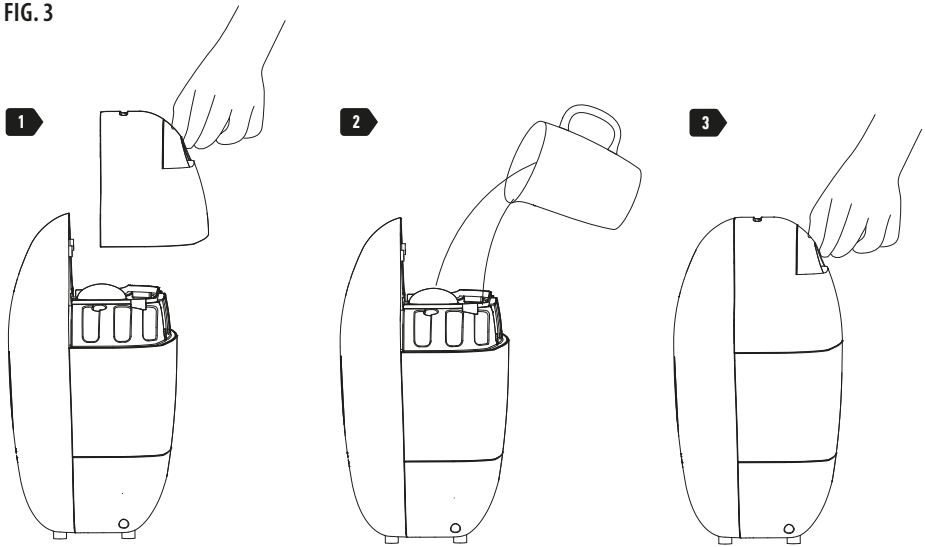


FIG. 3



ENGLISH

☑ The photographs and other images of the product in this manual and on the packaging are as accurate as possible, but do not claim to be a perfect reproduction of the product.

INTRODUCTION

Thank you for choosing the “Moony” 3-in-1 humidifier by LANAFORM. With its ultrasound technology, “Moony” helps you to restore a proper humidity level in your child’s bedroom and eliminate any discomfort associated with dry air. Furthermore, with its nightlight function and star projection with colour-changing LED, it transforms your child’s bedroom into a magical and calming setting in which to fall asleep.

▲ PLEASE READ ALL THE INSTRUCTIONS BEFORE USING YOUR HUMIDIFIER, ESPECIALLY THIS BASIC SAFETY INFORMATION:

- Use this device only in accordance with the instructions given in this manual.
- This device is not intended for use by people, including children, with reduced physical, sensory or mental capabilities, or people with a lack of experience or knowledge, unless someone responsible for their safety can supervise or instruct them beforehand on how to use the device. Children should be supervised to make sure they do not play with the device.
- Check that your mains voltage is the same as that of your device.
- Always place the “Moony” humidifier on a hard, flat and horizontal surface. Keep it away from walls and heat sources such as stoves, radiators, etc.

Please note: If it is not placed on a horizontal surface, the device may not work properly.

- Please place the device somewhere that is inaccessible to children.
- Do not connect or disconnect the plug of the device with wet hands.
- If the power cable is damaged, it must be replaced by a similar cable available from the supplier or the supplier’s after-sales department.
- Do not leave the device exposed to direct sunlight.
- Fill the reservoir with clean, fresh, distilled or demineralised water.
- Do not take the device apart either as a whole or even its base unit.
- Do not switch on the device when there is no water in the reservoir.

- Do not shake the device. This could cause the water to spill over into the base unit and prevent the device from working.
- Never touch the water or components when the unit is running.
- If there is an unusual smell when the device is being used as described in this manual, switch off the device, unplug it and have it examined by the supplier or the supplier’s after-sales department.
- Do not pour hot water, i.e. water with a temperature above 40°C, into the reservoir.
- Unplug the device before cleaning it or removing the reservoir.
- Do not wash the entire unit with water and do not immerse it in water. Consult the cleaning instructions in this manual.
- Never scrape the transducer with a hard tool. The “Moony” humidifier must be cleaned regularly. To do this, consult the cleaning instructions in this manual and follow them.
- If it falls into water, unplug it immediately before retrieving it.
- Electrical appliances should never be left unattended when connected. Unplug it when you are not using it.
- Keep the power cable away from hot surfaces.
- Never use this appliance in a room in which aerosols (sprays) are used or in a room where oxygen is administered.
- Do not put items of clothing or towels on top of the device. If the nozzle is obstructed, this may cause the device to malfunction.
- When moving the device, lift it up by the base and not by the water reservoir.
- Do not use the humidifier if the air in the room is already sufficiently humid (relative humidity of at least 50%). The ideal relative humidity level for human comfort is between 45% and 55%. Excess humidity manifests itself in condensation on cold surfaces or on cold walls in the room. To measure the room’s humidity correctly, use a hygrometer available in most specialist shops and hypermarkets.
- The temperature of the room must always be between 5°C and 40°C.
- The “Moony” humidifier is designed for indoor and domestic use only.
- Use only ORGANIC essential oils with the humidifier. To do this, consult the chapter on the use of essential oils.
- The device is designed for domestic use only.
- Do not insert any object into the openings of the device.

COMPONENTS OF THE DEVICE

- 1 Air inlet
- 2 Nightlight lens
- 3 DC jack socket
- 4 Water reservoir gauge
- 5 Projection touch button
- 6 Humidification touch button
- 7 Handle
- 8 Reservoir lid
- 9 Mist conductor
- 10 Water inlet
- 11 Reservoir
- 12 Nightlight touch button
- 13 Base
- 14 Exhaust vent
- 15 Transducer
- 16 Locking markings
- 17 Projection lens

INSTRUCTIONS FOR USE

Prior guidance

- Take the humidifier out of its packaging by lifting it by the base and not by the handle.
- Make sure there are no faults and that the device is clean before starting to use it. If you notice any faults, return the humidifier to the supplier or the supplier’s after-sales department.
- Put the “Moony” humidifier in the room for half an hour before switching it on so that it can adjust to room temperature.
- The temperature of the room must always be between 5°C and 40°C.
- Make sure it is always placed on a hard, flat, horizontal water-resistant surface. Keep it away from any electrical device and heat sources such as stoves, radiators, etc. Keep it also some distance away from walls.
- Please place the device somewhere that is inaccessible to children.
- Before filling, make sure that the mist conductor is in the reservoir (cf. Filling).
- To empty the reservoir, make sure that the water does not flow back into the funnel through the exhaust vent (Fig. 2, point 14).

Filling

▲ Before filling, make sure that the mist conductor (Fig. 1, point 9) is in the reservoir! To do this, align the locking markings (Fig. 2, point 16), then turn the mist conductor in a clockwise direction until it is blocked by the locking tabs and the air inlet (Fig. 1, point 1) and the exhaust vent (Fig. 2, point 14) coincide.

Fill the reservoir by referring to Fig. 3:

- Remove the reservoir lid by its handle (Fig. 3, point 1).
- Fill the reservoir with clean distilled or demineralised water up to a maximum 40°C (Fig. 3, point 2). For best humidification and product lifetime, make sure that the water level is still between the minimum and maximum levels shown in the reservoir (Fig. 1-2).
- Replace the cover (Fig. 3, point 3).

▲ PLEASE NOTE

- DO NOT fill the reservoir above the indicator showing MAX filling level.
- DO NOT pour the water into the base through the exhaust vent (Fig. 2, point 14).
- DO NOT pour essential oils on to the projection lens (Fig. 2, point 17).

Air humidification function

- With dry hands, insert the end of the adapter in the DC jack socket located on the back of the diffuser (Fig. 1, point 3).
- The humidifier is fitted with 3 mist intensities:
 - Press the humidification button (Fig. 1, point 6) once: the light is green and humidification has been activated at the lowest intensity (120 ml/hr);
 - Press the humidification button twice: the light is blue and humidification has been activated at medium intensity (150 ml/hr);
 - Press the humidification button three times: the light is red and humidification has been activated at the highest intensity (180 ml/hr);
 - Press the humidification button four times: the light goes out and humidification stops.

When the reservoir is empty, the light flashes red (x10) and humidification stops automatically. The other functions remain active.

Use of essential oils

To diffuse organic essential oils in the room, pour a few drops of organic essential oils (maximum 3-4) directly into the water and then put the lid back on the reservoir (Fig. 3, point 3).

▲ WARNING

ADDITIONAL INFORMATION RELATING TO THE USE OF ESSENTIAL OILS

- Before using essential oils, please check the harmful effects that use of these products may have on your health.

- Always choose quality essential oils that are pure, 100% natural and intended for diffusion. Use them in moderation and with care. Follow the instructions and warnings stated on the packaging of the essential oils, in particular noting that:
 - Pregnant women, people with epilepsy, asthmatics and people who suffer from allergies, those with heart problems or serious illnesses should not use essential oils.
 - Essential oils should be used only for periods not exceeding 10 minutes in the room of a baby (under 3 years old) and only when the baby is not actually in the room.
- Make sure that children and minors do not play with or use the device.
- Just a few drops (3 to 4 drops at most) of essential oils are sufficient to ensure that the device works properly and the scent is diffused. Excessive use of essential oils could damage the device.
- Lanaform cannot be held liable in the event of accidental damage resulting from any use contrary to the instructions given in this manual.

Nightlight function

- Press the nightlight button (Fig. 1, point 12) once: the light switches on and the nightlight mode is active;
- Press the nightlight button twice: the light switches off and the nightlight mode is disabled.

Light projection function

- Press the projection button (Fig. 1, point 5) once: the light is blue and the active light projection active for a period of 20 minutes;
- Press the projection button twice: the light is green and the light projection is active continuously;
- Press the projection button three times: the light goes out and the light projection is disabled.

▲ PLEASE NOTE: EVEN THOUGH THERE IS A SAFETY DEVICE THAT STOPS THE TRANSDUCER FROM WORKING, DO NOT LEAVE THE DEVICE CONNECTED WHEN YOU ARE NOT USING IT.

MAINTENANCE AND STORAGE

Always switch off the humidifier and empty the water in the reservoir before cleaning or storing it.

If the water is hard, i.e. if it contains too much calcium and magnesium, it may leave a "white powder" in the device and cause frothing on the surface of the basin, on the transducer (ceramic pellets producing ultrasound) and on the internal walls of the water reservoir. Frothing on the surface of the transducer means that the device will not work properly.

We recommend:

- 1 Using water that has been boiled and cooled or distilled water each time the device is used,
- 2 Cleaning the reservoir every 3 days and cleaning the transducer every week,
- 3 Changing the water in the reservoir regularly so that it stays fresh, and not leaving it there for longer than 2 days,
- 4 Cleaning the entire device and making sure that all its parts are completely dry when it is not in use.

To clean the transducer:

- 1 Turn the mist conductor (Fig. 1, point 9) anti-clockwise until the release markings are aligned, then remove the conductor
- 2 Place 2 to 5 drops of vinegar on its surface and leave for 2 to 5 minutes.
- 3 Brush the foam off the surface with a soft brush. Do not use a hard tool to scrape the surface.
- 4 Rinse the transducer with clean water.
- 5 Do not use soap or other basic substances to clean the transducer.

To clean the basin:

- 1 Clean the basin with water using a soft cloth and vinegar if there are foam OR limescale deposits on the inside.
- 2 If the foam covers the safety switch, put a few drops of vinegar on it and clean it with a brush.
- 3 Rinse the basin in clean water.

STORAGE:

- 1 Clean and dry the humidifier carefully using ultrasound, following the maintenance instructions.
- 2 Let it dry completely before storing it. Do not store it if there is still water in the base.
- 3 Store the device in a dry, cool place out of the reach of children.

BREAKDOWNS AND SOLUTIONS

In the event of a malfunction under normal conditions of use, please refer to the following table:

No steam, no light showing.

- ⊕ If there is no light.
- ⊖ Check that the device is connected and that there is no mains fault.
- ⊕ The water level in the reservoir is too low.
- ⊖ Add water to the reservoir.
- ⊕ Water is leaking from the reservoir.
- ⊖ Check that the reservoir is in the right position.
- ⊕ The temperature of the unit is too low.
- ⊖ Place the unit in a room at ambient temperature for half an hour prior to use.

Mist has an unusual smell.

- ⊕ The water has been standing in the reservoir for too long.
- ⊖ Clean the reservoir, then pour into it clean, fresh, distilled or demineralised water.

Low intensity misting.

- ⊕ Too much/too little water in the reservoir.
- ⊖ Empty water out of the reservoir or add water to it.
- ⊕ Sediment on the transducer. the reservoir for too long.
- ⊖ Clean the transducer.
- ⊕ The water is too cold.
- ⊖ Use water that is at room temperature.
- ⊕ The water is not clean.
- ⊖ Clean the reservoir, then pour into it clean, fresh, distilled or demineralised water

Condensation forms on the humidifier or windows.

- ⊕ Misting intensity is too high for the size of the room or includes the pre-existing humidity level.
- ⊖ Reduce the misting intensity or switch off the humidifier.

▲ Please note

The breakdowns listed above are listed for information purposes. If in doubt, do not try to repair or open the device yourself, but contact the supplier or the supplier's after-sales department.

TECHNICAL FEATURES

- Model: LA120122
- Voltage: 100-240V~
- Frequency: 50/60Hz
- Power: 25W
- Capacity: 2.5L

ADVICE REGARDING THE DISPOSAL OF WASTE

All the packaging is composed of materials that pose no hazard for the environment and which can be disposed of at your local sorting centre to be used as secondary raw materials. The cardboard may be disposed of in a paper recycling bin. The packaging film must be taken to your local sorting and recycling centre.

When you have finished using the device, please dispose of it in an environmentally friendly way and in accordance with the law.

LIMITED WARRANTY

LANAFORM guarantees this product against any material or manufacturing defect for a period of two years from the date of purchase, except in the circumstances described below.

The LANAFORM guarantee does not cover damage caused as a result of normal wear to this product. In addition, the guarantee covering this LANAFORM product does not cover damage caused by abusive or inappropriate or incorrect use, accidents, the use of unauthorized accessories, changes made to the product or any other circumstance, of whatever sort, that is outside LANAFORM's control.

LANAFORM may not be held liable for any type of circumstantial, indirect or specific damage.

All implicit guarantees relating to the suitability of the product are limited to a period of two years from the initial date of purchase as long as a copy of the proof of purchase can be supplied.

On receipt, LANAFORM will repair or replace your appliance at its discretion and will return it to you. The guarantee is only valid through LANAFORM's Service Centre. Any attempt to maintain this product by a person other than LANAFORM's Service Centre will render this guarantee void.

FRANCAIS

❑ Les photographies et autres représentations du produit dans le présent manuel et sur l'emballage se veulent les plus fidèles possibles mais peuvent ne pas assurer une similitude parfaite avec le produit.

INTRODUCTION

Nous vous remercions d'avoir acheté l'humidificateur 3 en 1 « Moony » de LANAFORM. Grâce à sa technologie à ultrasons, « Moony » vous aide à rétablir un taux d'hygrométrie adéquat dans la chambre de votre enfant et à éliminer les inconforts liés à un air sec. De plus, grâce à sa fonction veilleuse et la

projection étoilée à couleur changeante LED, il transforme la chambre de votre enfant en un endroit magique et apaisant pour son sommeil.

CONSIGNES DE SECURITE

▲ VEUILLEZ LIRE TOUTES LES INSTRUCTIONS AVANT D'UTILISER VOTRE HUMIDIFICATEUR, EN PARTICULIER CES QUELQUES CONSIGNES DE SECURITE FONDAMENTALES :

- N'utilisez cet appareil que dans le cadre du mode d'emploi décrit dans ce manuel.
- Cet appareil n'est pas prévu pour être utilisé par des personnes, y compris les enfants, dont les capacités physiques, sensorielles ou mentales sont réduites, ou des personnes dénuées d'expérience ou de connaissance, sauf si elles ont pu bénéficier, par l'intermédiaire d'une personne responsable de leur sécurité, d'une surveillance ou d'instructions préalables concernant l'utilisation de l'appareil. Il convient de surveiller les enfants pour s'assurer qu'ils ne jouent pas avec l'appareil.
- Vérifiez que la tension de votre réseau corresponde à celle de l'appareil.
- Placez toujours l'humidificateur « Moony » sur une surface dure, plane et horizontale. Eloignez-le légèrement des murs et des sources de chaleur telles que les poêles, radiateurs, etc.

Attention : S'il n'est pas placé sur une surface horizontale, il se peut que l'appareil ne puisse fonctionner correctement.

- Veillez à placer l'appareil à un endroit inaccessible pour les enfants.
- Ne branchez pas, ne débranchez pas la fiche électrique de l'appareil avec des mains mouillées.
- Si le cordon d'alimentation est endommagé, il doit être remplacé par un cordon similaire disponible auprès du fournisseur ou de son service après-vente.
- Ne laissez pas l'appareil exposé directement aux rayons du soleil.
- Remplissez le réservoir avec de l'eau propre et fraîche, distillée ou déminéralisée.
- Ne démontez ni l'appareil dans son intégralité, ni même son unité de base.
- N'allumez pas l'appareil lorsqu'il n'y a pas d'eau dans le réservoir.
- Ne secouez pas l'appareil. Cela pourrait faire déborder l'eau dans l'unité de base et affecter son fonctionnement.
- Ne touchez jamais l'eau et les composants lorsque l'unité fonctionne.
- Si une odeur anormale survient en cours d'utilisation décrite dans le présent manuel, éteignez l'appareil, débranchez-le et faites-le examiner par le fournisseur ou son service après-vente.

- Ne versez pas d'eau chaude dans le réservoir, c'est-à-dire avec une température supérieure à 40°C.
- Débranchez l'appareil avant de le nettoyer ou d'enlever le réservoir.
- Ne lavez pas l'unité complète à l'eau et ne l'immergez pas, reportez-vous aux consignes de nettoyage du présent manuel.
- Ne grattez jamais le transducteur à l'aide d'un outil dur. L'humidificateur « Moony » doit être nettoyé régulièrement. Pour ce faire, reportez-vous aux consignes de nettoyage du présent manuel et respectez-les.
- Débranchez immédiatement un appareil tombé dans l'eau avant de le récupérer.
- Un appareil électrique ne doit jamais rester branché sans surveillance. Débranchez-le lorsque vous ne l'utilisez pas.
- Éloignez le cordon électrique des surfaces chaudes.
- N'utilisez jamais cet appareil dans une pièce où des produits aérosols (sprays) sont employés ou dans une pièce où de l'oxygène est administré.
- Ne placez pas de vêtements ou de serviettes sur le dessus de l'appareil. Si la buse est obstruée, cela peut provoquer un dysfonctionnement de l'appareil.
- Lors du déplacement de l'appareil, soulevez-le par la base et non par le réservoir d'eau.
- N'utilisez pas l'humidificateur si l'air de la pièce est déjà suffisamment humide (au moins 50% d'hygrométrie relative). En effet, le taux d'humidité relative idéal pour le confort des êtres humains se situe entre 45% et 55%. Un excès d'humidité se manifeste par de la condensation sur les surfaces froides ou les murs froids de la pièce. Pour déterminer correctement le taux d'humidité de la pièce, utilisez un hygromètre disponible dans la plupart des magasins spécialisés et en grandes surfaces.
- La température de la pièce doit toujours se situer entre 5°C et 40°C.
- L'humidificateur « Moony » est conçu pour un usage intérieur et domestique uniquement.
- N'utilisez que des huiles essentielles BIO avec l'humidificateur. Pour ce faire reportez-vous au chapitre relatif à l'utilisation des huiles essentielles.
- L'appareil est conçu pour un usage domestique uniquement.
- N'insérez aucun objet dans les ouvertures de l'appareil.

COMPOSANTS DE L'APPAREIL

- 1 Entrée d'air
- 2 Lentille de la veilleuse
- 3 Entrée DC-jack
- 4 Jauge du réservoir d'eau
- 5 Bouton tactile de projection
- 6 Bouton tactile d'humidification
- 7 Poignée
- 8 Couverture du réservoir
- 9 Conducteur de brume
- 10 Entrée d'eau
- 11 Réservoir
- 12 Bouton tactile de veilleuse
- 13 Base
- 14 Sortie d'air
- 15 Transducteur
- 16 Marquage de verrouillage
- 17 Lentille de projection

INSTRUCTIONS D'UTILISATION

Consignes préalables

- Ôtez l'humidificateur de son emballage en le soulevant par la base et non par la poignée.
- Vérifiez qu'il ne comporte aucun défaut et assurez-vous de la propreté de l'appareil avant de commencer à l'utiliser. En cas de défectuosité constatée, rappelez l'humidificateur auprès du fournisseur ou de son service après-vente.
- Placez l'humidificateur « Moony » dans la pièce une demi-heure avant de l'allumer afin qu'il s'adapte à la température ambiante.
- La température de la pièce doit toujours se situer entre 5°C et 40°C.
- Veillez à ce qu'il soit toujours posé sur une surface dure, horizontale et résistante à l'eau. Eloignez-le de tout appareil électrique et des sources de chaleur telles que les poêles, radiateurs, etc. Eloignez-le également légèrement des murs.
- Veillez à placer l'appareil à un endroit inaccessible pour les enfants.
- Avant le remplissage, veillez à ce que le conducteur de brume soit placé dans le réservoir (Cf Remplissage).
- Pour vider l'eau du réservoir, assurez-vous que de l'eau ne rentre pas dans la cheminée par la sortie d'air (Fig. 2, point 14).

Remplissage

▲ Avant le remplissage, veillez à ce que le conducteur de brume (Fig. 1, point 9) soit placé dans le réservoir ! Pour ce faire, alignez les marquages de verrouillage (Fig. 2, point 16) puis faites tourner le conducteur de brume dans le sens horaire jusqu'à ce qu'il soit bloqué par les pattes de verrouillage et que l'entrée d'air (Fig. 1, point 1) et la sortie d'air (Fig. 2, point 14) coïncident.

Remplissez le réservoir en vous référant à la Fig. 3 :

- Ôtez le couvercle du réservoir à l'aide de sa poignée (Fig. 3, point 1).
- Remplissez le réservoir d'eau claire distillée ou déminéralisée et à maximum 40°C (Fig. 3, point 2). Pour une meilleure humidification et durée de vie du produit, veillez à ce que le niveau d'eau reste compris entre le niveau minimum et le niveau maximum indiqués dans le réservoir (Fig. 1-2).
- Remplacez le couvercle (Fig. 3, point 3).

▲ ATTENTION

- NE PAS remplir le réservoir au-delà de l'indicateur du niveau de remplissage MAX.
- NE PAS verser de l'eau dans la base par la sortie d'air (Fig. 2, point 14).
- NE PAS verser d'huiles essentielles sur la lentille de projection (Fig. 2, point 17).

Fonction humidification de l'air

- Avec des mains sèches, insérez l'embout de l'adaptateur dans l'entrée DC-jack située à l'arrière de l'humidificateur (Fig. 1, point 3).
- L'humidificateur est muni de 3 trois intensités de vapeur :
- Pressez le bouton d'humidification (Fig. 1, point 6) une fois : le voyant lumineux est vert et l'humidification est activée à la plus faible intensité (120 ml/h);
- Pressez le bouton d'humidification deux fois : le voyant lumineux est bleu et l'humidification est activée à l'intensité moyenne (150 ml/h);
- Pressez le bouton d'humidification trois fois : le voyant lumineux est rouge et l'humidification est activée à la plus haute intensité (180 ml/h);
- Pressez le bouton d'humidification quatre fois : le voyant lumineux s'éteint et l'humidification s'arrête.

Quand le réservoir est vide, le voyant lumineux clignote en rouge (x10) et l'humidification s'arrête automatiquement. Les autres fonctions restent actives.

Utilisation des huiles essentielles

Pour la diffusion d'huiles essentielles biologiques dans la pièce, versez quelques gouttes d'huiles essentielles biologiques (maximum 3-4) directement dans l'eau et remettez ensuite le couvercle du réservoir (Fig. 3, point 3).

▲ Avertissement

INFORMATIONS COMPLEMENTAIRES RELATIVES A L'UTILISATION D'HUILES ESSENTIELLES

- Avant d'utiliser les huiles essentielles, veuillez-vous renseigner sur les effets négatifs à l'égard de la santé que peut engendrer l'usage de tels produits.
- Choisissez toujours des huiles essentielles de qualité : pures et 100 % naturelles et destinées à la diffusion. Utilisez-les avec modération et précaution. Respectez les indications et les mises en garde mentionnées sur les conditionnements des huiles essentielles en veillant notamment au fait que :
 - L'usage des huiles essentielles est interdit pour les femmes enceintes et les sujets épileptiques ou souffrants d'asthme ou d'allergie, les personnes ayant des problèmes de cœur ou des pathologies graves.
 - Dans une chambre de bébé (- de 3 ans), seule une utilisation des huiles essentielles ne dépassant pas plus de 10 minutes est autorisée et ce uniquement lorsque le bébé n'est pas présent dans la pièce.
 - Veillez à ce que les enfants et les mineurs d'âge ne jouent pas avec l'appareil et ne l'utilisent pas.
 - Seules quelques gouttes (3 à 4 gouttes maximum) d'huiles essentielles sont suffisantes en vue d'assurer un bon fonctionnement de l'appareil et la diffusion du parfum. Une utilisation excessive d'huiles essentielles pourrait endommager l'appareil.
 - Lanaform ne peut être tenu pour responsable en cas de dommage accidentel résultant de toute utilisation contraire à celles requises dans ce manuel d'utilisation.

Fonction veilleuse

- Pressez le bouton de veilleuse (Fig. 1, point 12) une fois : le voyant s'allume et le mode veilleuse est actif;

- Pressez le bouton de veilleuse deux fois : le voyant s'éteint et le mode veilleuse est désactivé.

Fonction projection lumineuse

- Pressez le bouton de projection (Fig. 1, point 5) une fois : le voyant lumineux est bleu et la projection lumineuse active pour une durée de 20 minutes ;
- Pressez le bouton de projection deux fois : le voyant lumineux est vert et la projection lumineuse est active de façon continue ;
- Pressez le bouton de projection trois fois : le voyant lumineux s'éteint et la projection lumineuse est désactivée.

▲ ATTENTION : MALGRÉ LE DISPOSITIF DE SÉCURITÉ QUI INTERROMPT LE FONCTIONNEMENT DU TRANSDUCTEUR, ÉVITEZ DE LAISSER L'APPAREIL SOUS TENSION LORSQUE VOUS NE L'UTILISEZ PAS.

ENTRETIEN ET RANGEMENT

Placez toujours l'humidificateur hors tension et videz l'eau contenue dans le réservoir avant de le nettoyer ou le ranger.

Si l'eau est dure, c'est-à-dire si elle contient trop de calcium et de magnésium, elle peut déposer une «poudre blanche» dans l'appareil et provoquer une lourde écume à la surface du bassin, sur le transducteur (pastille en céramique produisant les ultrasons) et sur les parois intérieures du réservoir d'eau. De l'écume sur le transducteur ne permet pas à l'appareil de fonctionner correctement.

Nous conseillons :

- 1 D'utiliser de l'eau bouillie et refroidie ou de l'eau distillée pour chaque utilisation,
- 2 De nettoyer le réservoir tous les 3 jours, de nettoyer le transducteur toutes les semaines,
- 3 De changer l'eau du réservoir régulièrement pour qu'elle reste fraîche, de ne pas l'y laisser plus de 2 jours,
- 4 De nettoyer tout l'appareil et de s'assurer que toutes ses pièces soient parfaitement sèches lorsqu'il n'est pas en service.

Pour nettoyer le transducteur :

- 1 Faites tourner le conducteur de brume (Fig. 1, point 9) dans le sens anti-horaire jusqu'à ce que

les marquages de déverrouillage s'alignent, puis retirez le conducteur.

- 2 Déposez 2 à 5 gouttes de vinaigre sur sa surface et laissez reposer de 2 à 5 minutes.
- 3 Brossez l'écume de la surface à l'aide d'une brosse douce. N'employez pas d'outil dur pour gratter la surface.
- 4 Rincez le transducteur à l'eau claire.
- 5 N'employez pas de savon ou d'autres substances basiques pour nettoyer le transducteur.

Pour nettoyer l'unité du bassin :

- 1 Nettoyez le bassin à l'eau, à l'aide d'un chiffon doux, et au vinaigre s'il y a de l'écume OU dépôts calcaires à l'intérieur.
- 2 Si l'écume recouvre l'interrupteur de sécurité, déposez-y quelques gouttes de vinaigre et nettoyez-le à la brosse.
- 3 Rincez le bassin à l'eau claire.

Rangement :

- 1 Nettoyez et séchez l'humidificateur à ultrasons soigneusement, en suivant les instructions d'entretien.
- 2 Laissez-le sécher complètement avant de le ranger. Ne le rangez pas en laissant de l'eau dans la base.
- 3 Rangez l'appareil dans un endroit sec et frais, hors de portée des enfants.

PANNES ET RESOLUTIONS

En cas de dysfonctionnement, dans des conditions normales d'utilisation, veuillez consulter le tableau suivant :

Pas de brumisation, pas de voyant lumineux.

- ⊗ S'il n'y a pas de lumière.
- ⊕ Vérifiez si l'appareil est branché ou s'il n'y a pas de panne au niveau du secteur.
- ⊗ Le niveau d'eau dans le réservoir est trop faible.
- ⊕ Ajoutez de l'eau dans le réservoir.
- ⊗ Fuite d'eau au niveau du réservoir.
- ⊕ Vérifiez que le réservoir soit correctement placé.
- ⊗ La température de l'unité est trop basse.
- ⊕ Placez l'unité dans une pièce à température ambiante une demi-heure avant usage.

Brumisation à odeur inhabituelle.

- ⊗ L'eau stagne depuis trop longtemps dans le réservoir.
- ⊕ Nettoyez le réservoir et versez-y de l'eau propre et fraîche, distillée ou déminéralisée.

Faible intensité de brumisation.

- ⊗ Trop (peu) d'eau dans le réservoir.
- ⊕ Videz (ajoutez) l'eau du réservoir.
- ⊗ Sédiments sur le transducteur.
- ⊕ Nettoyez le transducteur.
- ⊗ L'eau est trop froide.
- ⊕ Utilisez de l'eau à température ambiante.
- ⊗ L'eau n'est pas propre.
- ⊕ Nettoyez le réservoir et versez-y de l'eau propre et fraîche, distillée ou déminéralisée.

De la condensation se forme sur l'humidificateur ou sur les fenêtres.

- ⊗ L'intensité de la brumisation est trop élevée pour la taille de la pièce ou compte tenu du niveau d'humidité préexistant.
- ⊕ Diminuez l'intensité de brumisation ou éteignez l'humidificateur.

▲ ATTENTION

Les pannes listées ci-dessus le sont à titre indicative. En cas de doute, n'essayez pas de réparer l'appareil vous-même mais adressez-vous au fournisseur ou à son service après-vente.

CARACTERISTIQUES TECHNIQUES

- Modèle : LA120122
- Voltage : 100-240V~
- Fréquence : 50/60Hz
- Puissance : 25W
- Capacité : 2.5L

CONSEILS RELATIF À L'ÉLIMINATION DES DÉCHETS

L'emballage est entièrement composé de matériaux sans danger pour l'environnement qui peuvent être déposés auprès du centre de tri de votre commune pour être utilisés comme matières secondaires. Le carton peut être placé dans un bac de collecte papier. Les films d'emballage doivent être remis au centre de tri et de recyclage de votre commune.

Lorsque vous ne vous servez plus de l'appareil, éliminez-le de manière respectueuse

de l'environnement et conformément aux directives légales.

GARANTIE LIMITÉE

LANAFORM garantit que ce produit est exempt de tout vice de matériau et de fabrication à compter de sa date d'achat et ce pour une période de deux ans, à l'exception des précisions ci-dessous.

La garantie LANAFORM ne couvre pas les dommages causés suite à une usure normale de ce produit. En outre, la garantie sur ce produit LANAFORM ne couvre pas les dommages causés à la suite de toute utilisation abusive ou inappropriée ou encore de tout mauvais usage, accident, fixation de tout accessoire non autorisé, modification apportée au produit ou de toute autre condition, de quelle que nature que ce soit, échappant au contrôle de LANAFORM.

LANAFORM ne sera pas tenue pour responsable de tout type de dommage accessoire, consécutif ou spécial.

Toutes les garanties implicites d'aptitude du produit sont limitées à une période de deux années à compter de la date d'achat initiale pour autant qu'une copie de la preuve d'achat puisse être présentée.

Dès réception, LANAFORM réparera ou remplacera, suivant le cas, votre appareil et vous le renverra. La garantie n'est effectuée que par le biais du Centre Service de LANAFORM. Toute activité d'entretien de ce produit confiée à toute personne autre que le Centre Service de LANAFORM annule la présente garantie.

NEDERLANDS

De foto's en andere voorstellingen van het product in deze handleiding en op de verpakking zijn zo accuraat mogelijk. De kans bestaat echter dat de gelijkenis met het product niet perfect is.

INLEIDING

Hartelijk dank voor uw aankoop van de Moony 3-in-1 luchtbevochtiger van Lanaform. Dankzij de ultrasonische technologie helpt Moony u om de vochtigheidsgraad in de slaapkamer van uw kind op het juiste niveau te brengen en een einde te maken aan de ongemakken als gevolg van droge lucht. Doordat Moony ook als nachtlampje fungeert en sterren in wisselende ledkleuren projecteert, verandert de kamer bovendien in een magische plek die uw kind rustiger laat slapen.

VEILIGHEIDSVOORSCHRIFTEN

LEES ALLE INSTRUCTIES VOÓR INGEBRUIKNAME VAN DE LUCHTBEVOCHTIGER, IN HET BIJZONDER DEZE ESSENTIËLE VEILIGHEIDSVOORSCHRIFTEN:

- Gebruik dit apparaat alleen voor de toepassing die in deze handleiding is omschreven.
 - Dit apparaat is niet bedoeld voor gebruik door personen, kinderen inbegrepen, met een verminderd fysiek, zintuiglijk of mentaal vermogen, of door personen zonder ervaring of kennis, tenzij ze onder toezicht staan van een persoon die verantwoordelijk is voor hun veiligheid of toezicht, of voorafgaand instructies kregen over het gebruik van het apparaat. Zorg ervoor dat kinderen niet met het apparaat spelen.
 - Controleer of de netspanning overeenkomt met die van het apparaat.
 - Plaats de Moony luchtbevochtiger altijd op een hard, vlak en horizontaal oppervlak. Houd het apparaat uit de buurt van muren en warmtebronnen, zoals kachels, radiatoren enz.
- Opgelet: Als het apparaat niet op een horizontaal oppervlak staat, dan is het mogelijk dat het apparaat niet correct functioneert.
- Zet het apparaat op een plek die onbereikbaar is voor kinderen.
 - Steek de stekker niet in het stopcontact of verwijder hem niet met natte handen.
 - Als het snoer beschadigd is, dan moet het vervangen worden door een gelijkaardig snoer dat verkrijgbaar is bij de leverancier of zijn klantendienst.

- Stel het apparaat niet bloot aan rechtstreeks zonlicht.
- Vul het reservoir met schoon en vers, gedistilleerd of gedemineriseerd water.
- Demonteer noch het apparaat zelf, noch de basis.
- Schakel het apparaat niet in als er geen water in het reservoir zit.
- Schud het apparaat niet. Hierdoor zou er water in de basis kunnen lopen, wat de werking van het apparaat zou kunnen schaden.
- Raak nooit het water of de onderdelen aan wanneer het apparaat in werking is.
- Als u een abnormale geur waarneemt tijdens het gebruik zoals voorgeschreven in deze handleiding, schakel het apparaat dan uit, haal de stekker uit het stopcontact en laat het nakijken door de leverancier of zijn klantenservice.
- Giet geen warm water in het reservoir (water van meer dan 40°C).
- Haal de stekker uit het stopcontact voor u het apparaat schoonmaakt of het reservoir verwijderd.
- Was het volledige apparaat niet in water en dompel het niet onder. Raadpleeg de reinigingsinstructies in deze handleiding.
- Schraap nooit over de omzetter met een hard voorwerp. De Moony luchtbevochtiger moet regelmatig schoongemaakt worden. Raadpleeg en volg hiervoor de reinigingsinstructies in deze handleiding.
- Als het apparaat in water valt, trek dan eerst de stekker uit het stopcontact voordat u het apparaat uit het water haalt.
- Laat een elektrisch apparaat nooit onbeveerd aangesloten op het stroomnet. Haal de stekker uit het stopcontact wanneer u het apparaat niet gebruikt.
- Houd de stroomkabel uit de buurt van warme oppervlakken.
- Gebruik dit apparaat nooit in ruimten waar producten uit spuitbussen (sprays) worden gebruikt of waar zuurstof wordt toegediend.
- Plaats geen kleding of handdoeken op het apparaat. Als het mondstuk geblokkeerd wordt, kan dit leiden tot een slechte werking van het apparaat.
- Til het apparaat op aan de basis om het te verplaatsen, en niet aan het waterreservoir.
- Gebruik de luchtbevochtiger niet als de luchtvochtigheid in de kamer al voldoende hoog is (minstens 50% relatieve luchtvochtigheid). De ideale luchtvochtigheidsgraad voor de mens ligt immers tussen 45 en 55%. Een te hoge luchtvochtigheid leidt tot condensatie op koude oppervlakken of koude muren in de kamer. Om de luchtvochtigheidsgraad van een kamer te be-

- palen gebruikt u een vochtigheidsmeter. Dit apparaat is verkrijgbaar in de meeste speciaalzaken en grootwarenhuizen.
- De kamertemperatuur moet altijd tussen 5 °C en 40 °C liggen.
 - De Moony luchtbevochtiger is uitsluitend bestemd voor huishoudelijk gebruik binnenhuis.
 - Gebruik de luchtbevochtiger uitsluitend met biologische essentiële oliën. Raadpleeg daartoe het hoofdstuk over het gebruik van essentiële oliën.
 - Het apparaat is uitsluitend bestemd voor huishoudelijk gebruik.
 - Steek geen voorwerpen in de openingen van het apparaat.

ONDERDELEN VAN HET APPARAAT

- 1 Luchtingang
- 2 Stopcontact
- 3 DC-stekkeringang
- 4 Peil van het waterreservoir
- 5 Aanraakknop voor projectie
- 6 Aanraakknop voor bevochtiging
- 7 Handvat
- 8 Deksel van het reservoir
- 9 Vernevelaar
- 10 Watertoevoer
- 11 Reservoir
- 12 Aanraakknop voor nachtlampje
- 13 Basis
- 14 Luchtingang
- 15 Omzetter
- 16 Vergrendelingsmarkering
- 17 Projectielen

GEBRUIKSAANWIJZING

Voorafgaande instructies

- Haal de luchtbevochtiger uit de verpakking. Til het apparaat daarbij aan de basis op en niet aan het handvat.
- Controleer het apparaat op gebreken en verzeker u ervan dat het schoon is voordat u het in gebruik neemt. Als u een gebrek vaststelt, laat de luchtbevochtiger dan controleren bij de leverancier of bijbehorende klantenservice.
- Plaats de Moony luchtbevochtiger een half uur voor inschakeling in de kamer waar u hem zult gebruiken, zodat hij zich aan de omgevingstemperatuur kan aanpassen.
- De kamertemperatuur moet altijd tussen 5°C en 40 °C liggen.
- Plaats het apparaat altijd op een hard, horizontaal en waterbestendig oppervlak. Houd de luchtbevochtiger uit de buurt van

- elektrische apparaten en warmtebronnen, zoals kachels en radiatoren. Zet het apparaat ook iets van de muur af.
- Zet het apparaat op een plek die onbereikbaar is voor kinderen.
- Voor het vullen moet u ervoor zorgen dat de vernevelaar in het reservoir is geplaatst (cf. Vullen).
- Bij het leegmaken van het reservoir moet u nagaan dat het water niet in de schacht terecht komt via de luchtuitlaat (fig. 2, punt 14).

Vullen

▲ Voor het vullen moet u ervoor zorgen dat de vernevelaar (afb. 1, punt 9) in het reservoir is geplaatst! Aligneer daarvoor de vergrendelingsmarkering (afb. 2, punt 16), draai vervolgens de vernevelaar in wijzerzin totdat hij vastklikt in de vergrendelingspogtjes en totdat de luchtopening (afb. 1, punt 1) en waterafvoer (afb. 2, punt 14) samenvallen.

Vul het reservoir en raadpleeg daarvoor Fig. 3:

- Verwijder het deksel van het reservoir met behulp van het handvat (Fig. 3, punt 1).
- Vul het reservoir met gedistilleerd of gedomineerd helder water van maximaal 40 °C (Fig. 3, punt 2). Door ervoor te zorgen dat het waterpeil zich steeds bevindt tussen de minimum- en maximumniveaus die zijn aangegeven in het reservoir, krijgt u een betere bevochtiging en kent uw product een langere levensduur (Afb. 1-2).
- Plaats het deksel terug (Fig. 3, punt 3).

▲ OPGELET

- Vul het reservoir NIET hoger dan de bovenste waterpeilaanduiding (MAX).
- Giet GEEN water in de basis via de luchtuitgang (Fig. 2, punt 14).
- Giet GEEN essentiële oliën op de projectielen (Fig. 2, punt 17).

Luchtbevochtigingsfunctie

- Steek het uiteinde van de adapter met droge handen in de DC-stekkeropening aan de achterkant van de luchtbevochtiger (Fig. 1, punt 3).
- De luchtbevochtiger beschikt over 3 vernevelingsstanden:
 - Druk één keer op de bevochtigingsknop (Fig. 1, punt 6): het controlelampje brandt groen en de bevochtiging is ingeschakeld op de laagste stand (120 ml/uur);
 - Druk twee keer op de bevochtigingsknop: het controlelampje brandt blauw en de bevochtiging is ingeschakeld op de middelste stand (150 ml/uur);

- Druk drie keer op de bevochtigingsknop: het controlelampje brandt rood en de bevochtiging is ingeschakeld op de hoogste stand (180 ml/uur);
- Druk vier keer op de bevochtigingsknop: het controlelampje dooft en de bevochtiging stopt.

Wanneer het reservoir leeg is, knippert het controlelampje rood (x10) en stopt de bevochtiging automatisch. De andere functies blijven actief.

Gebruik van de etherische oliën

Om biologische essentiële oliën in de slaapkamer te verspreiden, giet u enkele druppels (maximaal 3-4) rechtstreeks in het water en doet u vervolgens het deksel weer op het reservoir (Fig. 3, punt 3).

▲ WAARSCHUWING

EXTRA INFORMATIE OVER HET GEBRUIK VAN ETHERISCHE OLIËN

- Voordat u etherische oliën gebruikt, moet u zich informeren over de schadelijke gevolgen voor de gezondheid die dergelijke producten kunnen hebben.
- Gebruik altijd etherische oliën van goede kwaliteit: puur en 100% natuurlijk, ontwikkeld voor verspreiding. Gebruik ze voorzichtig en met mate. Neem de aanwijzingen en waarschuwingen op de verpakkingen van etherische oliën in acht, met extra aandacht voor het volgende:
 - Het gebruik van etherische oliën is verboden voor zwangere vrouwen, epilepsie-, astma- of allergiepatiënten en mensen met hartproblemen of ernstige aandoeningen.
 - In een babykamer (kinderen jonger dan 3 jaar) mogen etherische oliën niet langer dan 10 minuten worden gebruikt en alleen wanneer de baby niet in de kamer aanwezig is.
- Zorg dat kinderen en minderjarigen niet met het apparaat spelen en het niet gebruiken.
- Enkele druppels (maximaal 3-4) etherische olie volstaan voor een goede werking van het apparaat en de verspreiding van de geur. Overmatig gebruik van etherische oliën kan het apparaat beschadigen.
- Lanaform kan niet aansprakelijk worden gesteld voor incidentele schade als gevolg van gebruik dat in strijd is met de voorschriften in deze handleiding.

Werking als nachtlampje

- Druk één keer op de knop voor het nachtlampje (Fig. 1, punt 12): het controlelampje gaat branden en het nachtlampje is ingeschakeld;
- Druk twee keer op de knop voor het nachtlampje: het controlelampje dooft en het nachtlampje is uitgeschakeld;

Werking als lichtprojector

- Druk één keer op de projectieknop (Fig. 1, punt 5): het controlelampje brandt blauw en de lichtprojectie is gedurende 20 minuten ingeschakeld;
- Druk twee keer op de projectieknop: het controlelampje brandt groen en de lichtprojectie is ononderbroken ingeschakeld;
- Druk drie keer op de projectieknop: het controlelampje dooft en de lichtprojectie is uitgeschakeld.

▲ **OPGELET: ONDANKS DE VEILIGHEIDSFUNCTIE DIE DE WERKING VAN DE OMZETTER ONDERBREEKT, HAALT U DE STEKKER HET BEST UIT HET STOPCONTACT WANNEER U HET APPARAAT NIET GEBRUIKT.**

ONDERHOUD EN OPBERGING

U moet altijd de stekker uit het stopcontact halen en het water uit het reservoir verwijderen voordat u de luchtbevochtiger schoonmaakt of opbergt.

Als het water hard is (d.w.z. te veel calcium en magnesium bevat), kan het een 'wit poeder' achterlaten in het apparaat en een dikke schuimlaag vormen aan het oppervlak van het reservoir, op de omzetter (het keramische plaatje dat de ultrasone trillingen voortbrengt) en op de binnenwanden van het waterreservoir. Schuim op de omzetter heeft geen invloed op de werking van het apparaat.

Wij raden het volgende aan:

- 1 Gebruik elke keer gedistilleerd water of gekookt water dat u hebt laten afkoelen.
- 2 Maak het reservoir om de 3 dagen schoon en maak de omzetter elke week schoon.
- 3 Vervang het water van het reservoir regelmatig, zodat het vers blijft. Laat het niet langer dan 2 dagen in het reservoir staan.
- 4 Maak het uitgeschakelde apparaat helemaal schoon en controleer of alle onderdelen volledig droog zijn.

Schoonmaken van de omzetter:

- 1 Draai de vernevelaar (afb. 1, punt 9) in tegenwijzerzin totdat de vergrendelingsmarkeringen gealigneerd zijn, en verwijder vervolgens de vernevelaar.
- 2 Giet 2 tot 5 druppels azijn op de omzetter en laat 2 tot 5 minuten inwerken.
- 3 Veeg met een zachte borstel het schuim van het oppervlak. Gebruik geen harde voorwerpen om het oppervlak af te krabben.
- 4 Spoel de omzetter met helder water.
- 5 Gebruik geen zeep of andere basische stoffen om de omzetter schoon te maken.

Schoonmaken van het reservoir:

- 1 Maak het waterreservoir schoon met een zachte doek en water. Gebruik azijn als er schuim-OF kalkafzetting aan de binnenkant zit.
- 2 Als er schuim op de veiligheidschakelaar zit, giet u er enkele druppels azijn op en veegt u de schakelaar schoon met de borstel.
- 3 Spoel het reservoir met helder water.

Opberging:

- 1 Reinig en droog de ultrasone luchtbevochtiger voorzichtig en neem daarbij de onderhoudsinstructies in acht.
- 2 Laat het apparaat volledig drogen voordat u het opbergt. Berg het apparaat niet op wanneer er nog water in het reservoir zit.
- 3 Bewaar het apparaat op een droge en koele plaats, buiten het bereik van kinderen.

STORINGEN EN OPLOSSINGEN

Bij slechte werking onder normale gebruiksomstandigheden kunt u de volgende tabel raadplegen:

Geen verneveling, geen controlelampje.

- ⊗ Als er geen lampje brandt.
- ⊗ Controleer of de stekker in het stopcontact zit en of er geen stroomonderbreking is.
- ⊗ Het waterpeil in het reservoir is te laag.
- ⊗ Giet water in het reservoir.
- ⊗ Er lekt water uit het reservoir.
- ⊗ Controleer of het reservoir correct geplaatst is.
- ⊗ De temperatuur van het apparaat is te laag.
- ⊗ Plaats het apparaat een half uur voor gebruik in een ruimte op kamertemperatuur.

Verneveling met een vreemde geur.

- ⊗ Het water zit al te lang in het reservoir.
- ⊗ Maak het reservoir schoon en vul het met schoon, vers, gedistilleerd of gedemineraliseerd water.

Zwakke verneveling.

- ⊗ Te veel of te weinig water in het reservoir.
- ⊗ Vul aan met water of giet wat water weg.
- ⊗ Afzettingen op de omzetter.
- ⊗ Maak de omzetter schoon.
- ⊗ Het water is te koud.
- ⊗ Gebruik water op kamertemperatuur.
- ⊗ Het water is niet schoon.
- ⊗ Maak het reservoir schoon en vul het met schoon, vers, gedistilleerd of gedemineraliseerd water.

Condensvorming op de luchtbevochtiger of de ramen.

- ⊗ De vernevelingsstand is te hoog gezien de grootte van de kamer of het reeds aanwezige vochtigheidsgehalte.
- ⊗ Verlaag de vernevelingsstand of zet de luchtbevochtiger uit.

▲ OPGELET

De bovengenoemde storingen worden ter indicatie vermeld. Probeer bij twijfel het apparaat niet zelf te repareren, maar wend u tot de leverancier of zijn klantenservice.

TECHNISCHE KENMERKEN

- Model: LA120122
- Voltage: 100-240V~

- Frequentie: 50/60 Hz
- Vermogen: 25W
- Inhoud: 2.5L

ADVIES OVER AFVALVERWIJDERING

De verpakking is volledig samengesteld uit milieuvriendelijke materialen die afgeleverd kunnen worden in het sorteercentrum van uw gemeente om gebruikt te worden als secundaire materialen. Het karton mag in een inzamelingscontainer voor papier geplaatst worden. De verpakkingfolie kan ingeleverd worden bij het sorteer- en recyclagecentrum van uw gemeente.

Wanneer u het toestel niet langer gebruikt, dient u dit op milieuvriendelijke wijze en overeenkomstig de wettelijke richtlijnen te verwijderen.

BEPERKTE GARANTIE

LANAFORM garandeert dat dit product geen onderdelen met gebreken en fabricagefouten bevat voor een periode van twee jaar vanaf de aankoopdatum, met uitzondering van de onderstaande gevallen.

LANAFORM dekt geen schade veroorzaakt door een normale slijtage van dit product.

Deze garantie op een product van LANAFORM dekt geen schade, veroorzaakt door een slecht of verkeerd gebruik van het toestel, een ongeluk, het bevestigen van niet-toegestane toebehoren, het aanpassen van het product of om het even welke andere omstandigheid, van welke aard ook, waar LANAFORM geen controle over heeft.

LANAFORM kan niet aansprakelijk worden gesteld voor gevolgschade, niet-rechtstreekse schade of specifieke schade van welke aard ook.

Alle garanties die impliciet te maken hebben met de geschiktheid van het product zijn beperkt tot een periode van twee jaar, te rekenen vanaf de oorspronkelijke aankoopdatum in zover een aankoopbewijs voorgelegd kan worden.

Na ontvangst zal LANAFORM het toestel herstellen of vervangen, naargelang het geval, en zal het u nadien ook terugsturen. De garantie wordt enkel uitgeoefend via het LANAFORM Service Center. Elke onderhoudsactiviteit op dit product die wordt toevertrouwd aan elke andere persoon dan iemand van het LANAFORM Service Center annuleert deze garantie.

DEUTSCH

☑ Die in diesem Benutzerhandbuch und auf der Verpackung enthaltenen Fotos und anderen Abbildungen des Produkts sind so wirklichkeitsgetreu wie möglich, es kann jedoch keine vollkommene Übereinstimmung mit dem tatsächlichen Produkt gewährleistet werden.

Einleitung

Sie haben sich für den Kauf des Luftbefeuchters 3-in-1 „Moony“ von LANAFORM entschieden – vielen Dank für Ihr Vertrauen! Dank der Ultraschall-Technologie schafft „Moony“ im Zimmer Ihres Kindes einen optimalen Luftfeuchtigkeitsgehalt und macht Schluss mit den Nachteilen trockener Luft. Außerdem verzaubert er das Kinderzimmer mit seiner Nachlicht-Funktion und durch die LED-Licht-Projektion von Sternen in unterschiedlichen Farben in einen magischen und spannenden Ort und schafft optimale Schlafbedingungen.

Sicherheitshinweise

▲ LESEN SIE BITTE ALLE ANWEISUNGEN, BEVOR SIE IHREN LUFTBEFEUCHTER VERWENDEN, INSBESONDERE DIESE GRUNDLEGENDEN SICHERHEITSAUFRUFEN:

- Dieses Gerät darf nur auf die in dieser Anleitung beschriebene Weise verwendet werden.
- Personen (einschließlich Kinder), die aufgrund ihrer physischen, sensorischen oder geistigen Fähigkeiten oder ihrer Unerfahrenheit bzw. Unkenntnis nicht in der Lage sind, das Gerät sicher zu benutzen, sollten es nicht ohne Aufsicht oder Anweisung durch eine verantwortliche Person verwenden. Kinder müssen beaufsichtigt werden, um sicherzustellen, dass sie nicht mit dem Gerät spielen.
- Stellen Sie sicher, dass Ihre Netzspannung für das Gerät geeignet ist.
- Der Luftbefeuchter „Moony“ muss immer auf einer harten, ebenen und waagerechten Oberfläche aufgestellt werden. Platzieren Sie das Gerät mit leichtem Abstand zu Wänden und Hitzequellen, wie z. B. Öfen, Heizkörpern usw.

Achtung: Wenn sich das Gerät nicht auf einer waagerechten Oberfläche befindet, ist es möglich, dass es nicht einwandfrei funktioniert.

- Bitte stellen Sie das Gerät an einem für Kinder unzugänglichen Ort auf.

- Der Netzstecker darf nicht mit feuchten Händen angeschlossen bzw. aus der Steckdose entfernt werden.
- Falls das Netzkabel beschädigt ist, muss es durch ein gleiches, beim Hersteller oder seinem Kundendienst erhältliches Kabel ersetzt werden.
- Das Gerät darf nicht direkter Sonnenbestrahlung ausgesetzt werden.
- Der Wassertank darf nur mit sauberem und frischem, destilliertem oder demineralisiertem Wasser befüllt werden.
- Bauen Sie das Gerät nicht auseinander, auch nicht das Unterteil.
- Schalten Sie das Gerät nicht ohne Wasser im Tank an.
- Schütteln Sie das Gerät nicht. Auf diese Weise könnte Wasser in das Unterteil gelangen und die Funktionsweise beeinträchtigt werden.
- Fassen Sie weder das Wasser noch die Geräteteile während des Betriebs an.
- Wenn es bei Betrieb gemäß dieser Bedienungsanleitung zu einer ungewöhnlichen Geruchsentwicklung kommt, schalten Sie das Gerät aus, ziehen Sie den Netzstecker und lassen Sie es vom Händler oder dessen Kundendienst untersuchen.
- Füllen Sie kein heißes Wasser in den Wassertank ein, d.h. die Temperatur darf nicht über 40°C betragen.
- Vor dem Reinigen oder Entfernen des Wassertanks muss der Netzstecker aus der Steckdose gezogen werden.
- Reinigen Sie nicht das gesamte Gerät mit Wasser und tauchen Sie es nicht in Wasser ein. Bitte beachten Sie die in dieser Bedienungsanleitung aufgeführten Reinigungshinweise.
- Bearbeiten Sie den Transduktor nicht mit einem harten Gegenstand. Der Luftbefeuchter „Moony“ muss regelmäßig gereinigt werden. Bitte beachten Sie diesbezüglich die im Rahmen dieser Bedienungsanleitung aufgeführten Reinigungshinweise.
- Bevor Sie ein Gerät, das ins Wasser gefallen ist, wieder herausholen, muss der Netzstecker unbedingt aus der Steckdose gezogen werden!
- Ein Elektrogerät darf ohne Aufsicht niemals am Stromnetz angeschlossen bleiben. Ziehen Sie bei Nichtbenutzung des Geräts den Netzstecker aus der Steckdose.
- Halten Sie das Netzkabel fern von heißen Oberflächen.
- Verwenden Sie dieses Gerät niemals in einem Raum, in dem Aerosolprodukte (Sprays) benutzt werden, oder in einem

Zimmer, in dem Sauerstoff verabreicht wird.

- Das Gerät nicht mit Kleidungsstücken oder Handtüchern bedecken. Wenn die Düse verstopft ist, kann es zu einer Funktionsstörung des Geräts kommen.
- Das Gerät muss zum Umstellen am Unterteil angehoben werden und nicht über den Wassertank.
- Der Luftbefeuchter sollte nicht verwendet werden, wenn die Raumluft schon ausreichend befeuchtet ist (mindestens 50 % relative Luftfeuchtigkeit). Die für das menschliche Wohlbefinden ideale relative Luftfeuchtigkeit liegt zwischen 45 % und 55 %. Ein zu hoher Feuchtigkeitsgehalt zeigt sich in der Bildung von Kondenswasser auf kalten Oberflächen oder kalten Zimmerwänden. Um den Luftfeuchtigkeitsgehalt des Raums einwandfrei zu bestimmen, sollten Sie einen speziellen Feuchtigkeitsmesser (Hygrometer) verwenden, den Sie in Spezialgeschäften oder Großmärkten erhalten.
- Die Raumtemperatur sollte immer zwischen 5 °C und 40 °C liegen.
- Der Luftbefeuchter „Moony“ eignet sich ausschließlich für den Einsatz im häuslichen Bereich.
- Es sollten ausschließlich ätherische Öle mit BIO-Qualität für den Luftbefeuchter verwendet werden. Zusätzliche Informationen diesbezüglich finden Sie im Kapitel mit weiteren Informationen zur Verwendung von ätherischen Ölen.
- Dieses Gerät eignet sich ausschließlich für den Einsatz im häuslichen Bereich.
- Es dürfen keine Objekte in die Öffnungen des Geräts eingeführt werden.

Bestandteile des Geräts

- 1 Lufterlass
- 2 Linse des Nachlichts
- 3 Eingang DC-Buchse
- 4 Wasserstandsanzeige Tank
- 5 Taster-Schalter Projektion
- 6 Touch-Schalter Luftbefeuchtung
- 7 Griff
- 8 Deckel des Tanks
- 9 Nebelleiter
- 10 Wasserzufuhr
- 11 Wassertank
- 12 Touch-Schalter Nachlicht
- 13 Unterteil
- 14 Luftauslass
- 15 Transduktor
- 16 Verriegelungsmarkierung
- 17 Projektionsobjektiv

BEDIENUNGSANWEISUNG

Vorbereitung

- Entfernen Sie den Luftbefeuchter aus seiner Verpackung, indem Sie ihn von unten und nicht am Griff hochheben.
- Prüfen Sie, dass das Gerät keinen Defekt aufweist und stellen Sie sicher, dass es vor der Anwendung sauber ist. Bei festgestelltem Defekt muss der Luftbefeuchter bei dem Händler oder dessen Kundendienst eingereicht werden.
- Stellen Sie den Luftbefeuchter „Moony“ eine halbe Stunde vor dem Anschalten in dem entsprechenden Raum auf, damit er sich an die Raumtemperatur anpassen kann.
- Die Raumtemperatur sollte immer zwischen 5 °C und 40 °C liegen.
- Das Gerät muss immer auf einer harten, waagerechten, wasserbeständigen Oberfläche aufgestellt werden. Das Gerät darf sich nicht in der Nähe befinden von elektrischen Geräten und Wärmequellen, wie Öfen, Heizkörpern usw. Es sollte auch in leichter Entfernung von den Wänden platziert werden.
- Bitte stellen Sie das Gerät an einem für Kinder unzugänglichen Ort auf.
- Kontrollieren vor dem Befüllen, dass der Nebelleiter im Tank angebracht wurde (siehe Befüllen).
- Zum Entleeren des Wassertanks sicherstellen, dass das Wasser nicht über den Luftauslass eindringt, Abb. 2, Punkt 14).

Tankbefüllung

▲ Kontrollieren vor dem Befüllen, dass der Nebelleiter (Abb. 1, Punkt 9) im Tank angebracht wurde! Hierfür die Verriegelungsmarkierungen aufeinander ausrichten (Abb. 2, Punkt 16) und anschließend den Nebelleiter solange im Uhrzeigersinn drehen, bis er einrastet und Lufteinlass (Abb. 1, Punkt 1) sowie Luftauslass (Abb. 2, Punkt 14) übereinstimmen.

Befüllen Sie den Tank basierend auf Abb. 3:

- Entfernen Sie den Deckel des Wassertanks mithilfe des Griffs (Abb. 3, Punkt 1).
- Befüllen Sie den Tank mit klarem destilliertem oder demineralisiertem Wasser mit einer Höchsttemperatur von 40 °C (Abb. 3, Punkt 2). Für eine optimale Luftbefeuchtung und eine längere Produktlebensdauer bitte darauf achten, dass der Wasserstand zwischen dem auf dem Wassertank angegebenen Mindest- und Höchststand liegt (Abb. 1-2).

- Bringen Sie den Deckel wieder an (Abb. 3, Punkt 3).

▲ ACHTUNG

- NICHT den Tank bis über den Höchstfüllstand befüllen.
- KEIN Wasser in über den Luftauslass einfüllen (Abb. 2, Punkt 14).
- KEINE ätherischen Öle über das Projektionsobjektiv einfüllen (Abb. 2, Punkt 17).

Luftbefeuchtungsfunktion

- Führen Sie mit trockenen Händen den Aufsatz des Adapters in die auf der Rückseite des Luftbefeuchters befindliche DC-Buchse ein (Abb. 1, Punkt 3).
- Die Nebelstärke des Luftbefeuchters kann auf 3 Intensitätsstufen eingestellt werden:
- Betätigen Sie den Schalter zur Luftbefeuchtung (Abb. 1, Punkt 6) einmal: Die Kontrollleuchte wird grün und die Luftbefeuchtung setzt sich auf dem schwächsten Niveau in Gang (120 ml/h);
- Betätigen Sie den Schalter zur Luftbefeuchtung zweimal: Die Kontrollleuchte wird blau und die Luftbefeuchtung setzt sich auf dem mittleren Niveau in Gang (150 ml/h);
- Betätigen Sie den Schalter zur Luftbefeuchtung dreimal: Die Kontrollleuchte wird rot und die Luftbefeuchtung setzt sich auf dem schwächsten Niveau in Gang (180 ml/h);
- Betätigen Sie den Schalter zur Luftbefeuchtung viermal: Die Kontrollleuchte erlischt und der Luftbefeuchter stoppt.

Wenn der Tank leer ist, blinkt die Kontrollleuchte rot (x10) und die Luftbefeuchtung stellt sich automatisch ein. Alle anderen Funktionen bleiben aktiv.

Verwendung von ätherischen Ölen

Zur Verdampfung von ätherischen Ölen im Raum, ein paar Tropfen ätherische Öle mit Bio-Qualität (maximal 3–4) in das Wasser geben und den Wassertank anschließend wieder mit dem Deckel verschließen (Abb. 3, Punkt 3).

▲ WARNUNG

ZUSATZINFORMATIONEN ZUR VERWENDUNG ÄTHERISCHER ÖLE

- Bitte informieren Sie sich vor der Verwendung ätherischer Öle über mögliche Gesundheitsrisiken, die der Einsatz solcher Produkte mit sich bringen kann.

- Es müssen immer qualitativ hochwertige ätherische Öle verwendet werden: rein und 100 % natürlich sowie für die Verdampfung geeignet. Maßvoll und vorsichtig verwenden. Die Angaben und Sicherheitshinweise auf der Verpackung der ätherischen Öle müssen eingehalten werden, wobei insbesondere Folgendes beachtet werden muss:
 - Die Verwendung von ätherischen Ölen ist verboten während Schwangerschaft, für Epileptiker oder Personen mit Asthma oder Allergien sowie für Personen mit Herzbeschwerden oder schwerwiegenden Erkrankungen.
 - Im Zimmer eines Babys bzw. Kleinkinds unter 3 Jahren dürfen ätherische Öle nicht länger als 10 Minuten verdampft werden und ausschließlich, wenn das Baby bzw. Kleinkind sich nicht im Zimmer befindet.
 - Kinder und Minderjährige von dem Gerät fernhalten und darauf achten, dass es nicht zum Spielen missbraucht wird.
 - Für einen einwandfreien Betrieb und eine angenehme Verbreitung des Aromas reicht die Verwendung von ein paar Tropfen (max. 3 bis 4 Tropfen) ätherischem Öl aus. Bei einem übermäßigen Gebrauch ätherischer Öle kann das Gerät beschädigt werden.
 - Lanaform haftet nicht für Schäden, die durch Nichtbeachtung der in dieser Bedienungsanleitung aufgeführten Hinweise entstehen.

Nachtlicht-Funktion

- Betätigen Sie den Nachtlicht-Schalter (Abb. 1, Punkt 12) einmal: Die Kontrollleuchte geht an und der Nachtlichtmodus ist aktiviert;
- Betätigen Sie den Nachtlicht-Schalter zweimal: Die Kontrollleuchte erlischt und der Nachtlichtmodus ist deaktiviert.

Licht-Projektionsfunktion

- Betätigen Sie den Licht-Projektionschalter (Abb. 1, Punkt 5) einmal: Die Kontrollleuchte wird blau und die Lichtprojektionsfunktion wird für eine Dauer von 20 Minuten aktiviert;
- Betätigen Sie den Projektionschalter zweimal: Die Kontrollleuchte wird grün und die Lichtprojektionsfunktion wurde dauerhaft aktiviert;
- Betätigen Sie den Projektionschalter dreimal: Die Kontrollleuchte erlischt und die Leuchtfunktion ist deaktiviert.

▲ ACHTUNG: TROTZ DES SICHERHEITSSYSTEMS, DAS EINE AUTOMATISCHE UNTERBRECHUNG DES TRANSDUKTORS BEWIRKT, SOLLTE DAS GERÄT BEI NICHTGEBRAUCH NICHT AM STROMNETZ ANGESCHLOSSEN BLEIBEN.

PFLEGE UND AUFBEWAHRUNG

Der Luftbefeuchter sollte vor der Reinigung und Aufbewahrung immer vom Stromnetz getrennt und die im Wassertank befindliche Flüssigkeit geleert werden.

Wenn Sie hartes Wasser verwenden, d. h., wenn das Wasser zu viel Calcium und Magnesium beinhaltet, kann es zu einem weißen Belag im Gerät kommen, was zu starken Ablagerungen an der Oberfläche der Schale, auf dem Transduktor (Keramikplättchen, das Ultraschallwellen produziert) und den Innenwänden des Wasserbehälters führen kann. Wenn sich auf der Oberfläche des Transduktors Schaum befindet, kann das Gerät nicht mehr einwandfrei funktionieren.

Wir empfehlen:

- 1 Verwendung von abgekochtem und wieder abgekühltem Wasser oder von destilliertem Wasser bei jedem Gebrauch.
- 2 Reinigung des Wasserbehälters jeden dritten Tag und des Transduktors einmal pro Woche.
- 3 Regelmäßiges Auswechseln des Wassers im Behälter damit es frisch bleibt. Es sollte nicht länger als 2 Tage lang dasselbe Wasser verwendet werden.
- 4 Reinigung des gesamten Geräts und sicherstellen, dass alle Teile absolut trocken sind, wenn das Gerät nicht im Einsatz ist.

Für die Reinigung des Transduktors:

- 1 Den Nebelleiter solange gegen den Uhrzeigersinn drehen (Abb. 1, Punkt 9), bis die Entriegelungskennzeichnungen übereinstimmen und ihn anschließend entfernen
- 2 2 bis 5 Tropfen Essig auf die Oberfläche geben und 2 bis 5 Minuten einwirken lassen.
- 3 Den Belag mithilfe einer weichen Bürste von der Oberfläche entfernen. Die Oberfläche nicht mit einem harten Gegenstand bearbeiten.

- 4 Den Transduktor mit klarem Wasser abspülen.
- 5 Zur Reinigung des Transduktors keine Seife oder andere basische Substanzen verwenden.

Reinigung der Schale:

- 1 Die Schale mit Wasser und einem weichen Tuch reinigen und Essig verwenden, wenn sich Kalkablagerungen oder eine weiße Schicht gebildet haben.
- 2 Wenn sich auf dem Sicherheits-schalter Belag gebildet hat, ein paar Tropfen Essig auftragen und mit der Bürste reinigen.
- 3 Die Schale mit klarem Wasser abspülen.

Verstauen:

- 1 Den Ultraschallwellen-Luftbefeuchter gemäß den Pflegehinweisen sorgfältig reinigen und trocknen.
- 2 Vollständig trocknen lassen und anschließend verstauen. Nicht aufräumen solange sich noch Wasser in der Schale befindet.
- 3 Das Gerät an einem trockenen und kühlen Ort und für Kinder unzugänglich aufbewahren.

FEHLER UND FEHLERBEHEBUNG

Bei Funktionsstörungen unter normalen Gebrauchsbedingungen bitte die unten stehende Tabelle zurate ziehen:

Kein Dampf, keine Kontrollleuchte

- ⊖ Kein Licht
- ⊕ Überprüfen, ob das Gerät mit der Steckdose verbunden ist und ob das Stromnetz nicht gestört ist
- ⊖ Der Wasserstand im Tank ist zu gering
- ⊕ Wasser in den Tank nachfüllen
- ⊖ Der Tank hat ein Leck
- ⊕ Überprüfen, ob der Tank richtig sitzt
- ⊖ Die Gerätetemperatur ist zu niedrig
- ⊕ Das Gerät eine halbe Stunde vor dem Gebrauch an einem Ort mit Raumtemperatur aufstellen

Wasserdampf mit ungewöhnlichem Geruch

- ⊖ Das Wasser stagniert schon seit zu langer Zeit im Behälter
- ⊕ Den Wassertank reinigen und sauberes, frisches, destilliertes oder demineralisiertes Wasser einfüllen

Geringe Dampfintensität

- ⊖ Zu (wenig) Wasser im Tank
- ⊕ Leeren (befüllen) Sie den Wassertank
- ⊖ Ablagerungen auf dem Transduktor
- ⊕ Den Transduktor reinigen
- ⊖ Das Wasser ist zu kalt
- ⊕ Wasser mit Raumtemperatur verwenden
- ⊖ Das Wasser ist nicht sauber
- ⊕ Den Wassertank reinigen und sauberes, frisches, destilliertes oder demineralisiertes Wasser einfüllen

Auf dem Luftbefeuchter oder den Fenstern bildet sich Kondenswasser

- ⊖ Die Verdampfung ist zu intensiv für den Raum bzw. in Anbetracht des bereits vorhandenen Luftfeuchtigkeitsgehalt
- ⊕ Reduzieren Sie die Verdampfungsintensität oder machen Sie den Luftbefeuchter aus.

▲ ACHTUNG

Die weiter oben aufgeführten Fehler sind nur Beispiele. Wenn Sie sich nicht sicher sind, sollten Sie das Gerät nicht selbst reparieren, sondern sich immer an den Händler oder seinen Kundendienst wenden.

TECHNISCHE DATEN

- Modell: LA120122
- Netzspannung: 100–240 V
- Frequenz: 50/60 Hz
- Leistung: 25 W
- Kapazität: 2,5 l

HINWEISE ZUR ENTSORGUNG DER UMVERPACKUNG

Die Umverpackung besteht ausschließlich aus nicht umweltgefährdenden Materialien, die Sie zur Wiederverwertung in der Recyclingstelle Ihrer Gemeinde abgeben können. Der Karton kann in einen Altpapier-Container gegeben werden. Die Verpackungsfolien müssen der Recyclingstelle Ihrer Gemeinde zugeführt werden.

Das Gerät selbst muss ebenfalls unter Rücksichtnahme auf die Umwelt und unter Einhaltung der gesetzlichen Entsorgungsvorschriften entsorgt werden.

BESCHRÄNKTE GARANTIE

LANAFORM garantiert die Freiheit von Material- und Fabrikationsfehlern des Geräts, und

zwar für eine Dauer von zwei Jahren ab Kaufdatum. Dabei gelten folgende Ausnahmen:

Die LANAFORM Garantie deckt keine Beschädigungen aufgrund von normaler Abnutzung dieses Gerätes ab. Darüber hinaus erstreckt sich die Garantie auf das LANAFORM-Gerät nicht auf Schäden, die auf unsachgemäßen oder übermäßigen Gebrauch, Unfälle, die Verwendung nicht vom Hersteller empfohlener Zubehörteile, Umbauten am Gerät oder

auf sonstige Umstände gleich welcher Art zurückzuführen sind, die sich dem Wissen und dem Einfluss von LANAFORM entziehen.

LANAFORM haftet nicht für Begleit-, Folge- und besondere Schäden.

Alle impliziten Garantien in Bezug auf die Eignung des Gerätes sind auf eine Frist von zwei Jahren ab dem anfänglichen Kaufdatum beschränkt, soweit eine Kopie des Kaufnachweises vorgelegt werden kann.

Auf Garantie eingeschickte Geräte werden von LANAFORM nach eigenem Ermessen entweder repariert oder ausgetauscht und an Sie zurückgesendet. Die Garantie gilt nur bei Reparatur im LANAFORM Kundendienstzentrum. Bei Reparatur durch einen anderen Kundendienstanbieter erlischt die Garantie.

POLSKI

📸 Zdjęcia i inne ilustracje produktu zawarte w niniejszym podręczniku oraz na opakowaniu są tak dokładne, jak to możliwe, ale nie można zapewnić ich całkowitej zgodności z produktem.

WSTĘP

Dziękujemy Państwu za zakup nawilżacza powietrza 3 w 1 „Moony” firmy LANAFORM. Dzięki zastosowaniu technologii ultradźwiękowej, urządzenie „Moony” pomaga przywrócić odpowiedni poziom wilgotności w pokoju dziecięcym i wyeliminować dyskomfort związany z suchym powietrzem. Dodatkowo dzięki zastosowaniu funkcji czuwania i podświetlenia barwą zmienną LED, urządzenie pozwoli zamienić pokój dziecięcy w magiczne i kojące miejsce do spania.

ZALECENIA DOTYCZĄCE BEZPIECZEŃSTWA

▲ PRZED PRZYSTĄPIENIEM DO KORZYSTANIA Z NAWILŻACZA NALEŻY PRZECZYTAĆ WSZYSTKIE INSTRUKCJE, ZWŁASZCZA OPISANE PONIŻEJ ZALECENIA DOTYCZĄCE BEZPIECZEŃSTWA :

- Urządzenie może być używane wyłącznie zgodnie z zaleceniami podanymi w niniejszej instrukcji.
- Urządzenie nie jest przewidziane do użytkowania przez osoby (w tym dzieci), których możliwości fizyczne, sensoryczne lub umysłowe są ograniczone, ani przez osoby nieposiadające odpowiedniego doświadczenia lub wiedzy, chyba że korzystają z urządzenia pod opieką osób odpowiedzialnych za ich bezpieczeństwo lub też zostały przez nie poinstruowane, jak używać aparatu. Należy nadzorować dzieci, aby upewnić się, że nie bawią się urządzeniem.

- Należy upewnić się, że napięcie w sieci elektrycznej jest zgodne z napięciem znamionowym urządzenia.
- Nawilżacz „Moony” powinien być zawsze ustawiony na twardej, płaskiej i poziomej powierzchni. Urządzenie należy umieścić w bezpiecznej odległości od ściany i z dala od źródeł ciepła, takich jak piece, grzejniki itp.

Uwaga: Urządzenie może działać nieprawidłowo, jeżeli nie zostanie umieszczone na poziomej powierzchni.

- Urządzenie należy umieścić w miejscu niedostępnym dla dzieci.
- Nie wolno podłączać ani odłączać wtyczki urządzenia mokrymi rękoma.
- Jeżeli przewód zasilający jest uszkodzony, musi zostać wymieniony na podobny przewód dostępny u dostawcy lub w serwisie obsługi posprzedażnej.
- Nie wolno pozostawiać urządzenia w miejscu narażonym na bezpośrednie działanie promieni słonecznych.
- Zbiornik należy napełniać wyłącznie czystą i świeżą wodą, destylowaną lub demineralizowaną.
- Urządzenia ani jego podstawy nie wolno demontować.
- Nie należy włączać urządzenia, jeśli w zbiorniku nie ma wody.
- Nie potrząsać urządzeniem. Może to spowodować wylanie się wody do podstawy, co może mieć wpływ na działanie urządzenia.
- Nigdy nie należy dotykać wody ani części urządzenia podczas jego pracy.
- Jeżeli podczas użytkowania urządzenia w sposób opisany w niniejszej instrukcji czuć dziwny zapach, należy wyłączyć urządzenie, odłączyć je od sieci elektrycznej i oddać do kontroli dostawcy lub do serwisu obsługi posprzedażnej.
- Nie należy wlewać do zbiornika ciepłej wody, której temperatura jest wyższa niż 40°C.

- Przed czyszczeniem urządzenia lub wymowaniem zbiornika należy odłączyć urządzenie od sieci elektrycznej.
- Nie wolno myć ani zanurzać urządzenia w wodzie. Należy postępować zgodnie z zaleceniami podanymi w niniejszej instrukcji.
- Nie należy skrobać przetwornika za pomocą twardych narzędzi. Należy regularnie czyścić nawilżacz „Moony”. W tym celu należy postępować zgodnie z zaleceniami dotyczącymi czyszczenia podanymi w niniejszej instrukcji.
- Jeżeli urządzenie wpadnie do wody, należy je natychmiast odłączyć od sieci elektrycznej.
- Włączonych urządzeń elektrycznych nie wolno pozostawiać bez nadzoru. Jeśli urządzenie nie jest używane, należy odłączyć zasilanie.
- Przewód elektryczny należy trzymać z dala od gorących powierzchni.
- Nie wolno korzystać z urządzenia w pomieszczeniach, w których są używane aerozole (w sprayu) lub w których podawany jest tlen.
- Na urządzeniu nie wolno kłaść odzieży ani ręczników. Jeżeli dysza jest zatkana, urządzenie może działać nieprawidłowo.
- Podczas przenoszenia urządzenia należy podnosić je trzymając za podstawę, a nie za zbiornik wody.
- Nie należy używać nawilżacza, jeżeli powietrze w pomieszczeniu jest już dostatecznie nawilżone (wilgotność względna 50% lub wyższa). Poziom wilgotności względnej komfortowy dla człowieka wynosi od 45% do 55%. Nadmierna wilgotność powoduje skraplanie się wody na chłodnych powierzchniach i na zimnych ścianach pomieszczeń. Aby prawidłowo określić poziom wilgotności w pomieszczeniu, należy użyć wilgotnościomierza (higrometru), który można nabyć w większości sklepów specjalistycznych i w supermarketach.
- Temperatura w pomieszczeniu powinna zawsze wynosić między 5°C a 40°C.

- Nawilżacz „Moony” przeznaczony jest wyłącznie do użytku domowego.
- Do nawilżacza należy stosować wyłącznie olejki eteryczne BIO. W tym celu należy zapoznać się z instrukcjami zawartymi w rozdziale poświęconym olejom eterycznym.
- Urządzenie przeznaczone jest wyłącznie do stosowania w warunkach domowych.
- Nie należy wkładać żadnych przedmiotów w otwory urządzenia.

CZĘŚCI SKŁADOWE URZĄDZENIA

- 1 Wlot powietrza
- 2 Soczewka lampki
- 3 Wejście DC-jack
- 4 Bagnet pomiarowy wody w zbiorniku
- 5 Przycisk dotykowy podświetlania
- 6 Przycisk dotykowy nawilżania
- 7 Uchwyt
- 8 Pokrywa zbiornika
- 9 Podgrzewanie mgiełki
- 10 Wlot wody
- 11 Zbiornik
- 12 Przycisk dotykowy trybu czuwania
- 13 Podstawa
- 14 Wylot powietrza
- 15 Przetwornik
- 16 Oznakowanie blokady
- 17 Soczewka projekcyjna

INSTRUKCJE UŻYTKOWANIA

Wstępne zalecenia

- Wyjąć nawilżacz z opakowania podnosząc go od podstawy. Nie podnosić za uchwyt.
- Przed przystąpieniem do korzystania z urządzenia należy upewnić się, czy urządzenie nie zawiera żadnych usterek i jest czyste. W przypadku stwierdzenia uszkodzenia nawilżacz należy przekazać dostawcy lub do serwisu obsługi posprzedażnej.
- Umieścić nawilżacz „Moony” w pomieszczeniu co najmniej pół godziny przed włączeniem celem dostosowania urządzenia do temperatury otoczenia.
- Temperatura w pomieszczeniu powinna zawsze wynosić między 5°C a 40°C.
- Należy zwrócić uwagę, aby urządzenie było zawsze umieszczone na twardej, poziomej i wodoszczelnej powierzchni. Nawilżacz należy odsunąć od wszelkich urządzeń elektrycznych lub źródeł ciepła takich jak patelnie, grzejniki itd. Powinien on być również lekko odsunięty od ściany.
- Urządzenie należy umieścić w miejscu niedostępnym dla dzieci.

- Przed napełnieniem należy się upewnić czy przewód pary jest umieszczony w zbiorniku (patrz Napełnianie).
- Przed opróżnieniem zbiornika należy się upewnić, czy woda nie wraca do komina przez wylot powietrza (Rys. 2, punkt 14).

Napełnianie

▲ Przed napełnieniem należy się upewnić czy przewód pary (rys. 1, punkt 9) jest umieszczony w zbiorniku! W tym celu należy wyrównać oznakowania blokady (Rys. 2, punkt 16), następnie przekręcić przewód pary zgodnie z kierunkiem ruchu wskazówek zegara, aż do jego zablokowania przez łapki blokady i do momentu, kiedy wlot powietrza (Rys. 1, punkt 1) oraz wylot powietrza (Rys. 2, punkt 14) będą się ze sobą pokrywały.

Napełnić zbiornik w oparciu o instrukcje zawarte w Rys. 3:

- Zdjąć pokrywę zbiornika przy użyciu uchwytu (Rys. 3, punkt 1).
- Napełnić zbiornik czystą wodą destylowaną lub demineralizowaną, o temperaturze maksymalnej 40°C (Rys. 3, punkt 2). Dla zapewnienia optymalnego nawilżania oraz dłuższego okresu użytkowania produktu, zadbaj o to, aby poziom wody był utrzymany między poziomem minimalnym i maksymalnym. Poziomy te są wskazane na zbiorniku (Rys. 1-2).
- Ponownie umieścić pokrywę (Rys. Punkt 3).

▲ UWAGA

- NIE napełniać zbiornika ponad wskaźnik poziomu MAX>
- NIE wlewać wody od strony podstawy przez wlot powietrza (Rys. 2, punkt 14).
- NIE wlewać olejków eterycznych do soczewki projekcyjnej (Rys. 2, punkt 17).

Funkcja zwilżania powietrza

- Suchymi dłońmi wsunąć końcówkę adaptera w wejście DC-jack znajdujące się z tyłu nawilżacza (Rys. 1, punkt 3).
- Nawilżacz wyposażony jest w 3 stopniową funkcję parowania:
 - Nacisnąć raz przycisk nawilżania (Rys. 1, punkt 6): kontrolka świeci się na zielono i nawilżanie jest aktywne przy najniższej intensywności (120 ml/h);
 - Nacisnąć dwukrotnie przycisk nawilżania: kontrolka świeci się na niebiesko i nawilżanie jest aktywne przy średniej intensywności (150 ml/h);

- Nacisnąć trzykrotnie przycisk nawilżania: kontrolka świeci się na czerwono i nawilżanie jest aktywne przy wysokiej intensywności (180 ml/h);
- Nacisnąć czterokrotnie przycisk nawilżania: kontrolka przestaje świecić i nawilżanie zostaje wyłączone.

W przypadku, gdy zbiornik jest pusty, kontrolka miga na czerwono (x10) i nawilżanie wyłącza się automatycznie. Pozostałe funkcje są aktywne.

Wykorzystanie olejków eterycznych

W celu uwolnienia zapachów z biologicznych olejków eterycznych w pomieszczeniu, włącz kilka kropli olejków (maksymalnie od 3 do 4) bezpośrednio do wody i następnie należy pokrywać zbiornika (Rys. 3, punkt 3).

▲ OSTRZEŻENIE

INFORMACJE DODATKOWE DOTYCZĄCE STOSOWANIA OLEJKÓW ETERYCZNYCH

- Przed użyciem olejków eterycznych, należy zapoznać się z informacjami dotyczącymi szkodliwych dla zdrowia efektów ubocznych wynikających ze stosowania takich produktów.
- Należy zawsze wybierać olejki eteryczne dobrej jakości: czyste i w 100% naturalne oraz przeznaczone do dyfuzora. Olejki należy stosować z umiarem i ostrożnie. Przestrzegać zaleceń i ostrzeżeń podanych na opakowaniach olejków eterycznych. W szczególności należy przestrzegać poniższych zasad:
 - Nie wolno stosować olejków eterycznych w przypadku kobiet w ciąży lub karmiących, osób z padaczką, osób cierpiących na astmę lub alergię, osób z problemami z sercem czy cierpiących na poważne choroby.
 - W pokojach małych dzieci (w wieku poniżej 3 lat) można stosować olejki eteryczne najwyżej przez 10 minut i tylko wtedy, gdy dziecko nie przebywa w pokoju.
 - Należy dopilnować, aby dzieci i osoby małoletnie nie bawiły się urządzeniem i go nie używały.
 - Wystarczy tylko kilka kropli olejków eterycznych (najwyżej 3 do 4), aby zapewnić prawidłowe działanie urządzenia i rozpylanie substancji zapachowych. Nadmierna ilość olejków eterycznych może doprowadzić do uszkodzenia urządzenia.
 - Firma Lanaforma nie odpowiada za jakiegokolwiek uszkodzenia wynikające z nie-

stosowania się do zaleceń podanych w niniejszej instrukcji.

Funkcja czuwania

- Nacisnąć raz przycisk czuwania (Rys. 1, punkt 12): kontrolka zaczyna świecić i tryb czuwania zostaje aktywowany;
- Nacisnąć dwukrotnie przycisk czuwania: kontrolka przestaje świecić i tryb czuwania zostaje wyłączony.

Funkcja podświetlania

- Nacisnąć raz przycisk podświetlania (Rys. 1, punkt 5): kontrolka zaczyna świecić się na niebiesko i podświetlanie zostaje aktywowane na czas 20 minut;
- Nacisnąć dwukrotnie przycisk podświetlania: kontrolka świeci się na zielono i podświetlanie jest aktywowane w sposób ciągły;
- Nacisnąć trzykrotnie przycisk podświetlania: kontrolka przestaje świecić i podświetlanie zostaje wyłączone.

▲ UWAGA: MIMO PRZERWANIA PRACY PRZETWORNIKA PRZY ŻYCIU BEZPIECZNIKA, NIE NALEŻY POZOSTAWIAĆ WŁĄCZONEGO URZĄDZENIA, JEŚLI NIE JEST ONO UŻYWANE.

KONSERWACJA I PRZECHOWYWANIE

Należy zawsze odłączyć nawilżacz od zasilania i opróżnić zbiornik z wody w przypadku czyszczenia lub przechowywania urządzenia.

Jeśli woda jest twarda, to znaczy, jeżeli zawiera ona zbyt dużo wapnia i magnezu, może powodować odkładanie się „białego proszku” w urządzeniu i powstawanie gęstej piany na powierzchni zbiornika, na przetworniku (ceramiczna płytka wytwarzająca ultradźwięki) oraz na wewnętrznych ścianach zbiornika z wodą. Piana znajdująca się na powierzchni przetwornika uniemożliwia prawidłowe działanie urządzenia.

Zaleca się:

- 1 Korzystanie z przegotowanej lub schłodzonej bądź też destylowanej wody przy każdym użyciu.
- 2 Czyszczenie zbiornika co 3 dni oraz przetwornika raz w tygodniu.
- 3 Regularną wymianę wody w zbiorniku tak, aby była ona świeża i nie stała dłużej niż 2 dni.

- 4 Czyszczenie urządzenia i upewnianie się, że wszystkie części są idealnie suche, gdy urządzenie nie jest używane.

Czyszczenie przetwornika:

- 1 Obrócić przewód pary (Rys. 1, punkt 9) w kierunku przeciwnym do ruchu wskazówek zegara aż do wyrównania oznakowania odblokowania a następnie wyjąć przewód.
- 2 Nalać od 2 do 5 kropli octu na powierzchnię przetwornika i odczekać od 2 do 5 minut.
- 3 Zetrzeć osad z powierzchni za pomocą miękkiej szczoteczki. Do zeskrobywania powierzchni nie wolno stosować twardych narzędzi.
- 4 Przepłukać przetwornik czystą wodą.
- 5 Do czyszczenia przetwornika nie należy używać mydła ani substancji zasadowych.

Czyszczenie zbiornika:

- 1 Wyczyścić zbiornik wody miękką ściereczką. Jeżeli we wnętrzu znajduje się osad lub kamień, użyć octu.
- 2 Jeśli osad występuje na wyłączniku bezpieczeństwa, nalać na niego kilka kropli octu i oczyścić go szczotką.
- 3 Przepłukać zbiornik czystą wodą.

Przechowywanie:

- 1 Starannie oczyścić i osuszyć nawilżacz ultradźwiękowy, postępując zgodnie z instrukcjami dotyczącymi konserwacji.
- 2 Przed schowaniem, pozostawić go do całkowitego wyschnięcia. Nie przechowywać go pozostawiając wodę w podstawie.
- 3 Przechowywać urządzenie w suchym i wietrzonym miejscu, niedostępnym dla dzieci.

ROZWIĄZYWANIE PROBLEMÓW

W przypadku nieprawidłowego działania w normalnych warunkach użytkowania należy skorzystać z rad zamieszczonych w poniższej tabeli:

Brak mgiełki, lampka kontrolna nie świeci się.

- ⊕ Lampka kontrolna nie świeci się.
- ⊖ Sprawdzić, czy urządzenie jest podłączone i czy zasilanie elektryczne nie jest uszkodzone.
- ⊕ Poziom wody w zbiorniku jest zbyt niski.
- ⊖ Dolać wody do zbiornika.
- ⊕ Woda wycieka ze zbiornika.
- ⊖ Sprawdzić, czy zbiornik jest właściwie umieszczony.
- ⊕ Temperatura w urządzeniu jest zbyt niska.
- ⊖ Pozostawić urządzenie w temperaturze otoczenia na pół godziny przed rozpoczęciem użytkowania.

Mgiełka ma dziwny zapach.

- ⊕ Woda zbyt długo znajdowała się w zbiorniku.
- ⊖ Oczyścić zbiornik i napełnić go czystą i świeżą wodą, destylowaną lub demineralizowaną.

Niski poziom wytwarzania mgiełki.

- ⊕ Za mało lub zbyt dużo wody w zbiorniku.
- ⊖ Wylać wodę ze zbiornika (lub dolać wody).
- ⊕ Osady na przetworniku.
- ⊖ Wyczyścić przetwornik.
- ⊕ Woda jest zbyt zimna.
- ⊖ Stosować wodę o temperaturze pokojowej.
- ⊕ Woda nie jest czysta.
- ⊖ Oczyścić zbiornik i napełnić go czystą i świeżą wodą, destylowaną lub demineralizowaną.

Krople wody tworzą się na nawilżaczu lub na oknach.

- ⊕ Intensywność wytwarzania mgiełki jest zbyt wysoka w stosunku do rozmiaru pomieszczenia lub biorąc pod uwagę wcześniejszy poziom wilgotności.
- ⊖ Zmniejszyć intensywność wytwarzania mgiełki lub wyłączyć nawilżacz.

▲ UWAGA

Usterki wymienione powyżej są podane w celach informacyjnych. W razie wątpliwości nie należy samodzielnie naprawiać urządzenia. Prosimy skontaktować się z dostawcą lub jego serwisem posprzedażnym.

DANE TECHNICZNE

- Model: LA120122
- Napiecie: 100-240 V~
- Czesotlivosc: 50/60 Hz
- Moc: 25 W
- Pojemnos: 2,5 L

WSKAZÓWKI DOTYCZĄCE ELIMINACJI ODPADÓW

Opakowanie w całości składa się z materiałów niestwarażących zagrożenia dla środowiska, które mogą zostać przekazane do lokalnego punktu sortowania odpadów, aby podać je recyklingowi. Karton można wrzucić do pojemnika przeznaczonego na papier. Folie od opakowania powinny zostać przekazane do lokalnego punktu sortowania odpadów.

Jeśli urządzenie nie będzie już więcej używane, należy pozbyć się go z poszanowaniem

środowiska i w sposób zgodny z lokalnymi regulacjami prawnymi.

GWARANCJA OGRANICZONA

LANAFORM gwarantuje, że niniejszy produkt jest wolny od wad materiałowych i fabrycznych przez okres dwóch lat licząc od daty zakupu, za wyjątkiem przypadków określonych poniżej.

Gwarancja LANAFORM nie obejmuje uszkodzeń spowodowanych normalnym zużyciem produktu. Ponadto, gwarancja udzielana w odniesieniu do tego produktu LANAFORM nie obejmuje szkód spowodowanych nadmiernym, nieprawidłowym lub w inny sposób niedozwolonym użytkowaniem produktu, jak również wypadkiem, użyciem niedozwolonych akcesoriów, przeprowadzeniem przeróbek oraz wszelkimi innymi okoliczno-

ściami pozostającymi poza kontrolą firmy LANAFORM.

LANAFORM nie ponosi żadnej odpowiedzialności za tego rodzaju szkody dodatkowe, przyczynowe lub specjalne.

Wszelkie gwarancje dotyczące parametrów produktu obowiązują jedynie w okresie dwóch lat licząc od daty początkowego zakupu, pod warunkiem przedstawienia dowodu zakupu.

Po odesłaniu produktu, LANAFORM przeprowadzi jego naprawę lub wymianę na nowy, w zależności od okoliczności. Gwarancja może zostać zrealizowana jedynie przez Centrum Serwisowe LANAFORM. W przypadku przeprowadzenia jakichkolwiek czynności dotyczących utrzymania niniejszego produktu przez osoby inne, niż Centrum Serwisowe LANAFORM powoduje unieważnienie niniejszej gwarancji.

ČESKÝ

- Fotografie a jiné obrázky produktu v tomto návodu nebo na obalu představují co možná nejvěrnější znázornění výrobku, nelze však zaručit, že výrobku dokonale odpovídají.

ÚVOD

Děkujeme, že jste si zakoupili zvlhčovač 3 V 1 „Moony“ značky LANAFORM. „Moony“ vám díky své ultrazvukové technologii pomůže obnovit v pokoji vašeho dítěte správnou vlhkost a odstranit nepříjemnosti spojené se suchým vzduchem. Navíc funguje jako noční lampička a díky LED světlu promítá na strop hvězdičky v měnicích se barvách a dokáže tak přeměnit pokoj vašeho dítěte v kouzelné a klidné místo, kde mu bude dobře spát.

BEZPEČNOSTNÍ POKYNY

▲ NEŽ ZAČNETE ZVLHČOVAČ VZDUCHU POUŽÍVAT, PŘEČTĚTE SI VŠECHNY POKYNY, ZJMĚNĚNÁ NÁSLEDUJÍCÍ ZÁKLADNÍ BEZPEČNOSTNÍ UPOZORNĚNÍ:

- Používejte tento výrobek výhradně v souladu s návodem k použití popsaným v této příručce.
- Výrobek není určen k použití osobami se sníženými tělesnými, smyslovými či duševními schopnostmi (včetně dětí) ani osobami s nedostatkem znalostí či zkušeností, pokud na tyto osoby nedohlží osoba odpovědná za jejich bezpečí nebo pokud jim tato osoba předem nesdělí

pokyny týkající se použití tohoto výrobku. Je třeba zajistit, aby si s výrobkem nehrály děti.

- Ověřte, zda napětí ve vaší elektrické síti odpovídá údajům o napětí přístroje.
- Zvlhčovač „Moony“ vždy pokládejte na rovný, tvrdý a vodorovný povrch. Neumisťujte jej těsně ke stěně a chraňte jej před zdroji tepla, jako jsou kamna, radiátory atd. Upozornění: Pokud přístroj neumístíte na vodorovnou plochu, může se stát, že nebude správně fungovat.
- Přístroj nenechávejte na místě, kam by na nemohly děti dosáhnout.
- Nezapojujte ani neodpojujte elektrickou zástrčku přístroje mokřými rukama.
- V případě poškození napájecího kabelu je nutné jej nahradit obdobným kabelem, který získáte od dodavatele nebo v jeho servisním středisku.
- Nevystavujte přístroj přímému slunečnímu záření.
- Do nádržky lijte destilovanou nebo demineralizovanou čistou čerstvou vodu.
- Přístroj ani jeho základnu nerozebírejte.
- Není-li v nádržce voda, přístroj nezapínejte.
- Netěste přístrojem. Hrozí vytlíčení vody do základny a poškození přístroje.
- Je-li přístroj zapnutý, nikdy se nedotýkejte vody ani vnitřních součástí.
- Jestliže začne přístroj při použití popsaném v této příručce vydávat netypický zápach, vypněte jej, odpojte jej a nechte jej zkontrolovat dodavatelem nebo jeho servisním střediskem.

- Nelijte do nádržky teplou vodu, tedy vodu o teplotě vyšší než 40 °C.
- Před čištěním nebo vyjmutím nádržky přístroj odpojte od elektrické sítě.
- Neomyvejte celý přístroj vodou a neponořujte jej do vody. Prostudujte si pokyny pro čištění uvedené v této příručce.
- Měnící přístroje nikdy neoškrabávejte tvrdými nástroji. Zvlhčovač vzduchu „Moony“ je třeba pravidelně čistit. Prostudujte si pokyny pro čištění přístroje v této příručce a dodržujte je.
- Pokud vám přístroj spadne do vody, okamžitě jej odpojte od elektrické sítě a teprve poté jej vytáhněte.
- Žádný elektrický přístroj nesmí zůstat zapojený bez dozoru. Pokud přístroj nepoužíváte, odpojte jej.
- Napájecí kabel chraňte před horkými povrchy.
- Přístroj nikdy nepoužívejte na místech, kde se používají aerosolové přípravky (spreje), ani v místnostech, do kterých je přiváděn kyslík.
- Nezakrývejte přístroj oděvy ani jinými látkami. Zakrytí trysky může způsobit poruchu přístroje.
- Při přenášení přístroje zvedejte za základnu, nikoli za nádržku na vodu.
- Je-li vzduch v místnosti již dostatečně vlhký (relativní vlhkost přes 50 %), zvlhčovač nepoužívejte. Ideální relativní vlhkost vzduchu, kterou lidské tělo pociťuje jako nejpříjemnější, se pohybuje od 45 % do 55 %. Nadměrná vlhkost se projevuje kondenzací na studených površích nebo stěnách místnosti. K přesnému zjištění relativní

vlhkosti vzduchu v místnosti použijte vlhkoměr, který lze zakoupit ve většině specializovaných prodejen i obchodních domů.

- Teplota v místnosti musí být mezi 5 a 40 °C.
- Zvlhčovač vzduchu „Moony“ je určen výhradně pro domácí použití v interiéru.
- Se zvlhčovačem používejte pouze BIO esenciální oleje. Podrobnosti naleznete v kapitole o používání esenciálních olejů.
- Tento přístroj je určen výhradně pro domácí použití.
- Do otvorů přístroje nevkládejte žádné předměty.

SOUČÁSTI PŘÍSTROJE

- 1 Vstup vzduchu
- 2 Čočka lampičky
- 3 Vstup DC-jack
- 4 Měrka nádoby na vodu.
- 5 Tlačítko promítání
- 6 Tlačítko zvlhčování
- 7 Rukojeť
- 8 Víčko nádrže
- 9 Vedení páry
- 10 Vstup vody
- 11 Nádržka
- 12 Vypínač lampičky
- 13 Základna
- 14 Výstup vzduchu
- 15 Měníč
- 16 Označení uzamčení
- 17 Čočka promítání

POKYNY K POUŽITÍ

Úvodní pokyny

- Uchopte zvlhčovač za základnu, a ne za rukojeť, a vyjměte z obalu.
- Než přístroj začnete používat, ujistěte se, že nevykazuje žádnou závadu a je čistý. Pokud ano, vraťte přístroj svému dodavateli či jeho servisnímu středisku
- Zvlhčovač vzduchu „Moony“ postavte do místnosti půl hodiny předtím, než jej zapnete, aby se přizpůsobil okolní teplotě.
- Teplota v místnosti musí být mezi 5 a 40 °C.
- Dbejte na to, aby byl přístroj vždy položen na tvrdém vodorovném povrchu odolném proti vodě. Nenechávejte ho poblíž jakéhokoliv elektrického přístroje a zdroje tepla, jako jsou kamna, radiátory atd. Nenechávejte ho stát přímo u zdi.
- Přístroj nenechávejte na místě, kam by na nemohly děti dosáhnout.
- Před naplněním zkontrolujte, že je vedení páry umístěno v nádrže (viz Plnění).
- Při vyprazdňování nádržky zkontrolujte, že se voda nedostává výstupem vzduchu do výstupu páry (obr. 2, bod 14).

Plnění

▲ Před naplněním zkontrolujte, že je vedení páry (obr. 1, bod 9) umístěno v nádrže! Srovnejte proto značkyablokování (obr. 2, bod 16), poté otáčejte vedením páry ve směru hodinových ručiček, dokud neníablokovan svorkami a vstup (obr. 1, bod 1) a výstup vzduchu (obr. 2, bod 14) nelicují.

Naplňte nádržku podle obr. 3:

- Uchopte rukojeť víčka a sejměte ho (obr. 3, bod 1).
- Naplňte nádržku čistou destilovanou nebo demineralizovanou vodou o teplotě maximálně 40 °C (obr. 3, bod 2). Pro lepší ovláždování a delší životnost produktu dbejte, aby úroveň vody v nádrži zůstala mezi vyznačeným minimem a maximem (obr. 1-2).
- Vraťte víčko zpět (obr. 3, bod 3).

▲ UPOZORNĚNÍ

- NENAPLŇUJTE nádržku nad rysku MAX.
- NENALÉVEJTE vodu do základny přes výstup vzduchu (obr. 2, bod 14).
- NENALÉVEJTE esenciální oleje na čočku promítání (obr. 2, bod 17).

Funkce zvlhčovače vzduchu

- Suchýma rukama vsuňte nástavec adaptéru do vstupu DC-jack v zadní části zvlhčovače (obr. 1, bod 3).
- Zvlhčovač nabízí 3 intenzity páry:
 - Stiskněte jednou tlačítko zvlhčovače (obr. 1, bod 6): kontrolka se rozsvítí zeleně a zvlhčovač je spuštěn na nejslabší intenzitu (120 ml/hod.);
 - Stiskněte dvakrát tlačítko zvlhčovače: kontrolka se rozsvítí modře a zvlhčovač je spuštěn na střední intenzitu (150 ml/hod.);
 - Stiskněte třikrát tlačítko zvlhčovače: kontrolka se rozsvítí červeně a zvlhčovač je spuštěn na nejvyšší intenzitu (180 ml/hod.);
 - Stiskněte čtyřikrát tlačítko zvlhčovače: kontrolka zhasne a zvlhčovač se vypne. Když je nádržka prázdná, kontrolka se červeně rozblíká (x10) zvlhčovač se automaticky vypne. Ostatní funkce zůstávají aktivní.

Používání esenciálních olejů

Pro rozptýlení biologických esenciálních olejů v místnosti nakapejte několik kapek biologických esenciálních olejů (maximálně 3-4) přímo do vody a poté vraťte na místo víko nádrže (obr. 3, bod 3).

▲ VAROVÁNÍ

DOPLŇUJÍCÍ INFORMACE O POUŽITÍ ESENCIÁLNÍCH OLEJŮ

- Než začnete používat esenciální oleje, informujte se o negativních vlivech na zdraví, které může použití těchto látek vyvolávat.
- Vybírejte si vždy jen kvalitní esenciální oleje: čisté, 100% přírodní a určené k difuzi. Používejte je střídavě a opatrně. Dodržujte pokyny a upozornění uvedené na balení esenciálních olejů, přičemž dbejte především na následující:
 - Použití esenciálních olejů je zakázáno u těhotných a kojících žen, osob trpících epilepsií, astmatem nebo alergiemi, u osob s chorobami srdce a osob ve vážném zdravotním stavu.
 - V místnostech, kde se pohybují malé děti (mladší 3 let), je povoleno esenciální oleje používat po dobu maximálně 10 minut, a to výhradně v době, kdy děti nejsou v dané místnosti přítomny.
- Dbejte na to, aby si s přístrojem nehrály a nepoužívaly jej děti a mladiství.
- K zajištění dobrého fungování přístroje a šíření vůně postačí několik kapek esenciálního oleje (maximálně 3 až 4 kapky). Používáním nadměrného množství esenciálních olejů se může přístroj poškodit.
- Společnost Lanaform nenese odpovědnost za poškození přístroje způsobené nevhodným použitím, které neodpovídá pokynům uvedeným v této příručce.

Funkce lampičky

- Stiskněte jednou tlačítko lampičky (obr. 1, bod 12): kontrolka se rozsvítí a aktivuje se režim lampičky;
- Stiskněte dvakrát tlačítko lampičky: kontrolka zhasne a režim lampičky se vypne.

Funkce světelného promítání

- Stiskněte jednou tlačítko promítání (obr. 1, bod 5): kontrolka se rozsvítí modře a světelné promítání se spustí na dobu 20 minut;
- Stiskněte dvakrát tlačítko promítání: kontrolka se rozsvítí zeleně a světelné promítání se spustí trvale.
- Stiskněte třikrát tlačítko promítání: kontrolka zhasne a světelné promítání se vypne.

▲ UPOZORNĚNÍ: I KDYŽ JE PŘÍSTROJ VYBAVEN BEZPEČNOSTNÍM PRVKEM, KTERÝ VYPÍNÁ PROVOZ MĚNIČE, NENECHÁVEJTE PŘÍSTROJ ZAPOJENÝ DO ZÁSUVKY V DOBĚ, KDY JEJ NEPOUŽÍVÁTE.

ÚDRŽBA A SKLADOVÁNÍ

Před čištěním nebo ukládáním zvlhčovač vždy vypněte a vylijte vodu z nádržky.

Je-li voda tvrdá, tedy obsahuje příliš vápníku a hořčíku, může se v přístroji usazovat „bílý prášek“ a na hladině v nádržce, na měniči (keramické kolečko vytvářející ultrazvuk) a na vnitřních stěnách nádržky se může vytvářet hustá pěna. Pokud se na povrchu měniče vytvoří pěna, nemůže přístroj správně fungovat.

Doporučujeme:

- 1 V přístroji vždy používejte jen převařenou a vychlazenou nebo destilovanou vodu.
- 2 Nádržku čistěte každé 3 dny a měnič každý týden.
- 3 Vodu pravidelně vyměňujte, aby byla čerstvá, nenechávejte ji v přístroji déle než 2 dny.
- 4 Přístroj čistěte a všechny součásti nepoužívaného přístroje nechte dokonale uschnout.

Čištění měniče:

- 1 Otáčejte vodičem páry (obr. 1, bod 9) proti směru hodinových ručiček, dokud nejsou značky odblokované zarovnané, a poté vodič páry vytáhněte.
- 2 Na povrch měniče kápněte 2 až 5 kapek octa a 2 až 5 minut počkejte.
- 3 Usazeniny z povrchu očistěte jemným kartáčkem. Neoškrabávejte povrch tvrdými nástroji.
- 4 Propláchněte měnič čistou vodou.
- 5 Nečistěte měnič mýdlem nebo jinými zásaditými činidly.

Čištění jednotky nádrže:

- 1 Očistěte nádržku vodou a měkkým hadříkem, případně octem, pokud se uvnitř vytvořila pěna NEBO vodní kámen.
- 2 Pokud je pěna na bezpečnostním spínači, kápněte na něj několik kapek octa a očistěte jej kartáčkem.
- 3 Propláchněte nádržku čistou vodou.

Skladování:

- 1 Ultrazvukový zvlhčovač vyčistěte a pečlivě osušte, při čištění postupujte podle pokynů pro provádění údržby.
- 2 Než přístroj uložíte, nejprve ho pečlivě osušte. Přístroj neschovávejte, je-li v základně voda.
- 3 Přístroj uchovávejte na suchém a chladném místě mimo dosah dětí.

PORUCHY A JEJICH ŘEŠENÍ

V případě poruchy za normálních provozních podmínek využijte informace v následující tabulce:

Nevychází pára, nesvíti kontrolka.

- ⊖ Nesvíti světlo.
- ⊖ Zkontrolujte, zda je přístroj zapojen do zásuvky a zda nedošlo k výpadku elektrické sítě.
- ⊖ Příliš málo vody v nádržce.
- ⊖ Dolijte do nádržky vodu.
- ⊖ Z nádržky uniká voda.
- ⊖ Zkontrolujte, zda je nádržka správně nasazena.
- ⊖ Jednotka je příliš studená.
- ⊖ Půl hodiny před použitím ponechte jednotku v místnosti s pokojovou teplotou.

Netypický zápach páry.

- ⊖ V nádržce příliš dlouhou dobu stojí voda.
- ⊖ Do nádržky lijte destilovanou nebo demineralizovanou čistou čerstvou vodu.

Nízká intenzita páry.

- ⊖ V nádržce je příliš mnoho (příliš málo) vody.
- ⊖ Vylijte z nádržky vodu (dolijte do nádržky vodu).
- ⊖ Vodní kámen v měniči.
- ⊖ Měnič očistěte.
- ⊖ Voda je příliš studená.
- ⊖ Použijte vodu o pokojové teplotě.
- ⊖ Voda není čistá.
- ⊖ Do nádržky lijte destilovanou nebo demineralizovanou čistou čerstvou vodu.

Na zvlhčovači nebo na oknech se sráží voda.

- ⊖ Intenzita páry je příliš velká pro velikost místnosti nebo s ohledem na předcházející vlhkost.
- ⊖ Snižte intenzitu páry nebo zvlhčovač vypněte.

▲ UPOZORNĚNÍ

Seznam vyjmenovaných poruch je pouze informativní. V případě pochybností nezkoušejte přístroj opravovat sami, ale obraťte se na dodavatele nebo jeho servis.

TECHNICKÉ ÚDAJE

- Model: LA120122
- Napětí: 100–240V
- Frekvence: 50/60 Hz
- Příkon: 25 W
- Kapacita: 2.5L

RADY Z OBLASTI LIKVIDACE ODPADŮ

Celé balení je tvořeno materiály bez bezpečnostních dopadů na životní prostředí, které tedy lze ukládat ve střediscích pro třídění odpadu za účelem následného druhotného využití. Papírový obal lze vyhodit do kontejnerů k tomu určených. Ostatní obalové materiály musí být předány do recyklačního střediska.

V případě nezájmu o další používání tohoto zařízení je zlikvidujte způsobem ohleduplným k životnímu prostředí a v souladu s platnou právní úpravou.

OMEZENÁ ZÁRUKA

Společnost LANAFORM se zaručuje, že tento výrobek je bez jakékoliv vady materiálu či zpracování, a to od data prodeje po dobu dvou let, s výjimkou níže uvedených specifikací.

Záruka společnosti LANAFORM se nevztahuje na škody způsobené běžným používáním tohoto výrobku. Mimo jiné se záruka v rámci tohoto výroku společnosti LANAFORM nevztahuje na škody způsobené chybným nebo nevhodným používáním či jakýmkoliv špatným užíváním, nehodou, připojením nedovolených doplňků, změnou provedenou na výrobku či jiným zásahem jakékoliv povahy, na který nemá společnost LANAFORM vliv.

Společnost LANAFORM nenese odpovědnost za jakoukoliv škodu na doplňcích, ani za následné či speciální škody.

Veškeré záruky vztahující se na způsobilost výrobku jsou omezeny na období dvou let od prvního zakoupení pod podmínkou, že při reklamaci musí být předložen doklad o zakoupení tohoto zboží.

Po přijetí zboží k reklamaci, společnost LANAFORM v závislosti na situaci toto zařízení opraví či nahradí a následně vám ho odešle zpět. Záruku lze uplatňovat výhradně prostřednictvím Servisního střediska společ-

nosti LANAFORM. Jakákoliv údržba tohoto zařízení, která by byla svěřena jiné osobě než pracovníkům Servisního střediska společnosti LANAFORM, ruší platnost záruky.

SLOVENSKI

☑ Fotografije in druge predstavitve izdelka v tem priročniku ter na embalaži so kar najtočneje, vendar lahko ne zagotavljajo popolne podobnosti z izdelkom.

UVOD

Zahvaljujemo se vam za nakup vlažilnika zraka 3 v 1 »Moony« podjetja LANAFORM. Ultrazvočna tehnologija vlažilnika zraka »Moony« pomaga pri vzpostavitvi primerne stopnje vlažnosti zraka v sobi vašega otroka in odpravljanju neveščnosti zaradi suhega zraka. Ker ima poleg tega nočno svetilko in oddaja zvezdasto svetlobo LED spremenljivih barv, spremeni sobo vašega otroka v čaroben in miren kraj za njegov spanec.

VARNOSTNA OPOZORILA

▲ PRED UPORABO VLAŽILNIKA ZRAKA PREBERITE VSA NAVODILA, ZLASTI GLAVNA VARNOSTNA OPOZORILA:

- Napravo uporabljajte samo skladno z načinom uporabe, opisanim v teh navodilih.
- Naprave ne smejo uporabljati osebe, vključno z otroki, z zmanjšanimi telesnimi, čutnimi ali duševnimi sposobnostmi ali osebe s pomanjkanjem izkušenj ali znanja, razen če jih pri uporabi naprave nadzira ali jim svetuje oseba, odgovorna za njihovo varnost. Pazite, da se otroci ne bodo igrali z napravo.
- Preverite, ali napetost električnega omrežja ustreza napetosti, označeni na napravi.
- Vlažilnik zraka »Moony« vedno postavite na trdno, ravno in vodoravno podlago. Naprava naj bo nekoliko odmaknjena od stene in virov toplote, kot so peči, radiatorji in podobno.

Pozor: Če naprave ne postavite v vodoravno podlago, morda ne bo delovala pravilno.

- Napravo postavite na mesto, ki ga otroci ne morejo doseči.
- Električnega vtiča naprave ne smete vtakniti in iztakniti z mokrimi rokami.
- Če je napajalni kabel poškodovan, ga je treba zamenjati s podobnim kablom, ki je na voljo pri dobavitelju ali njegovi servisni službi.

- Naprave ne izpostavljajte neposredni sončni svetlobi.
- Zbiralnik napolnite z destilirano ali demineralizirano čisto in svežo vodo.
- Ne razstavljajte naprave ali njenega podstavka.
- Naprave ne smete vklopiti, dokler zbiralnika ne napolnite z vodo.
- Naprave ne stresajte. V podstavek bi lahko vdrla voda in povzročila nepravilno delovanje.
- Med delovanjem naprave se ne dotikajte vode in sestavnih delov naprave.
- Če se med uporabo, opisano v teh navodilih, pojavi nenavaden vonj, napravo izklopite, izključite iz električnega omrežja in odnesite v pregled dobavitelju ali njegovi servisni službi.
- V zbiralnik ne smete naliti vroče vode, to je vode s temperaturo, višjo od 40 °C.
- Pred čiščenjem ali odstranjevanjem zbiralnika za vodo napravo izključite iz električnega omrežja.
- Naprave ne čistite z vodo in je ne potaplajte vanjo. Preberite navodila za čiščenje, ki so opisana v nadaljevanju.
- Pazite, da pretvornika ne opraskate s trdimi pripomočki. Vlažilnik zraka »Moony« je treba redno čistiti. Preberite in upoštevajte navodila za čiščenje, ki so opisana v nadaljevanju.
- Napravo, ki je padla v vodo, takoj izključite iz električnega omrežja in jo šele nato poberite.
- Električna naprava ne sme biti nikoli brez nadzora priključena v električno omrežje. Kadar naprave ne uporabljate, jo izključite.
- Električni kabel ne sme biti v bližini virov toplote.
- Naprave nikoli ne uporabljajte v prostorih, kjer se uporabljajo razpršila ali se zaradi zdravstvenih razlogov uporablja kisik.
- Na napravo ne polagajte oblacil ali brisač. Če je razpršila šoba prekrita, lahko to povzroči nepravilno delovanje naprave.
- Pri prenašanju napravo držite za podstavek in ne za zbiralnik za vodo.
- Vlažilnika zraka ne uporabljajte, če je zrak v prostoru že dovolj vlažen (najmanj 50-odstotna relativna vlažnost zraka). Primerna relativna vlažnost zraka za udobno bivanje je namreč med 45 in 55 %. Zaradi čezmerne vlažnosti se v prostoru na mrzlih po-

vršinah ali mrzlih stenah pojavi kondenz. Za pravilno določitev stopnje vlažnosti zraka v prostoru uporabite higrometer, ki ga lahko kupite v večini specializiranih trgovin in supermarketih.

- Temperatura v prostoru mora vedno biti med 5 in 40 °C.
- Vlažilnik zraka »Moony« je namenjen le za notranjo domačo uporabo.
- V vlažilniku zraka uporabljajte le ekološka eterična olja. Preberite poglavje o uporabi eteričnih olj.
- Naprava je namenjena le za domačo uporabo.
- V odprtine na napravi ne vstavljajte ničesar.

SESTAVNI DELI NAPRAVE

- 1 Dotok zraka
- 2 Leča nočne svetilke
- 3 Vtičnica DC
- 4 Prostornina zbiralnika za vodo
- 5 Gumb na dotik za vklop pršenja
- 6 Gumb na dotik za vklop vlaženja
- 7 Ročaj
- 8 Pokrov zbiralnika
- 9 Dovajalnik meglice
- 10 Dotok vode
- 11 Zbiralnik za vodo
- 12 Gumb na dotik za vklop nočne lučke
- 13 Podstavek
- 14 Odprtina za odvod zraka
- 15 Pretvornik
- 16 Oznaka za zapiranje
- 17 Leča za pršenje

NAVODILA ZA UPORABO

Predhodni nasveti

- Vlažilnik zraka vzemite iz embalaže tako, da ga primete za podstavek, ne za ročaj.
- Pred začetkom uporabe preverite, da na napravi ni nobene napake in da je naprava čista. Če ugotovite napako, vlažilnik odnesite k dobavitelju ali njegovi servisni službi.
- Vlažilnik zraka »Moony« postavite v prostor pol ure pred vklopom, da se prilagodi sobni temperaturi.
- Temperatura v prostoru mora vedno biti med 5 in 40 °C.

- Vedno ga postavite na trdno in vodoravno podlago, odporno na vodo. Naprava naj bo nekoliko odmaknjena od vseh električnih naprav in virov toplote, kot so peči, radiatorji in podobno. Naprava naj bo odmaknjena tudi od stene.
- Napravo postavite na mesto, ki ga otroci ne morejo doseči.
- Pred polnjenjem preverite, da je dovajalnik meglice vstavljen v zbiralnik vode (glejte Polnjenje).
- Če želite izprazniti zbiralnik, najprej poskrbite, da voda ne zaide v dimnik skozi odvod za zrak (slika 2, točka 14).

Polnjenje

▲ Pred polnjenjem preverite, da je dovajalnik meglice (slika 1, točka 9) vstavljen v zbiralnik vode! V ta namen poravnajte oznaki za zapiranje (slika 2, točka 16), nato dovajalnik meglice zavrtite v smeri urnega kazalca, dokler ni blokiran ter dovod zraka (slika 1, točka 1) in odvod zraka (slika 2, točka 14) nista poravnana.

Za polnjenje zbiralnika glejte sliko 3:

- Ob pomoči ročaja odstranite pokrov z zbiralnika za vodo (slika 3, točka 1).
- Zbiralnik napolnite z destilirano ali demineralizirano čisto vodo s temperaturo največ 40 °C (slika 3, točka 2). Zaradi boljšega vlaženja in daljše življenjske dobe izdelka poskrbite, da bo nivo vode med najnižjo in najvišjo oznako nivoja na rezervoarju (slika 1-2).
- Namestite pokrov (slika 3, točka 3).

▲ OPOZORILO

- NE napolnite zbiralnika prek oznake za nivo vode MAX.
- NE vlivajte vode v podstavke skozi odvod zraka (slika 2, točka 14).
- NE vlivajte eteričnih olj na lečo za pršenje (slika 2, točka 17).

Funkcija vlaženja zraka

- S suhimi rokami vstavite nastavek adapterja v vtičnico DC na zadnji strani razpršilnika (slika 1, točka 3).
- Vlažilnik zraka ima 3 stopnje razprševanja pare:
 - gumb za vklop vlažilnika (slika 1, točka 6) pritisnite enkrat: kontrolna lučka je zelena in stopnja vlaženja je najnižja (120 ml/h);
 - gumb za vklop vlažilnika pritisnite dvakrat: kontrolna lučka je modra in stopnja vlaženja je srednja (150 ml/h);

- gumb za vklop vlažilnika pritisnite trikrat: kontrolna lučka je rdeča in stopnja vlaženja je najvišja (180 ml/h);
- gumb za vklop vlažilnika pritisnite štirikrat: kontrolna lučka ugasne in vlaženje preneha.

Ko je zbiralnik prazen, kontrolna lučka utripa rdeče (x10) in vlaženje se samodejno ustavi. Druge funkcije ostanejo vklopljene.

Uporaba eteričnih olj

Za razprševanje ekoloških eteričnih olj v prostoru kanite nekaj kapljic ekološkega eteričnega olja (največ 3 do 4) neposredno v vodo in nato znova namestite pokrov (slika 3, točka 3).

▲ OPOZORILO

DODATNE INFORMACIJE, POVEZANE Z UPORABO ETERIČNIH OLJ

- Pred uporabo eteričnih olj se seznanite z neugodnimi učinki na zdravje, ki jih lahko povzročijo uporaba teh izdelkov.
- Vedno uporabljajte samo kakovostna eterična olja: čista in 100-odstotno naravna ter namenjena za razprševanje. Uporabljajte jih zmerno in previdno. Upoštevajte navodila in opozorila na embalaži eteričnih olj, pri čemer bodite še zlasti pozorni na naslednje:
 - Eteričnih olj ne smejo uporabljati nosečnice, epileptiki, astmatiki, osebe z alergijami, srčni bolniki in hudo bolne osebe.
 - V otroških sobah (otrok, mlajših od 3 let) je eterična olja dovoljeno uporabljati največ 10 minut in pod pogojem, da otrok takrat ni v prostoru.
- Preprečite, da bi se z napravo igrali ali jo uporabljali otroci in mladoletne osebe.
- Že nekaj kapljic (največ 3 do 4 kapljice) eteričnega olja zadostuje za pravilno delovanje naprave in razpršitev prijetnega vonja. Pretirane količine eteričnih olj lahko poškodujejo napravo.
- Podjetje Lanaform ne odgovarja za slučajno škodo, ki je posledica uporabe, ki ni skladna z načinom uporabe, opisanim v teh navodilih.

Funkcija nočne svetilke

- Gumb za vklop nočne svetilke (slika 1, točka 12) pritisnite enkrat: kontrolna lučka se prižge in svetilka sveti;
- gumb za vklop nočne svetilke pritisnite dvakrat: kontrolna lučka in svetilka se ugasneta.

Funkcija projekcije svetlobe

- Gumb za vklop projekcije (slika 1, točka 9) pritisnite enkrat: kontrolna lučka je modra in projekcija se vklopi za 20 minut;
- gumb za vklop projekcije pritisnite dvakrat: kontrolna lučka je zelena in svetloba se projicira neprekinjeno;
- gumb za vklop projekcije pritisnite trikrat: kontrolna lučka in projekcija se izklopiata.

▲ OPOZORILO: KLJUB VARNOSTNEMU SISTEMU, KI PREKINE DELOVANJE PRETVORNIKA, NAPRAVO IZKLJUČITE IZ ELEKTRIČNEGA OMREŽJA, KADAR JE NE UPORABLJATE.

VZDRŽEVANJE IN SHRANJEVANJE

Pred čiščenjem ali shranjevanjem vlažilnik vedno izključite iz napetosti in odlijte vodo iz zbiralnika.

Če je voda trda, to je če vsebuje prevelike količine kalcija in magnezija, se lahko v napravi začne nabirati »beli prah«, zato nastajajo debele usedline na površini podstavka, pretvorniku (beli keramični ploščici, ki ustvarja ultrazvočne valove) in notranjih stenah zbiralnika za vodo. Zaradi usedlin na pretvorniku naprava ne deluje pravilno.

Priporočamo, da:

- 1 vedno uporabljajte ohlajeno vrelo vodo ali destilirano vodo;
- 2 zbiralnik za vodo očistite vsake tri dni, pretvornik pa vsak teden;
- 3 redno menjate vodo v zbiralniku, da ostane sveža, in je ne puščate v njem več kot 2 dni;
- 4 očistite napravo in preverite, ali so vsi sestavni deli popolnoma suhi, če naprave ne boste uporabljali.

Čiščenje pretvornika:

- 1 Dovajalnik meglice (slika 1, točka 9) zasukajte v nasprotni smeri urnega kazalca, dokler oznaki nista poravnani, nato odstranite dovajalnik.
- 2 Na površino pretvornika kapnite od 2 do 5 kapljic kisa in počakajte od 2 do 5 minut.
- 3 Z mehko krtačko odstranite usedline na površini. Ne uporabljajte trdih pripomočkov, ki bi lahko opraskali površino.
- 4 Pretvornik splaknite s čisto vodo.
- 5 Za čiščenje pretvornika ne uporabljajte mila ali drugih bazičnih snovi.

Navodila za čišćenje podstavka:

- 1 Podstavek očistite s vodo in mehko krpo oziroma s kisom, če so v notranjosti podstavka apnenčaste usedline ALI obloge.
- 2 Če usedline prekrivajo varnostno stikalo, kapnite nanj nekaj kapljic kisa in ga očistite s ščetko.
- 3 Podstavek splaknite s čisto vodo.

Shranjevanje:

- 1 Ultrazvočni vlažilnik skrbno očistite in posušite skladno z navodili za vzdrževanje.
- 2 Počakajte, da se popolnoma posuši, preden ga pospravite. Nikoli ga ne pospravite, če je v podstavku voda.
- 3 Napravo shranite na suhem in hladnem mestu zunaj dosega otrok.

OKVARE IN REŠITVE

Če naprava med običajno uporabo deluje nepravilno, si oglejte spodnjo razpredelnico:

Ni meglice, kontrolna lučka ne sveti.

- ⊕ Če lučka ne sveti.
- ⊖ Preverite, ali je naprava priključena oziroma ali je prišlo do okvare na električnem omrežju.
- ⊕ Raven vode v zbiralniku je prenizka.
- ⊖ Dolijte vodo v zbiralnik.
- ⊕ Iz zbiralnika uhaja voda.
- ⊖ Preverite, ali je zbiralnik pravilno nameščen.
- ⊕ Temperatura naprave je prenizka.
- ⊖ Napravo postavite v prostor s sobno temperaturo pol ure pred začetkom uporabe.

Meglica ima nenavaden vonj.

- ⊕ Voda že predolgo časa stoji v zbiralniku.
- ⊖ Očistite zbiralnik ter ga napolnite z destilirano ali demineralizirano čisto in svežo vodo.

Majhna količina meglice.

- ⊕ V zbiralniku je preveč (ali premalo) vode.
- ⊖ Odlijte (ali dolijte) vodo.
- ⊕ Usedline na pretvorniku.
- ⊖ Očistite pretvornik.
- ⊕ Voda je premrzla.
- ⊖ Uporabite vodo sobne temperature.
- ⊕ Voda je umazana.
- ⊖ Očistite zbiralnik ter ga napolnite z destilirano ali demineralizirano čisto in svežo vodo.

Na vlažilniku ali oknih se pojavlja kondenz.

- ⊕ Stopnja razprševanja meglice je previsoka glede na velikost prostora ali prej obstoječo stopnjo vlažnosti v prostoru.
- ⊖ Zmanjšajte stopnjo razprševanja meglice ali izklopite vlažilnik.

▲ OPOZORILO

Zgoraj naštete okvare so informativne. Če dvomite, naprave ne poskušajte popraviti sami, ampak se obrnite na dobavitelja ali njegovo servisno službo.

TEHNIČNE LASTNOSTI

- Model: LA120122
- Napetost: 100-240 V~
- Frekvenca: 50/60 Hz
- Moč: 25 W
- Prostornina: 2,5 l

PRIPADAJOČI NASVETI ZA ODSTRANJEVANJE ODPADKOV

Emblaža je v celoti sestavljena iz materialov, ki niso nevarni okolju in ki jih lahko odlagate kot sekundarne materiale v vašem komunalnem centru za sortiranje. Karton lahko odložite v zbiralni zabojnik za papir. Ovojne folije je treba odlagati v vašem komunalnem centru za sortiranje in recikliranje.

Ko ne boste več uporabljali aparata, ga odstranite na okolju ustrezen način in v skladu z zakonskimi predpisi.

OMEJENA GARANCIJA

LANAFORM jamči, da ta izdelek nima nobene napake v materialu in izdelavi, in sicer od datuma nakupa dalje za obdobje dveh let, z izjemo spodaj navedenih primerov.

Garancija LANAFORM ne krije škode, ki bi nastala zaradi normalne obrabe tega izdelka. Poleg tega garancija za ta LANAFORM-ov izdelek ne krije škode, ki je posledica kakršnekoli zlonamerne ali nepravilne uporabe, nezgode, namestitve neodobrene dodatne opreme, modifikacije izdelka ali kakršnekoli druge situacije, na katero LANAFORM ne more vplivati.

LANAFORM ne bo odgovarjal za kakršnokoli vrsto naključne, posledične ali posebne škode.

Vse implicitne garancije za ustreznost izdelka so omejene na obdobje dveh let od datuma prvega nakupa, v kolikor je mogoče predložiti kopijo dokazila o nakupu.

Po sprejemu bo LANAFORM popravil ali zamenjal vaš aparat, odvisno od primera, in vam ga poslal nazaj. Garancija se izpolni samo preko servisnega centra LANAFORM. V primeru, da je kakršnokoli vzdrževanje tega izdelka izvajala katerakoli druga oseba, ne pa servisni center LANAFORM, se ta garancija izniči.

HRVATSKI

📌 Namjera nam je da fotografije i drugi prikazi proizvoda u ovom korisničkom priručniku i na pakiranju budu što je moguće vjerniji ma da oni ne mogu osigurati savršenu sličnost s proizvodom.

UVOD

Hvala vam na kupnji ovlaživača zraka 3 u 1 „Moony“ marke LANAFORM. Zahvaljujući ultrazvučnoj tehnologiji, ovlaživač zraka „Moony“ vam pomaže da vratite odgovara-

juću razinu vlažnosti u dječjoj sobi i uklonite nelagode povezane sa suhim zrakom. Osim toga, pomoću funkcije noćnog svjetla i LED žarulje koja mijenja boje i projektira svjetlost u obliku zvijezda, pretvara sobu vašeg djeteta u čarobno i umirujuće mjesto za spavanje.

SIGURNOSNE UPUTE

▲ MOLIMO, PROČITAJTE SVE UPUTE PRIJE UPORABE OVLAŽIVAČA, POSEBICE OVIH NEKOLIKO OSNOVNIH SIGURNOSNIH UPUTA:

- Uređaj koristite samo na način opisan u ovom priručniku.
- Ovaj uređaj nije namijenjen osobama, uključujući djecu, sa smanjenim tjelesnim, osjetilnim ili psihičkim sposobnostima, kao ni osobama bez prethodnog iskustva ili znanja, osim uz pomoć osoba odgovornih za njihovu sigurnost, uz njihov nadzor ili prethodne upute za korištenje uređaja. Preporuča se nadzor djece kako bi se spriječila njihova igra uređajem.
- Provjerite odgovara li napon vaše mreže uređaju.

- Ovlaživač „Moony“ uvijek stavljajte na tvrdu, ravnu i vodoravnu površinu. Držite ga na blagoj udaljenosti od stijenki i izvora topline kao što su peći, radijatori itd.

Pozor: Moguće je da uređaj neće raditi ispravno ako ne stoji na vodoravnoj površini.

- Uređaj obvezno postavite na mjesto nedostupno djeci.
- Utikač uređaja nemojte ni spajati ni odspajati mokrim rukama.
- Ako je kabel za napajanje oštećen, mora ga se zamijeniti sličnim kabelom dostupnim od dobavljača ili njegove postprodajne službe.
- Nemojte ostavljati uređaj na izravnoj sunčevoj svjetlosti.
- Puniti spremnik samo čistom, svježom, destiliranom ili demineraliziranom vodom.
- Nemojte rastavljati ni uređaj u cijelosti niti čak njegovu podnožje.
- Nemojte ukopčavati uređaj kada nema vode u spremniku.
- Nemojte tresti uređaj. Tako se voda može prolići u podnožje i ugroziti njegov rad.
- Nikada nemojte dodirivati vodu i sastavne dijelove kada uređaj radi.
- Ako se tijekom uporabe opisane u ovom priručniku javi neprijetan miris, isključite uređaj, odspojite ga i odnesite na pregled dobavljaču ili njegovoj postprodajnoj službi.
- Nemojte u spremnik nalijevati vruću vodu, to jest, vodu temperature više od 40 °C.
- Isključite uređaj prije čišćenja ili uklanjanja spremnika.
- Nemojte cijeli uređaj prati niti ga uranjati u vodu; pogledajte upute za čišćenje u ovom priručniku.
- Nikada nemojte strugati pretvarač tvrdom alatkom. Ovlaživač „Moony“ treba redovito čistiti. U tu svrhu proučite i slijedite upute za čišćenje u ovom priručniku.
- Uređaj koji je pao u vodu odmah iskopčajte prije vađenja.
- Električni uređaj nikad ne smije ostati uključen bez nadzora. Isključite ga nakon korištenja.
- Držite električni kabel podalje od toplih površina.
- Nikada nemojte koristiti uređaj u prostoriji gdje se koristi aerosol (sprej) ili gdje se primjenjuje kisik.
- Nemojte stavljati odjeću ili ručnike na vrh uređaja. Zapriječena mlaznica može uzrokovati kvar uređaja.
- Prilikom pomicanja uređaja podignite podnožje a ne spremnik za vodu.
- Nemojte koristiti ovlaživač ako je zrak u prostoriji već dovoljno vlažan (bar 50 % relativne vlažnosti). Zapravo, idealna relativna vlažnost za udobnost ljudskih bića

je između 45 % i 55 %. Višak vlage očituje se kondenzacijom na hladnim površinama ili na stijenkama u hladnoj prostoriji. Kako biste pravilno odredili vlažnost u prostoriji, koristite vlagomjer (higrometar) dostupan u većini specijaliziranih trgovina i supermarketa.

- Sobna temperatura mora uvijek biti između 5 °C i 40 °C.
- Ovlaživač „Moony“ namijenjen je za unutarnju i primjenu u kućanstvu.
- S ovlaživačem koristite samo organska eterična ulja. U tu svrhu pogledajte poglavlje o korištenju eteričnih ulja.
- Uređaj je namijenjen isključivo uporabi u kućanstvu.
- Nemojte umetati nikakve predmete niti u jedan otvor u uređaju.

SASTAVNI DIJELOVI UREĐAJA

- 1 Ulaz za zrak
- 2 Leće noćnog svjetla
- 3 Ulaz DC utičnice
- 4 Mjerač spremnika za vodu
- 5 Gumb osjetljiv na dodir (osjetnik) za projekciju
- 6 Gumb osjetljiv na dodir (osjetnik) za vlaženje zraka
- 7 Ručka
- 8 Poklopac spremnika
- 9 Vod za maglu
- 10 Priključak za vodu
- 11 Spremnik
- 12 Gumb osjetljiv na dodir (osjetnik) za noćno svjetlo
- 13 Podnožje
- 14 Izlaz za zrak
- 15 Pretvarač
- 16 Oznake za zaključavanje
- 17 Projekcijske leće

UPUTE ZA UPORABU

Prethodne upute

- Izvadite ovlaživač zraka iz ambalaže podizanjem s podnožja a ne pomoću ručke.
- Prije početka korištenja uvjerite se da uređaj nema nedostatke te da je čist. Ako postoji kvar, odnesite ovlaživač zraka dobavljaču ili njegovoj postprodajnoj službi.
- Postavite ovlaživač „Moony“ u prostoriju pola sata prije uključivanja kako bi se mogao prilagoditi sobnoj temperaturi.
- Sobna temperatura mora uvijek biti između 5 °C i 40 °C.
- Uvijek ga postavljajte na tvrdu, vodoravnu vodoravnu površinu. Nemojte ga izlagati električnim uređajima i izvorima topline kao što su peći, radijatori, itd. Držite ga na blagoj udaljenosti od stijenki.

- Uređaj obvezno postavite na mjesto nedostupno djeci.
- Prije punjenja provjerite je li vod za maglu postavljen u spremnik (pogledajte odjeljak Punjenje).
- Za pražnjenje spremnika za vodu provjerite da voda ne ulazi u dimnjak kroz izlaz za zrak (Slika 2, Točka 14).

Punjenje

▲ Prije punjenja provjerite je li vod za maglu (Slika 1, Točka 9) postavljen u spremnik! Da biste to učinili, poravnajte oznake za zaključavanje (Slika 2, Točka 16) i okrećite vod za maglu u smjeru kretanja kazaljke na satu dok se ne zaključa pomoću jezičaka za zaključavanje a ulaz za zrak (Slika 1, Točka 1) i izlaz za zrak (Slika 2, Točka 14) ne poklope.

Napunite spremnik prema Slici 3:

- Poklopac spremnika uklonite pomoću ručke (Slika 3, Točka 1).
- Napunite spremnik čistom destiliranom ili demineraliziranom vodom temperature od najviše 40 °C (Slika 3, Točka 2). Za bolje vlaženje zraka i dulji vijek trajanja proizvoda provjerite je li razina vode između minimalne razine i maksimalne razine naznačene u spremniku (Slika 1-2).
- Zamijenite poklopac (Slika 3, Točka 3).

▲ POZOR

- NEMOJTE puniti spremnik iznad oznake razine MAX punjenja.
- NEMOJTE uliti vodu u podnožje kroz izlaz zraka (Slika 2, Točka 14).
- NEMOJTE uliti eterična ulja na projekcijsku leću (Slika 2, Točka 17).

Funkcija vlaženja zraka

- Suhim rukama umetnite vrh prilagodnika u ulaz DC utičnice na stražnjoj strani ovlaživača (Slika 1, Točka 3).
- Ovlaživač zraka ima 3 jačine emisije pare:
 - Pritisnite gumb za vlaženje zraka (Slika 1, Točka 6) jedanput: indikatorsko svjetlo je zeleno i vlaženje zraka se aktivira pri najmanjoj jačini emisije pare (120 ml/h);
 - Dva puta pritisnite gumb za vlaženje zraka: indikatorsko svjetlo je plavo i vlaženje zraka se aktivira pri srednjoj jačini emisije pare (150 ml/h);
 - Pritisnite gumb za vlaženje zraka tri puta: indikatorsko svjetlo je crveno i vlaženje zraka se aktivira pri najvećoj jačini emisije pare (180 ml/h);
 - Pritisnite gumb za vlaženje zraka četiri puta: indikatorsko svjetlo se isključuje i vlaženje zraka se zaustavlja.

Kada je spremnik prazan, indikatorsko svjetlo treperi crveno (x10) a vlaženje zraka se automatski zaustavlja. Ostale funkcije ostaju aktivne.

Uporaba eteričnih ulja

Za raspršivanje organskih eteričnih ulja u prostoriji ulijte nekoliko kapi organskih eteričnih ulja (najviše 3 – 4) izravno u vodu i zatim zamijenite poklopac spremnika (Slika 3, Točka 3).

▲ UPOZORENJE

DODATNI PODACI VEZANI UZ UPORABU ETERIČNIH ULJA

- Prije uporabe eteričnih ulja raspitajte se o negativnim učincima koje uporaba takvih proizvoda može imati na zdravlje.
- Za raspršivanje uvijek izaberite kvalitetna eterična ulja: čista i 100 % prirodna. Koristite ih umjereno i oprezno. Slijedite upute i upozorenja navedena na pakiranju eteričnih ulja, uključujući i sljedeće:
 - Uporaba eteričnih ulja zabranjena je trudnicama, osobama koje pate od epilepsije, astme ili alergija te osobama sa srčanim tegobama ili teškim bolestima.
 - U sobi za malu djecu (mlađu od 3 godine), eterična ulja se smiju koristiti u trajanju od najviše 10 minuta, i to samo kada dijete nije u sobi.
- Pobrinite se da se djeca i maloljetnici ne igraju uređajem i da ga ne koriste.
- Samo nekoliko kapi (najviše 3 – 4 kapi) eteričnih ulja dovoljno je da se osigura pravilan rad uređaja i širenje mirisa. Pretjerana količina eteričnih ulja može oštetiti uređaj.
- Tvrtka Lanaform ne može se smatrati odgovornom za slučajnu štetu proizašlu iz bilo kakve uporabe suprotne onoj koju propisuje ovaj priručnik.

Funkcija noćnog svjetla

- Pritisnite gumb za noćno svjetlo (Slika 1, Točka 12) jedanput: indikatorsko svjetlo se uključuje i režim noćnog svjetla se aktivira;
- Pritisnite gumb za noćno svjetlo dva puta: indikatorsko svjetlo se isključuje i režim noćnog svjetla se deaktivira.

Funkcija svjetlosne projekcije

- Pritisnite gumb za projekciju (Slika 1, Točka 5) jedanput: indikatorsko svjetlo je plavo i svjetlosna projekcija je aktivna tijekom 20 minuta;

- Pritisnite gumb za projekciju dva puta: indikatorsko svjetlo je zeleno, a svjetlosna projekcija je neprekidno aktivna;
- Pritisnite gumb za projekciju tri puta: indikatorsko svjetlo i svjetlosna projekcija se isključuju.

▲ POZOR: IAKO SIGURNOSNI SUSTAV PREKIDA RAD PRETVARAČA, IZBJEGLAVAJTE OSTAVLJATI UREĐAJ POD NAPONOM KADA NIJE U UPORABI.

ODRŽAVANJE I POHRANA

Uvijek isključite ovlaživač zraka i ispraznite vodu u spremniku prije čišćenja ili pohrane.

Ako je voda tvrda, odn. ako sadrži previše kalcija i magnezija, ona može ostaviti naslage „bijelog praha“ u uređaju i uzrokovati obilno pjenjenje na površini spremnika uređaja, na pretvaraču (keramičkom gumbu koji ispušta ultrazvuk) i na unutarnjim zidovima spremnika za vodu. Pjena na površini pretvarača sprječava ispravan rad uređaja.

Preporučamo:

- 1 za svaku uporabu koristite prokuhanu i rashlađenu vodu ili destiliranu vodu;
- 2 očistite spremnik svaka 3 dana, a pretvarač svaki tjedan;
- 3 redovito mijenjajte vodu u spremniku tako da ostane svjež; ne ostavljajte ju dulje od 2 dana;
- 4 očistite uređaj i uvjerite se da su svi dijelovi potpuno suhi kada uređaj nije u uporabi.

Čišćenje pretvarača:

- 1 Okrećite vod za maglu (Slika 1, Točka 9) u smjeru suprotnom od kretanja kazaljke na satu sve dok se oznake za otključavanje ne poravnaju, a zatim uklonite vod.
- 2 Stavite 2 do 5 kapi octa na površinu i ostavite 2 do 5 minuta.
- 3 Očistite naslage s površine pomoću mekane četke. Nemojte strugati površinu tvrdom alatkom.
- 4 Isperite pretvarač čistom vodom.
- 5 Nemojte koristiti sapun ili lužine za čišćenje pretvarača.

Čišćenje spremnika uređaja:

- 1 Spremnik za vodu očistite mekanom krpom te sa malo octa ako unutra postoji pjena ili naslage kalcija.

- 2 Ako pjena prekriva sigurnosnu sklopku, stavite nekoliko kapi octa na nju i očistite ju četkom.
- 3 Isperite spremnik čistom vodom.

Pohrana:

- 1 Temeljito očistite i osušite ultrazvučni ovlaživač slijedeći upute za održavanje.
- 2 Pustite da se potpuno osuši prije odlaganja. Nemojte ga čuvati s vodom u podnožju.
- 3 Uređaj čuvajte na suhom i hladnom mjestu, izvan dohvata djece.

KVAROVI I POPRAVKI

U slučaju kvarova pod normalnim uvjetima korištenja pogledajte sljedeću tablicu:

Nema raspršivanja magle, nema indikatorskog svjetla.

- ⊗ Ako nema svjetla.
- ⊗ Provjerite je li uređaj spojen te da nije došlo do kvara u mreži.
- ⊗ Razina vode u spremniku je preniska.
- ⊗ Dodajte vode u spremnik.
- ⊗ Istjecanje vode iz spremnika.
- ⊗ Provjerite je li spremnik pravilno postavljen.
- ⊗ Temperatura uređaja je preniska.
- ⊗ Postavite uređaj u prostoriji na sobnu temperaturu pola sata prije uporabe.

Raspršena magla ima neobičan miris.

- ⊗ Voda predugo stoji u spremniku.
- ⊗ Očistite spremnik i napunite ga čistom, svježom, destiliranom ili demineraliziranom vodom.

Slab intenzitet raspršivanja magle.

- ⊗ U spremniku ima previše (premalu) vode.
- ⊗ Ispraznite (dopunite vodom) spremnik.
- ⊗ Naslage na pretvaraču.
- ⊗ Očistite pretvarač.
- ⊗ Voda je prehladna.
- ⊗ Koristite vodu na sobnoj temperaturi.
- ⊗ Voda nije čista.
- ⊗ Očistite spremnik i napunite ga čistom, svježom, destiliranom ili demineraliziranom vodom.

Ствара се кондензация на овлажвачу или прозорима.

- ⊕ Интензитет распршаваня магле је прејак за величину просторје или у односу на ранију разину влаге.
- ⊕ Смањите интензитет распршаваня магле или искључите овлажвача зрака.

▲ ПОЗОР

Gore navedeni kvarovi су индикативни. Ако сте у недомци, немојте покушавати сами поправљати уређај, но се обратите добављачу или његовом сервисном центру.

ТЕХНИЧКЕ ЗНАЧАЈКЕ

- Model: LA120122
- Napon: 100 – 240 V~
- Frekvencija: 50/60 Hz
- Snaga: 25 W
- Kapacitet: 2,5 L

SAVJETI O UKLANJANJU OTPADA

Ambalaža се у потпуности састоји од материјала који нису опасни по околиш и могу се предати у сабирни центар у Вашој опћини како би се употријебили као секундарни материјали. Картон се може бацити у контејнер за скупљање папира. Ambalažnu foliju потребно је предати сабирном и рециклажном центру у Вашој опћини.

Kada više нећете употребљавати апарат, збирите га нешкодљиво по околиш и у складу са законским одредбама.

OGRANIČENO JAMSTVO

LANAFORM jamči да овај производ нема никакве грешке у материјалу ни производне грешке за раздобље од двије године од датума купње производа, осим у ниже наведеним случајевима.

Jamstvo tvrtke LANAFORM не покрива штете настале услед нормалног хабања овог

производа. Osim toga, ово jamstvo на овај производ tvrtke LANAFORM не покрива штете настале услед претераног или неправилног коришћења, несреће, надogradnje недопуштених nastavaka, neovlaštene modifikacije proizvoda или у било којим ситуацијама неовисним од волје LANAFORM.

Tvrtka LANAFORM не може се сматрати odgovornom за било какво последиčno или посебно oštećivanje nastavaka.

Sva jamstva која се односе на способност производа ограничена су на раздобље од двије године од почетног датума купње само уз предочење копије доказа о купњи.

Po prijemu, tvrtka LANAFORM će, ovisno o Vašem slučaju, поправити или zamijeniti uređaj и vratiti га. Jamstvo се ostvaruje путем сервисног центра tvrtke LANAFORM. Bilo kakva radnja održavanja овог производа povjerena nekoј drugој osobi осим Servisnom центру tvrtke LANAFORM poništava ово jamstvo.

БЪЛГАРСКИ

☑ Фотографиите и другите представљанија на продукту в това ръководство и върху опаковката показват продукту възможно најточно, но не може да се гарантира перфектна еднаквост с продукту.

ВВЕДЕНИЕ

Благодарим ви, че купихте овлажнителя 3-в-1 «Моопу» на LANAFORM. Благодарение на ултразвукотвора технология овлажнителя «Моопу» ви помага да установите адекватна влажност във вашата детска стая и да премахнете дискомфорта на сухия въздух. Освен това, благодарение на функцията си на ношна лампа и проекцията на светодиодна светлина по тавана под формата на звезди с променящи се цветове, той превръща вашата детска стая в магическо и успокояващо място за сън.

ПРАВИЛА ЗА БЕЗОПАСНОСТ

▲ ПРЕДИ ДА ИЗПОЛЗВАТЕ ОВЛАЖНИТЕЛЯ, ПРОЧЕТЕТЕ ВСИЧКИ ИНСТРУКЦИИ, ОСОБЕНО ТЕЗИ НЯКОЛКО ОСНОВНИ ПРЕПОРЪКИ ЗА БЕЗОПАСНОСТ:

- Не използвайте апарата по друг начин, освен по описания в това ръководство.
- Това изделие не е предназначено за употреба от лица, включително и деца, които имат намалени физически, сензорни или умствени способности, или

от лица, които нямат опит или познания, освен ако те не използват изделието с помощта на друго лице, което е отговорно за тяхната безопасност, контролира ги или инструктира предварително за използването на изделието. Не трябва да се позволява на деца да си играят с апарата.

- Уверете се, че напрежението на електрическата мрежа съответства на изискванията за апарата.
- Винаги поставяйте овлажнителя «Моопу» върху твърда, гладка и хоризонтална повърхност. Отдалечете го леко от стени и източници на топлина, като например печки, радиатори и др.

Внимание! Ако не се постави върху хоризонтална повърхност, възможно е уредът да не може да работи правилно.

- Уверете се че сте поставили уреда на място, което децата не могат да достигнат.
- Не включвайте или изключвайте щепсела на уреда с мокри ръце.
- Ако захранващият кабел е повреден, той трябва да бъде заменен с подобен кабел, който се предлага от продавача или от неговия сервис за следпродажбена поддръжка.
- Не оставяйте уреда изложен на пряка слънчева светлина.
- Пълнете резервоара с чиста прясна, дестилирана или деминерализирана вода.

- Не разглобявайте уреда като цяло, нито дори неговата основа.
- Не включвайте уреда, когато няма вода в резервоара.
- Не клатете уреда. Това би могло да доведе до разливане на вода от основата и да повлияе негативно на неговата работа.
- Никога не докосвайте водата и компонентите, когато уредът работи.
- Ако мирише необичайно по време на употреба съгласно описанието в това ръководство, изключете уреда, извадете захранващия кабел и занесете уреда за проверка при продавача или в неговия сервис за следпродажбена поддръжка.
- Не наливайте топла вода в резервоара, т.е. вода с температура над 40°C.
- Изключете уреда преди почистване или сваляне на резервоара.
- Не мийте целия уред с вода и не го потапяйте. Вижте инструкциите за почистване в това ръководство.
- Никога не стържете преобразователя с твърд инструмент. Овлажнителят «Моопу» трябва редовно да се почиства. За да правите това правилно, вижте инструкциите за почистване в това ръководство и ги следвайте.
- Незабавно изключете уреда от електрическата мрежа, ако падне във вода – още преди да го извадите от водата.
- Един електрически апарат никога не трябва да бъде оставян без надзор, когато е включен. Изключете го от контакта, когато не го използвате.

- Отдалечавайте захранващия кабел от горещи повърхности.
- Никога не използвайте този уред в стая, където се използват аерозолни продукти (спрейове) или където се подава допълнителен кислород.
- Не поставяйте дрехи или кърпи върху горната част на уреда. Ако дюзата е запушена, може да предизвика неправилност на уреда.
- Когато премествате уреда, хващайте го и го повдигайте за основата, а не за резервоара за вода.
- Не използвайте овлажнителя, ако въздухът в помещението е достатъчно влажен (поне 50% относителна влажност). Всъщност, идеалната относителна влажност за комфортно усещане при хората е между 45% и 55%. Прекомерната влажност се проявява чрез кондензация върху студени повърхности или стени на студени стаи. За да определите правилно влажността на помещението, използвайте хигрометър. Можете да си купите такъв в повечето специализирани магазини и супермаркети.
- Температурата в помещението трябва винаги да е между 5°C и 40°C.
- Овлажнителят «Moony» е предназначен единствено за домашна употреба на закрито.
- Използвайте само етерични масла BIO с овлажнителя. За инструкции вижте главата за употреба на етерични масла.
- Уредът е предназначен единствено за домашна употреба.
- Не поставяйте предмети в отворите на уреда.

СЪСТАВНИ ЧАСТИ НА УРЕДА

- 1 Вход за въздух
- 2 Леща на нощната лампа
- 3 Вход за постояннооточково захранване (жак)
- 4 Прозорче на резервоара за вода.
- 5 Бутон на проектора на светлина
- 6 Бутон за овлажняване
- 7 Дръжка
- 8 Капак на резервоара
- 9 Водач на парата
- 10 Вход за наливане на вода
- 11 Резервоар
- 12 Бутон за нощната лампа
- 13 Основа
- 14 Изход за въздух
- 15 Ултразвуков преобразувател
- 16 Маркери за заключване
- 17 Леща на проектора на светлина

ИНСТРУКЦИИ ЗА УПОТРЕБА

Предварителни инструкции

- Извадете овлажнителя от опаковката му, като го хванете за основата му, а не за дръжката.
- Проверете за дефекти и се уверете, че уредът е чист, преди да започнете да го използвате. Ако намерите дефект, занесете овлажнителя на доставчика или в службата за следпродажбена поддръжка.
- Поставете овлажнителя «Moony» в желаната стая половин час преди да го включите, за да се адаптира към стайната температура.
- Температурата в помещението трябва винаги да е между 5°C и 40°C.
- Винаги внимавайте да го поставяте върху твърда и хоризонтална повърхност, която няма да се повреди при намокряне с вода. Отдалечете го от всички електрически уреди и източници на топлина, като например печки, радиатори и др. Отдалечете го също и малко от стените.
- Уверете се че сте поставили уреда на място, което децата не могат да достигнат.
- Преди пълнене се уверете, че водачът на парата е поставен в резервоара (вижте раздел „Пълнене“).
- За да изпразните водата от резервоара, уверете се, че водата не се връща в струйника през изхода за въздух (фиг. 2, точка 14).

Пълнене

▲ Преди пълнене се уверете, че водачът на парата (фиг. 1, точка 9) е поставен в резервоара! За да направите това, изравнете маркерите за заключване (фиг. 2, точка 16) и завъртете водача на парата по посока на часовниковата стрелка, докато той се заключи от заключващите палци, а входът за въздух (фиг. 1, точка 1) и изходът за въздух (фиг. 2, точка 14) съвпадат.

Напълнете резервоара, както е показано на фиг. 3:

- Свалете капака на резервоара, като го хванете за дръжката му (фиг. 3, точка 1).
- Напълнете резервоара с чиста водадестилирана или деминерализирана, която е с температура максимум 40°C (фиг. 3, точка 2). За по-добро овлажняване и по-дълъг експлоатационен живот на продукта се уверете, че нивото на водата остава между маркерите за мини-

мално и максимално ниво, отбелязани в резервоара (фиг. 1-2).

- Поставете отново капака (фиг. 3, точка 3).

▲ ВНИМАНИЕ!

- НЕ пълнете резервоара над маркера MAX за максимално ниво на пълнене.
- НЕ сипвайте вода в изхода за въздух (фиг. 2, точка 14).
- НЕ сипвайте етерични масла върху лещата на проектора на светлина (фиг. 2, точка 17).

Функция за овлажняване на въздуха

- Със сухи ръце вкарайте конектора на адаптера във входа за постояннооточково захранване, разположен отзад на овлажнителя (фиг. 1, точка 3).
- Овлажнителят има 3 нива на интензитета на парата:
 - Натиснете веднъж бутона за овлажняване (фиг. 1, точка 6): индикаторът светва в зелено и се активира овлажняване с най-нисък интензитет (120 мл/ч);
 - Натиснете два пъти бутона за овлажняване: индикаторът светва в синьо и се активира овлажняване със среден интензитет (150 мл/ч);
 - Натиснете три пъти бутона за овлажняване: индикаторът светва в червено и се активира овлажняване с най-висок интензитет (180 мл/ч);
 - Натиснете четири пъти бутона за овлажняване: светлинният индикатор угасва и овлажняването спира.

Когато резервоарът е празен, индикаторът мига в червено (10x) и овлажняването спира автоматично. Другите функции остават активни.

Използване на етерични масла

За ароматизиране с органични етерични масла в стаята сипете няколко капки органично етерично масло (максимум 3-4 капки) направо във водата и след това поставете отново капака на резервоара (фиг. 3, точка 3).

▲ ПРЕДУПРЕЖДЕНИЕ

ДОПЪЛНИТЕЛНА ИНФОРМАЦИЯ, ОТНАСЯЩА СЕ ДО ИЗПОЛЗВАНЕТО НА ЕТЕРИЧНИ МАСЛА

- Преди да използвате етерични масла, осведомете се за отрицателните ефекти

върху здравето, които могат да се породят от използването на такива продукти.

- Винаги избирайте качествени етерични масла – чисти и 100% натурални, предназначени за ароматизатори. Използвайте ги умерено и с повишено внимание. Спазвайте указанията и предупрежденията, посочени в инструкциите за използване на етеричните масла, и обърнете внимание, че:
 - Използването на етерични масла е забранено за бременни жени и за лица с епилепсия, или такива, които страдат от астма или алергия, за хора със сърдечни проблеми или със сериозни заболявания.
 - Използването на етерични масла в стая на бебе (под 3 години) не трябва да бъде повече от 10 минути и е разрешено само когато бебето не е в стаята.
 - Следете децата и непълнолетните да не си играят с уреда и да не го използват.
 - Само няколко капки (максимум 3-4) етерично масло са достатъчни, за да се гарантира правилното функциониране на уреда и разпръскването на аромата. Прекомерната употреба на етерични масла може да повреди уреда.
 - Компанията Lاناofom не може да бъде държана отговорна за повреди, произтичащи от каквато и да е употреба, която противоречи на описаната в това ръководство.

Функция на нощна лампа

- Натиснете веднъж бутона за нощната лампа (фиг.1, точка 12): индикаторът светва и се активира режимът на нощна лампа;
- Натиснете два пъти бутона за нощната лампа: индикаторът угасва и режимът на нощна лампа се деактивира;

Функция на проектор на светлина

- Натиснете веднъж бутона на проектора на светлина (фиг. 1, точка 5): индикаторът светва в синьо и проекционната светлина се включва за период от 20 минути;
- Натиснете два пъти бутона на проектора на светлина: индикаторът светва в зелено и проекционната светлина се включва за неограничен период;
- Натиснете три пъти бутона на проектора на светлина: индикаторът угасва и проекционната светлина се изключва.

▲ ВНИМАНИЕ! ВЪПРЕКИ НАЛИЧИЕТО НА ПРЕДПАЗНО УСТРОЙСТВО, КОЕТО СПИРА РАБОТАТА НА ПРЕОБРАЗОВАТЕЛЯ, НЕ ОСТАВЯЙТЕ УРЕДА ВКЛЮЧЕН В ЕЛЕКТРИЧЕСКАТА МРЕЖА, КОГАТО НЕ ГО ИЗПОЛЗВАТЕ.

ПОДДРЪЖКА И СЪХРАНЕНИЕ

Винаги изключвайте овлажнителя от електрическата мрежа и изпразвайте съдържанието на резервоара, преди да почистите или приберете уреда.

Ако водата е твърда, т.е. ако съдържа твърде много калций и магнезий, в уреда може да се образува «бял налеп» и да се появи пяна по повърхността в резервоара, върху ултразвуковия преобразувател (керамична подложка, произвеждаща ултразвук) и върху вътрешните стени на резервоара за вода. Наличието на пяна по повърхността на ултразвуковия преобразувател не позволява на уреда да функционира правилно.

Нашите съвети:

- 1 Използвайте преварена и охладена вода или дестилирана вода при всяка употреба.
- 2 Почиствайте резервоара на всеки 3 дни, а преобразувателя всяка седмица.
- 3 Сменяйте редовно водата в резервоара, за да бъде тя винаги прясна – не я оставяйте да престоюва там повече от 2 дни.
- 4 Почиствайте уреда и проверявайте дали всички части са напълно сухи само когато уредът не се използва.

За да почистите преобразователя:

- 1 Завъртете водача на парата (фиг. 1, точка 9) по обратна на часовниковата стрелка посока, докато маркерите за отключване се изравнят, след което го извадете.
- 2 Поставете от 2 до 5 капки оцет на повърхността му и ги оставете да престоят от 2 до 5 минути.
- 3 Изчистете пяната от повърхността с помощта на мека четка. Не използвайте твърди инструменти за стъргане на повърхността.
- 4 Изплакнете преобразователя с чиста вода.
- 5 За почистване на преобразователя не използвайте сапун или други вещества, които имат свойства на основа.

За да почистите резервоара на уреда:

- 1 Почистете водния резервоар с помощта на мека кърпа и оцет, ако има пяна ИЛИ варовикови отлагания отвътре.
- 2 Ако пяната покрива ключа за безопасност, сипете няколко капки оцет и го почистете с четка.
- 3 Изплакнете водния резервоар с чиста вода.

Съхраняване:

- 1 Почистете и подсушете внимателно ултразвуковия овлажнител, като следвате инструкциите за поддръжка.
- 2 Оставете го да изсъхне напълно, преди да го приберете за съхранение. Не го прибирайте, ако има вода в основата.
- 3 Съхранявайте уреда на хладно и сухо място, далеч от обсега на деца.

ОТСТРАНЯВАНЕ НА ПРОБЛЕМИ

В случай че уредът не ще да работи при нормални условия, консултирайте се със следващата таблица:

Няма паротделяне и индикаторът не свети.

- ☉ Ако светлините не светят.
- ☉ Проверете дали уредът е включен и дали в контакта има ток.
- ☉ Нивото на водата в резервоара е много ниско.
- ☉ Добавете вода в резервоара.
- ☉ Изтичане на вода от резервоара.
- ☉ Проверете дали резервоарът е поставен правилно.
- ☉ Температурата на уреда е много ниска.
- ☉ Поставете уреда при стайна температура в продължение на половин час преди употреба.

Парата е с необичаен мирис.

- ☉ Водата в резервоара е застояла.
- ☉ Почистете резервоара и налейте чиста прясна, дестилирана или деминерализирана вода.

Интензитетът на парата е слаб.

- ② Твърде много (или твърде малко) вода в резервоара.
- ③ Изпразнете (или добавете) вода.
- ② Отлагания върху преобразувателя.
- ③ Почистете преобразувателя.
- ② Водата е твърде студена.
- ③ Използвайте вода със стайна температура.
- ② Водата не е чиста.
- ③ Почистете резервоара и налейте чиста прясна, дестилирана или деминерализирана вода.

Образува се конденз върху овлажнителя или прозорците.

- ② Интензитетът на парата е твърде висок за размера на стаята или предварително съществуващата влажност на стаята е висока.
- ③ Намалете интензитета на парата или изключете овлажнителя.

▲ ВНИМАНИЕ!

Изброените по-горе проблеми са примерни. Ако имате съмнения, не се опитвайте да ремонтирате уреда сами, а се свържете с доставчика или неговия сервизен център.

ТЕХНИЧЕСКИ ХАРАКТЕРИСТИКИ

- Модел: LA120122
- Напрежение: 100-240V~
- Честота: 50/60Hz
- Мощност: 25W
- Капацитет: 2.5L

**СЪВЕТИ ОТНОСНО ИЗВЪРЛЯНЕТО НА ОТПАДЪЦИТЕ**

Опаковката е направена изцяло от материали, които не представляват опасност за околната среда и които могат да бъдат предадени в центъра за преработване на отпадъци във вашата община, за да бъдат използвани като вторични суровини. Можете да оставите кашона в контейнер за събиране на хартия. Опаковъчното фолио трябва да предадете в центъра за преработване и рециклиране на отпадъци във вашата община.

След като престанете да използвате устройството, извършете го по начин, който не вреди на околната среда и е в съответствие с изискванията на законодателството.

ОГРАНИЧЕНА ГАРАНЦИЯ

LANAFORM гарантира, че този продукт не притежава материални и фабрични дефекти, считано от датата на закупуването му

за период от две години, с изключение на оточненията по-долу.

Гаранцията LANAFORM не покрива щетите, които са причинени от нормалното използване на продукта. Гаранцията на продукта LANAFORM не покрива също и щетите, които са причинени от неправилното или неподходящото му използване, както и от всяка друга неправилна употреба, злоупотреба, закрепване на неразрешени аксесоари, изменение, извършено върху продукта, или при всяко друго условие, независимо от неговото естество, което не може да се контролира от LANAFORM.

LANAFORM не носи отговорност за никаква допълнителна, последваща или специална щета.

Всяка друга имплицитна гаранция за годност на продукта се ограничава за период от две години, считано от датата на първоначалното му закупуване, с изискване за представяне на копие от документа, удостоверяващ продажбата.

След като получите Вашия уред, LANAFORM ще го поправи или подмени, в зависимост от обстоятелствата, и ще Ви го върне. Гаранцията се прилага единствено посредством Сервизния център на LANAFORM. Всяка дейност по поддръжката на този продукт, която е възложена на друго, различно от Сервизния център на LANAFORM, лице, анулира настоящата гаранция.

SVENSKA

- 📷 Fotografier och andra bilder på produkten i denna handbok och på emballaget är så verklighetstroga som möjligt men det finns ingen garanti att likheten med produkten är perfekt.

INLEDNING

Vi tackar dig för att du har köpt luftfuktaren för sval ånga "Moony" från LANAFORM. Tack vare ultraljudstekniken är "Moony" en hjälp att upprätthålla en adekvat luftfuktighet och att eliminera de olägenheter som uppstår när luften är torr. Dessutom och tack vare funktionen med nattlampa och stjärnprojektion med LED-belysning med växlande färger, förändras barnets rum till en magisk och lugnande plats för sömnen.

SÄKERHETSÅD**▲ LÄS ALLA ANVISNINGAR INNAN DU ANVÄNDER LUFTFUKTAREN, SÄRSKILT DE GRUNDLÄGGANDE SÄKERHETSÅDEN:**

- Använd endast denna produkt enligt föreskrifterna i denna bruksanvisning.
- Denna apparat är inte avsedd att användas av personer (däribland barn) vars fysiska förmåga, känsel eller mentala tillstånd är begränsade, eller personer som saknar erfarenhet eller kunskap, utom om de får hjälp av någon person som tar ansvar för deras säkerhet, om de övervakas eller får anvisningar i förväg om hur utrustningen ska användas. Det är lämpligt att övervaka barn för att förvissa sig om att de inte leker med produkten.
- Kontrollera att spänningen i ditt elnät motsvarar produktens.
- Ställ alltid luftfuktaren "Moony" på en hård, plan och horisontell yta. Håll den

alltid på avstånd från värmekällor som kaminer, radiatorer etc.
Obs! Om den inte ställs på en horisontell yta, kan den inte fungera korrekt.

- Se till att placera apparaten på en plats som inte kan nås av barn.
- Varken anslut eller koppla ifrån apparatens stickpropp med fuktiga händer.
- Om elsladden är skadad, ska den bytas ut till en liknande sladd eller en motsvarande sladd som finns hos leverantören eller dennes garantiservice.
- Utsätt inte apparaten för direkt solljus.
- Fyll behållaren med rent och friskt vatten som är destillerat eller demineraliserat.
- Montera aldrig isär apparaten, inte ens från dess basenhet.
- Starta inte apparaten när det inte finns vatten i behållaren.
- Skaka inte apparaten. Det kan göra att vatten rinner över i apparatens basenhet och påverkar dess funktion.

- Rör aldrig vattnet eller delarna när apparaten är igång.
- Om en onormal lukt känns vid användning enligt denna bruksanvisning, stänger du av apparaten, kopplar ifrån elkontaktken och låter den undersökas av leverantören eller dennes serviceombud.
- Håll inte i varmt vatten i behållaren, dvs. med en temperatur som överstiger 40°C.
- Dra ur kontakten till apparaten före rengöring eller innan du tar bort vattenbehållaren.
- Tvätta inte hela enheten i vatten och sänk inte ned den i vatten. Se rengöringsanvisningarna i denna bruksanvisning.
- Skrapa aldrig på omvandlaren med ett hårt verktyg. Luftfuktaren "Moony" ska rengöras regelbundet. För rengöring, se rengöringsråden i den här bruksanvisningen.
- Koppla alltid omedelbart ifrån en produkt som fallit ned i vatten innan den tas upp.
- En elektrisk apparat ska aldrig vara ansluten utan tillsyn. Koppla alltid ifrån den när den inte används.
- Håll elsladden på avstånd från varma ytor.
- Använd aldrig denna produkt i ett rum där aerosoler (sprayer) används eller i ett rum där man hanterar syrgas.
- Lagg aldrig kläder eller handdukar på apparatens ovandel. Om munstycket är igensatt, kan det leda till att apparaten fungerar illa.
- När apparaten flyttas, lyfter du den i basenheten och inte i vattenbehållaren.
- Använd aldrig luftfuktaren om luften i rummet redan är tillräckligt fuktig (minst 50 procent relativ luftfuktighet). Den relativa luftfuktigheten som är idealisk för människors trivsel ligger på mellan 45 procent och 55 procent. En för hög luftfuktighet framgår genom att det finns kondens på kalla ytor och väggar i rummet. För att korrekt fastställa rummets luftfuktighet används en hygrometer, som finns i de flesta specialistbutiker eller stormarknader.
- Rumstemperaturen ska alltid ligga mellan 5°C och 40°C.
- Luftfuktaren "Moony" är tillverkad för inomhusbruk och endast för hemmabruk.
- Använd endast ekologiska eteriska oljor i luftfuktaren. Se i bruksanvisningen i kapitlet om eteriska oljor hur man gör.
- Apparaten är endast avsedd för hemmabruk.
- För inte in något föremål i apparatens öppningar.

APPARATENS DELAR

- 1 Luftinlopp
- 2 Lampans lins

- 3 Elingång
- 4 Mätare på vattenbehållaren
- 5 Touchknapp för projektion
- 6 Touchknapp för luftfuktningen
- 7 Handtag
- 8 Behållarens lock
- 9 Ängledare
- 10 Vatteninlopp
- 11 Behållare
- 12 Touchknapp för lampan
- 13 Underrede
- 14 Luftmykning
- 15 Omvandlare
- 16 Läsmarkering
- 17 Lins för projektion

BRUKSANVISNING

Råd före användning

- Ta ut luftfuktaren ur förpackningen genom att lyfta upp den från basenheten och inte i handtaget.
- Försäkra dig om att den inte har några fel och kontrollera att den är ren innan du börjar använda den. Om du konstaterar defekter lämnar du in luftfuktaren till leverantören eller dennes garantiserviceombud.
- Ställ luftfuktaren "Moony" i rummet en halvtimme innan du sätter igång den, för att den ska få samma temperatur som rummet.
- Rumstemperaturen ska alltid ligga mellan 5°C och 40°C.
- Se till att den alltid står på en hård, horisontell och vattentålig yta. Håll den alltid på avstånd från elektriska apparater och värmekällor som kaminer, radiatorer etc. Håll den även på visst avstånd från väggar.
- Se till att placera apparaten på en plats som inte kan nås av barn.
- Före påfyllning, se till att ängledaren sitter på behållaren (se Påfyllning).
- För att tömma behållaren, försäkra dig om att vatten inte kommer in i luftkanalen via luftmyningen (fig. 2, punkt 14).

Påfyllning

- ▲ Före påfyllning, se till att ängledaren (fig. 1 punkt 9) sitter på behållaren! För att göra det, håll läsmarkeringarna mot varandra (fig. 2 punkt 16) och vrid sedan ängledaren medurs tills den fästs med låsklämmorna och att luftinloppet (fig. 1 punkt 1) och luftutloppet (fig. 2 punkt 14) stämmer överens.

Fyll på behållaren genom att följa figur 3:

- Ta bort locket från behållaren med hjälp av handtaget (fig. 3, punkt 1).

- Fyll på vattenbehållaren med rent vatten som är destillerat eller demineraliserat och som är maximalt 40°C (fig. 3, punkt 2). För bättre luftbefuktning och livslängd för produkten, se till att vattennivån ligger mellan den minimi- och maximinivå som anges på behållaren (fig. 1-2).
- Sätt dit locket (fig. 3, punkt 3).

▲ OBS!

- FYLL INTE på behållaren mer än nivåmarkeringen MAX.
- HÅLL INTE vatten i basenheten genom luftmyningen (fig. 2, punkt 14).
- HÅLL INTE eteriska oljor i projektionslin-sen (fig. 2, punkt 17).

Funktionen luftfuktning

- För in adaptorns ände med torra händer i elingången som sitter baktill på luftfuktaren (fig. 1, punkt 3).
- Luftfuktaren har tre ängstyrkor:
 - Tryck på luftfuktningssknappen (fig. 1, punkt 6) en gång: kontrolllampan lyser grönt och luftfuktningen aktiveras på den svagaste nivån (120 ml/h),
 - Tryck på luftfuktningssknappen två gånger: kontrolllampan lyser blått och luftfuktningen aktiveras på medelnivån (150 ml/h),
 - Tryck på luftfuktningssknappen tre gånger: kontrolllampan lyser rött och luftfuktningen aktiveras på den starkaste nivån (180 ml/h),
 - Tryck på luftfuktningssknappen fyra gånger: kontrolllampan släcks och luftfuktningen upphör.

När behållaren är tom blinkar kontrolllampan rött (x10) och luftfuktningen upphör automatiskt. De övriga funktionerna fortsätter att vara aktiverade.

Användning av eteriska oljor

För spridning av ekologiska eteriska oljor i rummet, håll några droppar ekologisk eterisk olja (maximalt 3–4) direkt i vattnet och sätt sedan ditt locket på behållaren (fig. 3, punkt 3).

▲ OBS!

KOMPLETTERANDE INFORMATION OM ANVÄNDNING AV ETERISKA OLJOR

- Innan du använder eteriska oljor ska du ta reda på de negativa effekterna för hälsan som kan bli resultatet vid användning av sådana produkter.
- Välj alltid eteriska oljor av god kvalitet: rena och 100 procent naturliga samt avsedda för spridning. Använd dem med

mätta och försiktigt. Följ anvisningarna och varningsföreskrifterna på de eteriska oljornas förpackningar och var särskilt uppmärksamt på:

- Att användning av eteriska oljor är förbjudet för gravida och personer med epilepsi eller som lider av astma eller allergi, för personer med hjärtproblem eller allvarliga sjukdomar.
- Att det i en barnkammare (för barn yngre än 3 år) endast är tillåtet att använda eteriska oljor i högst 10 minuter och detta endast när spädbarnet inte är närvarande i rummet.
- Se till att barn och minderåriga inte leker med apparaten och att de inte använder den.
- Endast några droppar (max. 3 till 4 droppar) eterisk olja räcker för att apparaten ska fungera väl och sprida doft. En överdriven användning av eteriska oljor kan skada apparaten.
- Lanaform kan inte hållas ansvarigt vid olycka som beror på användning som strider mot kraven i denna bruksanvisning.

Funktion med nattlampa

- Tryck på knappen för nattlampan (fig. 1, punkt 12) en gång: lampan tänds och läget för nattlampa är aktivt,
- Tryck på knappen för nattlampan två gånger: lampan släcks och läget för nattlampa är inaktivt.

Funktionen ljusprojektion

- Tryck på knappen för projektion (fig. 1, punkt 5) en gång: lampan lyser blått och ljusprojektionen är aktiv i 20 minuter,
- Tryck på projektningsknappen två gånger: lampan lyser grönt och ljusprojektionen är aktiv hela tiden,
- Tryck på knappen för nattlampan tre gånger: lampan släcks och läget ljusprojektion är inaktivt.

▲ OBS! TROTS SÄKERHETSANORDNINGEN SOM STÄNGER AV OMVANDLAREN SKA DU UNDVIKA ATT LÅTA APPARATENS ELKONTANT VARA ANSLUTEN NÄR DEN INTE ANVÄNDS.

UNDERHÅLL OCH FÖRVARING

Dra alltid ur elkontakten till luftfuktaren och töm ut innehållet i behållaren innan den torkas av och ställs undan för förvaring.

Om vattnet är hårt, dvs. om det innehåller för mycket kalk och magnesium, kan det avge ett "vitt puder" i apparaten och leda till ett

mycket kalkrester på botten, på omvandlaren (den keramiska tablettan som producerar ultraljudet) och på vattenbehållarens innerväggar. Beläggningen på omvandlaren gör att apparaten inte kan fungera korrekt.

Våra råd:

- 1 Använd kokt och avsvolat eller destillerat vatten vid varje användning.
- 2 Rengör behållaren varannan dag och rengör omvandlaren varje vecka.
- 3 Byt vatten i behållaren regelbundet för att det ska vara fräscht och lämna inte samma vatten i mer än två dagar.
- 4 Rengör hela apparaten och se till att alla delar är helt torra när den inte är i drift.

Att rengöra omvandlaren:

- 1 Vrid ångledaren (fig. 1, punkt 9) moturs tills upplåsningsmarkeringarna linjerar med varandra, och dra sedan ut ledaren.
- 2 Ta 2 till 5 droppar vinättika på ytan och vänta 2 till 5 minuter.
- 3 Borsta bort kalkresterna från ytan med en mjuk borste. Använd inte något hårt verktyg för att skrapa på ytan.
- 4 Skölj omvandlaren med rent vatten.
- 5 Använd inte tvål eller andra basiska substanser för att rengöra omvandlaren.

För att rengöra enhetens behållare:

- 1 Rengör behållaren med vatten med en mjuk duk och med vinäger om det finns orenheter eller kalkrester inuti.
- 2 Om slagg täcker säkerhetsbrytaren, lägg den i några droppar vinäger och rengör den med en borste.
- 3 Skölj behållaren med rent vatten.

Förvaring:

- 1 Rengör och torka noggrant ultraljudsluftfuktaren genom att följa underhållsanvisningarna.
- 2 Låt den torka helt före förvaring. Förvara den inte med vatten i behållaren.
- 3 Förvara apparaten på ett torrt och svalt ställe utom åtkomst för barn.

FEL OCH ÅTGÄRDER

Vid funktionsfel under normal användning, se följande tabell:

Ingen ånga, ingen kontrollampa.

- ☹ Inget ljusken.
- ☹ Kontrollera att apparaten är ansluten till vägguttaget eller om det föreligger ett fel på elnätet.
- ☹ Vattennivån i behållaren är för låg.
- ☹ Fyll på vatten i behållaren.
- ☹ Vattenläckage från behållaren.
- ☹ Kontrollera att behållaren är korrekt placerad.
- ☹ Enhetens temperatur är för låg.
- ☹ Placera enheten i ett rum i en halvtimme i förväg för att uppnå omgivande temperatur.

Ånga med ovanlig doft

- ☹ Vatten finns kvar sedan länge i behållaren.
- ☹ Rengör behållaren och håll i rent och friskt vatten som är destillerat eller demineraliserat.

Svag ånga.

- ☹ För mycket/lite vatten i behållaren.
- ☹ Töm (fyll på) vatten i behållaren.
- ☹ Avlagringar i omvandlaren.
- ☹ Rengör omvandlaren.
- ☹ Vattnet är för kallt.
- ☹ Använd rumstempererat vatten.
- ☹ Vattnet är inte rent.
- ☹ Rengör behållaren och håll i rent och friskt vatten som är destillerat eller demineraliserat.

Det bildas kondens på luftfuktaren eller på fönstren.

- ☹ Ångans styrka är för hög för rummets storlek eller om man väger in den redan befintliga fuktlufttigheten.
- ☹ Minska ångstyrkan eller stäng av luftfuktaren.

▲ OBS!

De fel som anges nedan är en vägledning. Vid frågor, försök inte att reparera apparaten själv utan vänd dig till leverantören eller dennes garantserviceombud.

TEKNISKA EGENSKAPER

- Modell: LA120122
- Spänning: 100–240V
- Frekvens: 50/60 Hz
- Effekt: 25W
- Kapacitet: 2.5L

RÅD ANGÅENDE AVFALLSHANTERING

Förpackningen är tillverkad av material som inte skadar miljön och som kan lämnas till sopstationen i er kommun. Kartongen kan slängas i kärlen för pappersavfall. Förpackningsfilmen skall lämnas till återvinningscentralen i er kommun.

När ni skall kassera apparaten, tänk då på miljön och följ reglerna för avfallshantering.

LITAUISKA

☑ Gaminio nuotraukos ir kiti vaizdai šiame vadove ir ant pakuotės yra kiek įmanoma tikslius, bet netvirtinama, kad jie tobulai atspindi gaminį.

ĮVADAS

Dekojame, kad įsigijote kompanijos LANAFORM drėkintuvą „Moony“ „trys viename“. Dėl ultragarasinės technologijos „Moony“ padeda atkurti tinkamą drėgmės lygį vaiko kambaryje ir pašalina su sausu oru susijusius nepatogumus. Be to, dėl naktinės lempelės naudojimo ir žvaigždžių projekcijos su besikeičiančių spalvų šviesos diodų lemputėmis, šis drėkintuvas Jūsų vaiko kambarį pavers stebuklinga, raminančia erdve miegui.

SAUGOS INSTRUKCIJOS

▲ PRIEŠ NAUDODAMI DRĖKINTUVĄ PERSKAITYKITE VISAS INSTRUKCIJAS, YPAČ KAI KURIAS IŠ ŠIŲ PAGRINDINIŲ SAUGOS INSTRUKCIJŲ:

- Šį prietaisą naudokite tik taip, kaip aprašyta šiame vadove.
- Šis prietaisas neskirtas naudoti asmenims, įskaitant vaikus, kurių fiziniai, jutimo ar protiniai sugebėjimai yra susilpnėję, arba asmenims, kurie neturi pakankamai patirties ar žinių, išskyrus tuos atvejus, kai juos prižiūri už jų saugumą atsakingas asmuo arba jiems gavus išankstinius nurodymus dėl prietaiso naudojimo. Vaikus reikia prižiūrėti, siekiant užtikrinti, kad jie su prietaisu nežaistų.
- Patikrinkite, ar Jūsų tinklo įtampa atitinka prietaiso įtampą.
- Drėkintuvą „Moony“ visada statykite ant tvirto, lygaus ir horizontalaus paviršiaus. Laikykite jį atokiai nuo sienų ir šilumos šaltinių, pavyzdžiui, viryklė, radiatorų ir kt.

BEGRĀNSAD GARANTI

LANAFORM garantuoja, kad per du mėnesius nuo pirkimo dienos produktas nebus sugadintas dėl gamybos trūkumų, išskyrus atvejus, kai sugadavimas atsiranda dėl netinkamo naudojimo, o ne dėl gamybos trūkumų.

LANAFORM:s garantija apima visą produktą, išskyrus atvejus, kai sugadavimas atsiranda dėl netinkamo naudojimo, o ne dėl gamybos trūkumų. Ši garantija apima visą produktą, išskyrus atvejus, kai sugadavimas atsiranda dėl netinkamo naudojimo, o ne dėl gamybos trūkumų.

Dėmesio: Drėkintuvo nepastačius ant horizontalaus paviršiaus, prietaisas gali tinkamai neveikti.

- Prietaisą statykite vaikams nepasiekiamoje vietoje.
- Prietaiso maitinimo kištuko neprijunkite ir neatjunkite šlapiomis rankomis.
- Jei maitinimo laidas sugadintas, jį būtina pakeisti panašiu laidu, gautu iš tiekėjo, arba garantinio aptarnavimo skyriuje.
- Prietaiso nepalikite tiesioginiuose saulės spinduliuose.
- Talpą užpildykite švariu ir šviežiu – distiliuotu arba demineralizuotu – vandeniu.
- Neišmontuokite viso prietaiso ar tik pagrindinio jo bloko.
- Neįjunkite prietaiso prieš tai jį neįpylę vandens.
- Nepurtykite prietaiso. Purtant prietaisą, jį pagrindinį bloką gali patekti vandens ir tai turės įtakos prietaiso veikimui.
- Niekada nelieskite vandens ir prietaiso sudedamųjų dalių, kai prietaisas veikia.
- Jei naudodami prietaisą kaip aprašyta šiame vadove, pajusite neįprastą kvapą, išjunkite prietaisą, atjunkite jį iš maitinimo lizdo ir nuneškite, kad jį patikrintų tiekėjas arba tiekėjo aptarnavimo skyriaus darbuotojai.
- Į talpą nepilkite šilto vandens, t. y. šiltesnio nei 40°C temperatūros.
- Atjunkite prietaisą prieš valydami arba išimdami talpą.
- Viso prietaiso neplaukite vandeniu ir neįmerkite jo į vandenį. Žr. valymo instrukcijas šiame vadove.
- Plokštelės niekada nebrazdykite kietu daiktu. Drėkintuvą „Moony“ reikia valyti reguliariai. Norėdami tai padaryti, žr. šiame vadove pateiktas valymo instrukcijas ir jomis vadovaukitės.

LANAFORM can not be held responsible for indirect or specific damage.

Varje underförstådd utfästelse som rör produktens lämplighet är begränsad till en tid av två år från dagen för första inköp, så länge ett exemplar av inköpsbeviset kan företes.

Vid mottagandet reparerar eller byter LANAFORM efter eget fritt skön din apparat och skickar tillbaka den till dig. Denna garanti gäller endast via LANAFORM:s Service Centre. Varje försök att utföra service på denna produkt av annan än LANAFORM:s Service Centre gör att denna garanti upphör att gälla.

- Prietaisui įkritis į vandenį, nedelsdami atjunkite jį nuo maitinimo tinklo.
- Įjungto elektros prietaiso niekada nereikėtų palikti be priežiūros. Kai prietaiso nenaudojate, atjunkite jį.
- Maitinimo laidą laikykite atokiai nuo karštų paviršių.
- Niekada šio prietaiso nenaudokite kambaryje, kuriame naudojami aerosoliniai produktai (purškikliai), arba patalpoje, kurioje tiekiamas deguonis.
- Ant prietaiso nedėkite drabužių ar rankšluosčių. Užblokavus antgalį prietaisas gali sugesti.
- Perkeliant prietaisą, pakelkite jį laikydami už pagrindo, o ne už vandens talpos.
- Drėkintuvo nenaudokite, jei oras kambaryje jau yra pakankamai drėgnas (bent 50 % santykinės drėgmės). Iš tiesų ideali santykinė drėgmė žmogaus komfortui yra nuo 45 % iki 55 %. Per didelė drėgmė susidaro dėl ant šaltų paviršių ar šaltų kambario sienų susikaupusios perteklinės drėgmės. Jei norite tinkamai apibrėžti kambario drėgmės lygį, naudokite higrometrą, kurį galima įsigyti įprastose parduotuvėse ar prekybos centruose.
- Patalpos temperatūra visada turėtų būti nuo 5 °C iki 40 °C laipsnių.
- Drėkintuvas „Moony“ skirtas naudoti tik viduje, namuose.
- Drėkintuve naudokite tik ekologiškus eterinius aliejus. Apie tai, kaip tai padaryti, skaitykite skyrių apie eterinių aliejų naudojimą.
- Prietaisas skirtas naudoti tik namuose.
- Į prietaiso angas nekiskite jokių daiktų.

ĮRENGINIO SUDĖTINĖS DALYS

- 1 Oro įleidimo anga
- 2 Naktinės lempučių objektyvas
- 3 Nuolatinės srovės jungiklio įvestis

- 4 Vandens talpos matuoklis
- 5 Jutiklinis projekcijos mygtukas
- 6 Jutiklinis drėkinimo mygtukas
- 7 Rankena
- 8 Talpos dangtis
- 9 Garų skleistuvus
- 10 Vandens įleidimo anga
- 11 Talpa
- 12 Jutiklinis naktinės lempelės mygtukas
- 13 Pagrindas
- 14 Oro išleidimas
- 15 Plokštelė
- 16 Fiksavimo žymė
- 17 Projektoriaus objektyvas

NAUDOJIMO INSTRUKCIJA

Instrukcijos prieš naudojant prietaisą

- Išimkite drėkintuvą iš pakuotės jį keldami už pagrindo, o ne už rankenos.
- Prieš pradėdami juo naudotis, patikrinkite, ar jis nesugadintas ir ar prietaisas švarus. Jei drėkintuvas sugadintas, grąžinkite jį tiekėjui arba į tiekėjo aptarnavimo skyrių.
- Prieš įjungdami, drėkintuvą „Moony“ pastatykite kambaryje ir palaikykite pusę valandos, kad jis prisitaikytų prie aplinkos temperatūros.
- Patalpos temperatūra visada turėtų būti nuo 5 °C iki 40 °C laipsnių.
- Patikrinkite, ar prietaisas pastatytas ant tvirto, horizontalaus ir palaikykite pusę paviršiaus. Drėkintuvą laikykite atokiai nuo tokių elektros prietaisų ir šilumos šaltinių kaip viryklės, radiatoriai ir kt. Taip pat traukite jį toliau nuo sienų.
- Prietaisą statykite vaikams nepasiekiamoje vietoje.
- Prieš pripildydami, pasirūpinkite, kad garų skleistuvus būtų įdėtas į talpą (žr. „Pripildymas“).
- Norėdami išleisti vandenį iš talpos įsitiškinkite, kad jis nepatektų į kaminą per oro išmetamąją angą, (2 pav., 14 punktas).

Užpildymas

▲ Prieš pripildydami, pasirūpinkite, kad garų skleistuvus (1 pav., 9 punktas) būtų įdėtas į talpą. Sulygiuokite fiksavimo žymes (2 pav., 16 punktas), tuomet pasukite garų skleistuvą pagal laikrodžio rodyklę, kol fiksuojamosios kojelės nebeils jam judėti ir oro įleidimo anga (1 pav., 1 punktas), ir oro išleidimo anga (2 pav. 14 punktas) sutaps.

Užpildykite talpą vadovaudamiesi 3 pav. pateiktai nurodymais:

- Talpos dangtį nuimkite pakeldami jį už rankenos (3 pav., 1 punktas).

- Į talpą įpilkite distiliuoto ar demineralizuoto švaraus vandens, kurio temperatūra nebūtų didesnė nei 40 °C (3 pav., 2 punktas). Kad pailgėtų produkto eksploatavimo trukmė ir būtų užtikrinamas tinkamas drėkinimas, pasirūpinkite, kad vandens lygis būtų tarp minimalaus ir maksimalaus lygio žymės (1-2 pav.).
- Uždenkite dangtelį (3 pav., 3 punktas).

▲ DĖMESIO

- NEPILKITE vandens į talpą virš žymės MAX.
- NEPILKITE vandens į pagrindą per oro išleidimo angą (2 pvz., 14 punktas).
- NEPILKITE eterinių aliejų pro projektoriaus objektyvą (2 pav., 17 punktas).

Oro drėkinimo funkcija

- Sausomis rankomis adapterio galą įkiškite į nuolatinės srovės jungiklio įvestį drėkintuvo gale (1 pav., 3 punktas).
- Drėkintuvas turi 3 sklaidos intensyvumus:
 - Vieną kartą paspauskite drėkinimo mygtuką (1 pav., 6 punktas): šviečia žalia indikatoriaus lemputė ir aktyvinamas drėkinimas mažiausiu intensyvumu (120 ml / val.);
 - Du kartus paspauskite drėkinimo mygtuką: šviečia mėlyna indikatoriaus lemputė ir aktyvinamas drėkinimas vidutiniu intensyvumu (150 ml / val.);
 - Tris kartus paspauskite drėkinimo mygtuką: šviečia raudona indikatoriaus lemputė ir aktyvinamas drėkinimas didžiausiu intensyvumu (180 ml / val.);
- Drėkinimo mygtuką paspauskite keturis kartus: išsijungia indikatoriaus lemputė ir drėkinimas sustabdomas.

Kai vandens talpa tuščia, mirksi raudona indikatoriaus lemputė (x10) ir drėkintuvas automatiškai sustabdomas. Kitos funkcijos veikia toliau.

Eterinių aliejų naudojimas

Norėdami kambaryje paskleisti ekologiškus eterinius aliejus, įlašinkite kelis ekologiškų eterinių aliejų lašelius (ne daugiau kaip 3-4) tiesiai į vandenį ir vėl uždėkite talpos dangtį (3 pav., 3 punktas).

▲ ĮSPĖJIMAS

PAPILDOMA INFORMACIJA, SUSIJUSI SU ETERINIŲ ALIEJŲ NAUDOJIMU

- Prieš naudodami eterinius aliejus, išsiaiškinkite apie neigiamą šių produktų poveikį sveikatai.
- Visada rinkitės kokybiškus eterinius aliejus: grynus ir 100 % natūralius eterinius aliejus, skirtus skleisti. Naudokite juos taupiai

ir atsargiai. Vadovaukitės nurodymais ir įspėjimais, nurodytais ant eterinių aliejų pakuočių, atkreipdami ypatingą dėmesį jai, kad:

- eterinius aliejus draudžiama naudoti nėščioms moterims ir epilepsija, astma ir alergija sergantiems žmonėms, taip pat žmonėms, sergantiems širdies ir kitomis sunkiomis ligomis.
- Kūdikiu (iki 3 metų amžiaus) kambaryje eterinius aliejus leidžiama naudoti ne ilgiau nei 10 minučių ir tik tais atvejais, kai kūdikio nėra kambaryje.
- Užtikrinkite, kad vaikai ir nepilnamečiai nežaistų su prietaisu.
- Pakanka vos kelių eterinio aliejaus lašelių (ne daugiau nei 3-4 lašelių), kad užtikrintumėte tinkamą prietaiso veikimą ir eterio sklaidimą. Eterinius aliejus naudojant pernelyg dažnai prietaisas gali sugesti.
- Kompanija „Lanaform“ negali būti laikoma atsakinga už bet kokią atsitiktinę žalą, atsiradusią dėl bet kokio naudojimo, prieštaraujancio šiame naudotojo vadove pateiktoms instrukcijoms.

Naktinės lempelės naudojimas

- Vieną kartą paspauskite naktinės lempelės mygtuką (1 pav., 12 punktas): įsižiebia lemputė ir įjungiamas naktinės lempelės režimas;
- Du kartus paspauskite naktinės lempelės mygtuką: užgesa lemputė ir išjungiamas naktinės lempelės režimas;

Apšvietimo projekavimo funkcija

- Vieną kartą paspauskite projektoriaus mygtuką (1 pav., 5 punktas): įsižiebia mėlyna lemputė ir šviesos projekcija įjungiama 20-čiai minučių;
- Du kartus paspauskite projektoriaus mygtuką: įsižiebia žalia lemputė ir šviesos projekcija veikia nepertraukiamai;
- Tris kartus paspauskite projektoriaus mygtuką: šviesos lemputė užgesa ir šviesos projekcija išjungiama.

▲ DĖMESIO: NENAUDOKITE SAUGOS PRIETAISO, KURIS NUTRAUKTŲ PLOKŠTELĖS VEIKIMĄ, NEPALIKITE PRIETAISO ĮJUNGTO Į MAITINIMO TINKLĄ, KAI JO NENAUDOJATE.

PRIEŽIŪRA IR LAIKYMAS

Drėkintuvą visada išjunkite ir išpilkite talpoje esantį vandenį, tik tada jį išvalykite arba sutvarkykite.

Jei vanduo kietas, t. y., jei jame yra per daug kalcio ir magnio, prietaise gali likti „baltų milnelių“, o ant prietaiso pagrindo, ultragarasinės keraminės plokštelės ir vidinių vandens talpos sienelių gali susidaryti apnašų sluoksnis. Ant plokštelės nusėdusios putos neleidžia prietaisui tinkamai veikti.

Mūsų patarimai:

- 1 Kaskart naudokite užvirintą ir atvėsintą arba distiliuotą vandenį.
- 2 Vandens talpą valykite kas 3 dienas, o plokštelę valykite kartą per savaitę.
- 3 Vandens talpoje vandenį keiskite reguliariai, kad jis išliktų šviežias. Neleiskite jam stovėti ilgiau nei 2 dienas.
- 4 Išvalykite visą prietaisą ir įsitinkinkite, kad prietaiso nenaudojant visos jo dalys yra sausas.

Kaip valyti plokštelę:

- 1 Garų skleistuvą (1 pav., 9 punktą) pasukite prieš laikrodžio rodyklę, kol fiksavimo žymės susilygiuos, tada ištraukite konduktorių.
- 2 Ant paviršiaus užlašinkite 2-5 lašus acto ir palikite 2-5 minutes.
- 3 Nuo paviršiaus nuvalykite nuosėdas naudodami minkštą šepetėlį. Valydami paviršių nenaudokite kieto daikto.
- 4 Plokštelę praplaukite švariu vandeniu.
- 5 Plokštelei valyti nenaudokite muilo ar kitų įprastų medžiagų.

Kaip valyti vidinę talpą:

- 1 Jei viduje yra nuosėdų ARBA kalkių, talpą praplaukite vandeniu, naudodami minkštą skudurėlį ir actą.
- 2 Jei apsauginis pertraukiklis padengtas putomis, įlašinkite kelis lašus acto ir nuvalykite naudodami šepetėlį.
- 3 Talpą praplaukite švariu vandeniu.

Laikymas:

- 1 Drėkintuvą su ultragarasine plokštele valykite vadovaudamiesi priežiūros instrukcijomis.
- 2 Prieš padėdami sandėliuoti, leiskite visiškai išdžiūti. Nesandėliuokite, jei prietaise liko vandens.
- 3 Sandėliuokite prietaisą vėsioje, sausoje vietoje, vaikams nepasiekiamoje vietoje.

GEDIMAI IR JŲ SPRENDIMAI

Gedimo atveju, kai prietaisas buvo naudojamas įprastai, vadovaukitės toliau pateikta lentele:

Neskleidžiamas garas, indikatoriaus lemputė nedega.

- ⊗ Jei nedega šviesa.
- ⊗ Patikrinkite, ar prietaisas įjungtas arba jei sektoriaus lygys nėra gedimo.
- ⊗ Vandens lygis talpoje per mažas.
- ⊗ Į talpą įpilkite vandens.
- ⊗ Iš talpos prateka vanduo.
- ⊗ Patikrinkite, ar bakas yra teisingoje padėtyje.
- ⊗ Prietaiso temperatūra yra per žema.
- ⊗ Prieš naudodami prietaisą, jį pastatykite kambaryje ir kambario temperatūroje palaikykite pusvalandį.

Skleidžiamas neįprasto kvapo garas.

- ⊗ Vanduo talpoje užsistovėjo pernelyg ilgai.
- ⊗ Išvalykite talpą ir užpildykite švariu ir šviežiu vandeniu – distiliuotu arba mineralizuotu.

Skleidžiamas silpnas garas.

- ⊗ Talpoje per daug (per mažai) vandens.
 - ⊗ Išpilkite (pripilkite) vandens.
 - ⊗ Ant plokštelės yra nuosėdų.
 - ⊗ Nuvalykite plokštelę.
 - ⊗ Vanduo per šaltas.
 - ⊗ Naudokite kambario temperatūros vandenį.
 - ⊗ Vanduo nešvarus.
 - ⊗ Išvalykite talpą ir užpildykite švariu ir šviežiu vandeniu – distiliuotu arba demineralizuotu.
- Ant drėkintuvo arba ant langų susikaupę perteklinė drėgmė.**
- ⊗ Skleidžiamas garas yra pernelyg intensyvus kambario dydžiui arba pagal jo buvusį drėgmės lygį.
 - ⊗ Sumažinkite garų skleidimo intensyvumą arba išjunkite drėkintuvą.

▲ DĖMESIO

Toliau pateikti gedimų pavyzdžiai yra tik orientaciniai. Jei dvejojate, nebandykite taisyti prietaiso patys, tačiau kreipkitės į tiekėją arba jo aptarnavimo skyrių.

TECHNINĖS CHARAKTERISTIKOS

- Modelis: LA120122
- Įtampa: 100-240 V~
- Dažnis: 50/60 Hz
- Galingumas: 25 W
- Talpa: 2,5 l

⚠ PATARIMAS DĖL ATLIEKŲ ŠALINIMO.

Visa pakuotė sudaryta iš medžiagų, kurios nekelia jokio pavojaus aplinkai ir kurias galima pašalinti vietiniame atliekų rūšiavimo centre, kad būtų galima jas perdirbti. Kartoną galima išmesti į popieriui skirtą šiukšlėdežę. Pakuotės plėvelę reikia nuvežti į vietinį atliekų rūšiavimo ir perdirbimo centrą.

Baigę naudoti įrenginį, utilizuokite jį ekologiškai būdu ir laikydamiesi įstatymų.

RIBOTOJI GARANTIJA

LANAFORM garantuoja, kad šis gaminys dvejus metus nuo pirkimo datos neturės medžiagos ar gamybos defektų, išskyrus toliau aprašytas aplinkybes.

LANAFORM garantija neapima žalos, atsiradusios dėl normalaus gaminio dėvėjimosi. Be to, garantija, taikoma šiam LANAFORM gaminiui, neapima žalos, atsiradusios dėl piktnaudžiavimo, netinkamo arba neteisingo naudojimo, nelaimingų atsitikimų, nepatvirtintų priedų naudojimo, gaminio pakeitimų ar bet kokių kitų aplinkybių, kurių nekontroliuoja LANAFORM.

LANAFORM gali būti nelaikoma atsakinga už bet kokią atsitiktinę, netiesioginę arba konkrečią žalą.

Visos numanomos garantijos, susijusios su gaminio tinkamumu, ribotos dvejų metų laikotarpiui nuo pirkimo datos, jei naudotojas gali pateikti pirkimo įrodymo kopiją.

Gavusi įrenginį, įmonė LANAFORM savo nuožūra suremontuos arba pakeis jūsų prietaisą ir grąžins jį jums. Garantija galioja tik naudojantis LANAFORM techninės priežiūros centro paslaugomis. Jei šio gaminio priežiūrą bandys atlikti bet koks asmuo, kuris nėra LANAFORM techninės priežiūros centro specialistas, garantija nustos galioti. Gaminio nuotraukos ir kiti vaizdai šiame vadove ir ant pakuotės yra kiek įmanoma tikslūs, bet netvirtinama, kad jie tobulai atspindi gaminį.



2 YEAR WARRANTY

Moony
LA120122//LOT 001

MANUFACTURER & IMPORTER
LANAFORM SA

POSTAL ADDRESS
Rue de la Légende, 55
4141 Louveigné, Belgium

Tel. +32 4 360 92 91
info@lanaform.com
www.lanaform.com

LANAFORM